

## Straight; 90° & 45°; Self-Lock

Connector Group J

MIL-DTL-26482 Series II; MIL-DTL-83723 Series III; AS50151; AS81703

M85049	/82	-10	W	03
SERIES	SLASH #	ACCESSORY SHELL SIZE	FINISH	ENTRY SIZE
	82: Straight 83: 45° 84: 90°	Table A	N : Electroless Nickel P : Cadmium w/ Exposed Nickel Z : Black Zinc Nickel W : Cadmium Olive Drab over Electroless Nickel ZP: Black Zinc Nickel w/ Exposed Nickel	Table A

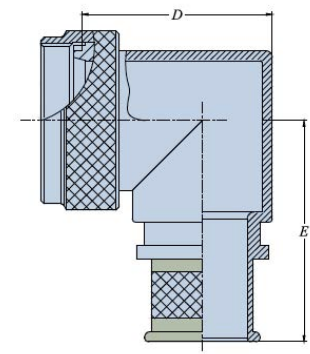
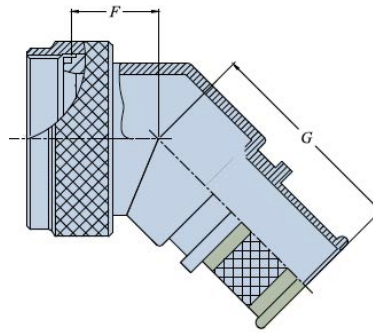
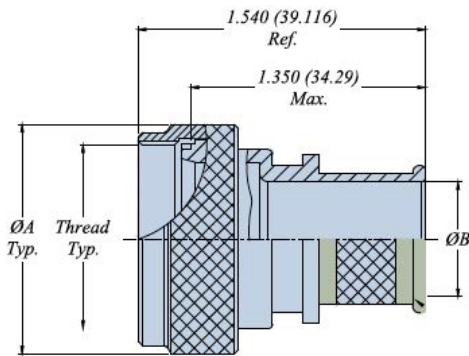


TABLE A

Accessory Shell Size	Entry Size	Connector Shell Size	A Ø Max.		B Ø . Max.		C Max.		D Max.		E Max.		F Max.		G Max.	
			inch	mm	+0.00 / -0.02	+0.00 / -0.50	inch	mm	inch	mm	inch	mm	inch	mm	inch	mm
08	03	8	0.89	22.48	0.26	6.60	0.87	22.10	1.16	29.46	1.19	30.18	1.42	35.99	0.56	14.22
10	03	10	1.01	25.65	0.32	8.13	0.89	22.61	1.18	29.97	1.28	32.54	1.48	37.59	0.63	16.00
12	02	7 / 12	1.14	28.83	0.32	8.13	0.92	23.37	1.20	30.48	1.41	35.71	1.54	39.17	0.63	16.00
	03				0.45	11.43									0.75	19.05
14	02	12 / 14	1.26	32.00	0.45	11.43	0.94	23.88	1.22	30.99	1.53	38.89	1.61	40.77	0.75	19.05
	03				0.57	14.48									0.89	22.61
16	02	19 / 16	1.39	35.18	0.51	12.95	0.96	24.38	1.25	31.75	1.66	42.06	1.67	42.34	0.82	20.83
	03				0.64	16.26									0.95	24.13
18	02	27 / 18	1.51	38.35	0.64	16.26	0.98	24.89	1.26	32.00	1.72	43.64	1.73	43.94	0.95	24.13
	03				0.76	19.30									1.07	27.18
20	02	37 / 20	1.64	41.53	0.64	16.26	1.00	25.40	1.29	32.77	1.84	46.84	1.79	45.52	0.95	24.13
	03				0.82	20.83									1.13	28.07
22	02	22	1.76	44.70	0.70	17.78	1.03	26.16	1.31	33.27	1.94	49.23	1.85	46.99	1.02	25.99
	03				0.95	24.13									1.26	32.00
24	02	24	1.89	47.88	0.76	19.30	1.05	26.67	1.34	34.04	2.09	53.16	1.92	48.69	1.07	27.18
	03				1.01	25.65									1.32	33.53
28	02	28	2.14	54.23	0.89	22.61	1.10	27.94	1.38	35.05	2.53	64.29	2.04	51.87	1.19	30.23
	03				1.14	28.96									1.47	37.34