

## STRAIGHT

## Connector Group K

MIL-DTL-38999 Series I & II

M85049	58	-10	W
SERIES	SLASH #	DASH #	FINISH
	58: Straight	Table A	N: Aluminum, Electroless Nickel Z: Aluminum, Zinc Nickel

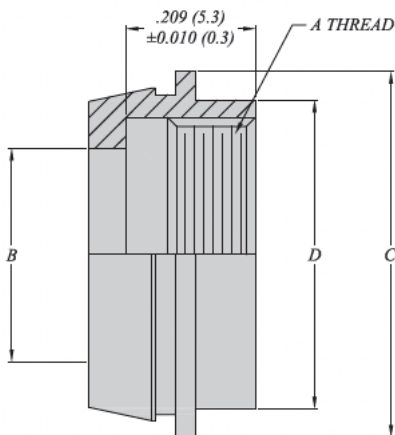


TABLE-A

DASH #	SHEL SIZE		A THREAD UNEFC CLASS 2A	ØB ±0.005 (0.13)		Ø C Max.		ØD +0.006 (0.15) -0.005 (0.13)	
	Series II	Series I		inch	mm	inch	mm	inch	mm
8	8	9	0.4375-28	0.344	8.74	0.600	15.24	0.500	12.70
10	10	11	0.5625-24	0.472	11.99	0.726	18.44	0.625	15.88
12	12	13	0.6875-24	0.586	14.88	0.850	21.59	0.750	19.05
14	14	15	0.8125-20	0.711	18.06	0.976	24.79	0.875	22.23
16	16	17	0.9375-20	0.836	21.23	1.102	27.99	1.000	25.40
18	18	19	1.0625-18	0.942	23.93	1.226	31.14	1.125	28.58
20	20	21	1.1875-18	1.067	27.10	1.352	34.34	1.250	31.75
22	22	23	1.3125-18	1.192	30.28	1.476	37.49	1.375	34.93
24	24	25	1.4375-18	1.317	33.45	1.602	40.69	1.500	38.10