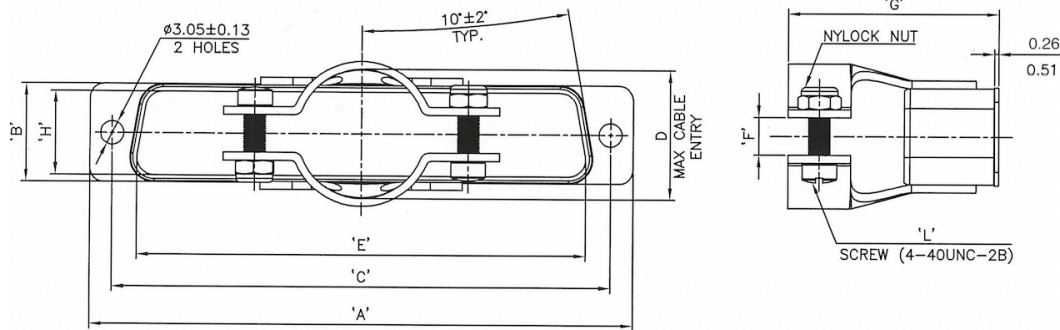


M85049	/48-2	-3	F
SERIES	SLASH #	DASH #	BASE MATERIAL
	D-Sub Backshell	Table A	F: Cadmium Yellow Passivation N: Electroless Nickel



DASH #	Part Number		# of Pins		A		B		C		D		E	
	Cadmium Yellow Passivation	Electroless Nickel	Std. Density	High Density	inch	mm	inch	mm	inch	mm	inch	mm	inch	mm
1	M85049/48-2-1F	M85049/48-2-1N	9	15	1.223	31.06	.515	13.08	.989	25.12	0.406	10.31	.676	17.17
					1.193	30.30	.485	12.32	.979	24.87			.646	16.41
2	M85049/48-2-2F	M85049/48-2-2N	15	26	1.546	39.27	.515	13.08	1.317	33.45	0.406	10.31	.999	25.37
					1.516	38.51	.485	12.32	1.307	33.20			.969	24.61
3	M85049/48-2-3F	M85049/48-2-3N	25	44	2.093	53.16	.515	13.08	1.857	47.17	0.593	15.06	1.530	38.86
					2.063	52.40	.485	12.32	1.847	46.91			1.500	38.10
4	M85049/48-2-4F	M85049/48-2-4N	37	62	2.733	69.42	.515	13.08	2.505	63.63	0.718	18.24	2.186	55.52
					2.703	68.66	.485	12.32	2.495	63.37			2.156	54.76
5	M85049/48-2-5F	M85049/48-2-5N	50	78	2.640	67.06	.624	15.85	2.411	61.24	0.812	20.62	2.108	53.54
					2.610	66.29	.594	15.09	2.401	60.99			2.078	52.78

DASH #	Part Number		# of Pins		F		G		H		L	
	Cadmium Yellow Passivation	Electroless Nickel	Std. Density	High Density	inch	mm	inch	mm	inch	mm	+/-0.031; +/-0.78	
											inch	mm
1	M85049/48-2-1F	M85049/48-2-1N	9	15	.140	3.56	1.061	26.95	.359	9.12	0.375	9.53
					.110	2.79	1.001	25.43	.329	8.36		
2	M85049/48-2-2F	M85049/48-2-2N	15	26	.140	3.56	1.061	26.95	.359	9.12	0.375	9.53
					.110	2.79	1.001	25.43	.329	8.36		
3	M85049/48-2-3F	M85049/48-2-3N	25	44	.202	5.13	1.092	27.74	.359	9.12	0.375	9.53
					.172	4.37	1.032	26.21	.329	8.36		
4	M85049/48-2-4F	M85049/48-2-4N	37	62	.265	6.73	1.092	27.74	.359	9.12	0.500	12.70
					.235	5.97	1.032	26.21	.329	8.36		
5	M85049/48-2-5F	M85049/48-2-5N	50	78	.327	8.31	1.092	27.74	.453	11.51	0.625	15.88
					.297	7.54	1.032	26.21	.423	10.74		