

NON-SELF & SELF LOCKING, MS "V" THREAD ADAPTER BACKSHELLS

45° Connector Group J

MIL-DTL-26482 Series II; MIL-DTL-83723 Series III; AS50151; AS81703; AS95234

M85049	145	S	16	W	08
SERIES	SLASH #	LOCK	SHELL SIZE	FINISH	ENTRY SIZE
	145: 45°	S: Detented Self-Locking N: Non -Detented Self-Locking (Dash): Non -Self-Locking	Table A	W: Aluminum, Cadmium Olive Drab Z: Aluminum, Zinc Nickel N: Aluminum, Electroless Nickel	Table B

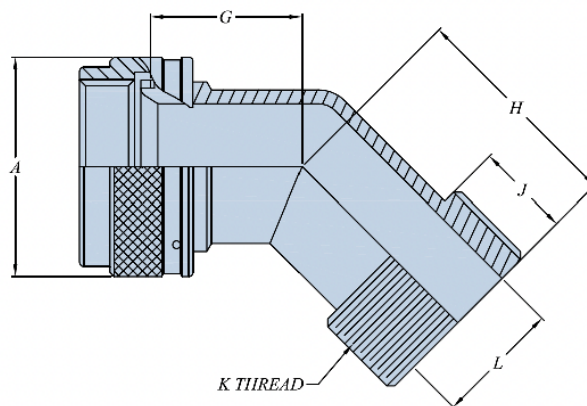


TABLE-A

SHELL SIZE	ENTRY SIZE	AS81703 SERIES III SHELL SIZE (REF)	MIL-DTL-26482 SERIES II & MILDTL-83723 SERIES III SHELL SIZE (REF)	AS50151 SERIES II & III SHELL SIZE (REF)	AS95234 SHELL SIZE (REF)	ØA Max				G Max		H Max	
						Self Locking		Non Self Locking		inch	mm	inch	mm
						inch	mm	inch	mm				
03	03	3	-	-	-	0.885	22.48	0.669	16.99	1.00	25.40	1.05	26.67
08	03	-	8	8S	-	0.885	22.48	0.617	15.67	1.00	25.40	1.05	26.67
10	04	-	10	10S & 10SL	10SL	1.010	25.65	0.734	18.64	1.02	25.91	1.07	27.18
12	06	7	12	12S & 12	-	1.135	28.83	0.858	21.79	1.05	26.67	1.10	27.94
14	08	12	14	14S & 14	14S	1.260	32.00	0.984	24.99	1.06	26.92	1.11	28.19
16	10	19	16	16S & 16	16S & 16	1.385	35.18	1.112	28.24	1.09	27.69	1.14	28.96
18	12	27	18	18	18	1.510	38.35	1.218	30.94	1.11	28.19	1.15	29.21
20	12	37	20	20	20	1.635	41.53	1.345	34.16	1.13	28.70	1.18	29.97
22	16	-	22	22	22	1.760	44.70	1.468	37.29	1.16	29.46	1.21	30.73
24	16	-	24	24	24	1.885	47.88	1.593	40.46	1.18	29.97	1.23	31.24
28	24	-	-	28	28	2.135	54.23	1.969	50.01	1.23	31.24	1.40	35.56
32	28	-	-	32	32	2.395	60.83	2.219	56.36	1.28	32.51	1.45	36.83
36	28	-	-	36	36	2.635	66.93	2.469	62.71	1.33	33.78	1.49	37.85
40	32	-	-	40	-	2.885	73.28	2.719	69.06	1.37	34.80	1.60	40.64
44	32	-	-	44	-	3.135	79.63	2.969	75.41	1.42	36.07	1.65	41.91
48	40	-	-	48	-	3.385	85.98	3.219	81.76	1.47	37.34	1.76	44.70

NON-SELF & SELF LOCKING, MS "V" THREAD ADAPTER BACKSHELLS

45° Connector Group J

MIL-DTL-26482 Series II; MIL-DTL-83723 Series III; AS50151; AS81703; ; AS95234

TABLE B CABLE ENTRY DIMENSIONS					
ENTRY SIZE	J REF		K THREAD CLASS 2A	L WIRE BUNDLE ACCOMMODATION MAX	
	inch	mm		inch	mm
03	0.44	11.18	0.500-28 UNEF	0.250	6.35
04	0.44	11.18	0.625-24 UNEF	0.312	7.92
06	0.44	11.18	0.750-20 UNEF	0.438	11.13
08	0.44	11.18	0.875-20 UNEF	0.562	14.27
10	0.44	11.18	1.000-20 UNEF	0.625	15.88
12	0.44	11.18	1.188-18 UNEF	0.750	19.05
16	0.44	11.18	1.438-18 UNEF	0.938	23.83
20	0.50	12.70	1.750-18 UNS	1.250	31.75
24	0.56	14.22	2.000-18 UNS	1.375	34.93
28	0.56	14.22	2.250-16 UN	1.625	41.28
32	0.62	15.75	2.500-16 UN	1.875	47.63
40	0.68	17.27	3.000-16 UN	2.375	60.33