

NON-SELF LOCKING & SELF LOCKING, MS "V" THREAD ADAPTER BACKSHELLS

STRAIGHT

Connector Group J

MIL-DTL-26482 Series II; MIL-DTL-83723 Series III; AS50151; AS81703; AS95234

M85049	144	S	16	W	08	-6
SERIES	SLASH #	LOCK	SHELL SIZE	FINISH	ENTRY SIZE	ADAPTER BODY LENGTH
	144: Straight	S: Detented Self-Locking N: Non-Detented Self-Locking - (Dash): Non -Self-Locking	Table A	W: Aluminum, Cadmium Olive Drab N: Aluminum, Electroless Nickel Z: Aluminum, Zinc Nickel	Table B	Table C

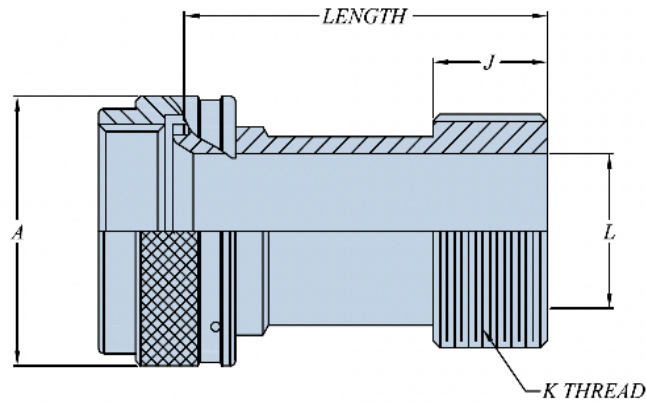


TABLE-A

SHELL SIZE	ENTRY SIZE	AS81703 SERIES III SHELL SIZE (REF)	MIL-DTL-26482 SERIES II & MILDTL- 83723 SERIES III SHELL SIZE (REF)	AS50151 SERIES II & III SHELL SIZE (REF)	AS95234 SHELL SIZE (REF)	ØA Max			
						Self Locking		Non Self Locking	
						inch	mm	inch	mm
03	03	3	-	-	-	0.885	22.48	0.669	16.99
08	03	-	8	8S	-	0.885	22.48	0.617	15.67
10	04	-	10	10S & 10SL	10SL	1.010	25.65	0.734	18.64
12	06	7	12	12S & 12	-	1.135	28.83	0.858	21.79
14	08	12	14	14S & 14	14S	1.260	32.00	0.984	24.99
16	10	19	16	16S & 16	16S & 16	1.385	35.18	1.112	28.24
18	12	27	18	18	18	1.510	38.35	1.218	30.94
20	12	37	20	20	20	1.635	41.53	1.345	34.16
22	16	-	22	22	22	1.760	44.70	1.468	37.29
24	16	-	24	24	24	1.885	47.88	1.593	40.46
28	24	-	-	28	28	2.135	54.23	1.969	50.01
32	28	-	-	32	32	2.395	60.83	2.219	56.36
36	28	-	-	36	36	2.635	66.93	2.469	62.71
40	32	-	-	40	-	2.885	73.28	2.719	69.06
44	32	-	-	44	-	3.135	79.63	2.969	75.41
48	40	-	-	48	-	3.385	85.98	3.219	81.76
61	16	61	-	-	-	1.885	47.88	1.653	41.99

NON-SELF LOCKING & SELF LOCKING, MS "V" THREAD ADAPTER BACKSHELLS

STRAIGHT

Connector Group J

MIL-DTL-26482 Series II; MIL-DTL-83723 Series III; AS50151; AS81703; AS95234

TABLE B CABLE ENTRY DIMENSIONS					
ENTRY SIZE	J REF		K THREAD CLASS 2A	L WIRE BUNDLE ACCOMMODATION MAX	
	inch	mm		inch	mm
03	0.44	11.18	0.500-28 UNEF	0.250	6.35
04	0.44	11.18	0.625-24 UNEF	0.312	7.92
06	0.44	11.18	0.750-20 UNEF	0.438	11.13
08	0.44	11.18	0.875-20 UNEF	0.562	14.27
10	0.44	11.18	1.000-20 UNEF	0.625	15.88
12	0.44	11.18	1.188-18 UNEF	0.750	19.05
16	0.44	11.18	1.438-18 UNEF	0.938	23.83
20	0.50	12.70	1.750-18 UNS	1.250	31.75
24	0.56	14.22	2.000-18 UNS	1.375	34.93
28	0.56	14.22	2.250-16 UN	1.625	41.28
32	0.62	15.75	2.500-16 UN	1.875	47.63
40	0.68	17.27	3.000-16 UN	2.375	60.33

TABLE-C ADAPTER BODY LENGTH		
LENGTH CODE	LENGTH ±0.031 (0.79)	
	inch	mm
-2	1.00	25.40
-3	1.50	38.10
-4	2.00	50.80
-5	2.50	63.50
-6	3.00	76.20

*-2 LENGTH OPTION NOT AVAILABLE FOR ENTRY SIZE 40