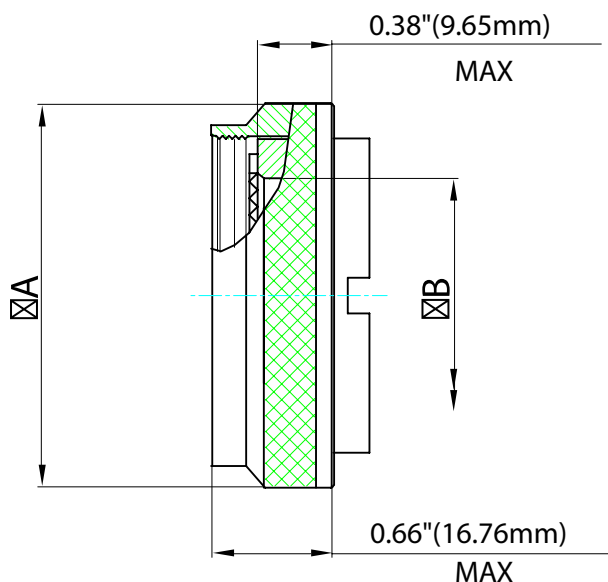


STRAIGHT; SELF-LOCK/SPIN

Connector Group L

MIL-DTL-38999 Series III & IV

M85049	/14	-	11	W
SERIES	SLASH #	COUPLING	ACCESSORY SHELL SIZE	FINISH
	14: Straight	S: Self Lock -: Spin	Table A	N: Electroless Nickel W: Cadmium Olive Drab Z: Black Zinc Nickel



Accessory Shell Size	Connector Shell Size	A \varnothing Max.		B \varnothing Max.	
		inch	mm	inch	mm
9	9 / A	0.86	21.79	0.26	6.71
11	11 / B	0.98	24.99	0.39	9.91
13	13 / C	1.16	29.39	0.50	12.80
15	15 / D	1.28	32.49	0.63	16.00
17	17 / E	1.41	35.71	0.76	19.20
19	19 / F	1.52	38.51	0.84	21.41
21	21 / G	1.64	41.71	0.97	24.64
23	23 / H	1.77	44.91	1.09	27.71
25	25 / J	1.87	47.98	1.22	30.91