

STRAIGHT; 90°; SPIN COUPLING; SELF-LOCK W/ SHIELD

Connector Group L

MIL-DTL-38999 Series III & IV

| | | | | | | | | |
|--------|---------------------------|------------------------|----------------------|---|--|-------------|--|---------------|
| M85049 | /115 | - | 11 | T | W | 03 | -6 | D |
| SERIES | SLASH # | COUPLING | ACCESSORY SHELL SIZE | SHIELD FINISH | FINISH | ENTRY SIZE | SHIELD LENGTH | D: Drain Hole |
| | 115: Straight 117: 90° | -:Spin S: Self-Lock | Table A | (Material: Copper) K: Nickel T: Tin | N: Electroless Nickel W: Cadmium Olive Drab Z: Black Zinc Nickel | Table A & B | 6 inches min. 18 inches max. 1 inch increments | |

TABLE A

| Accessory Shell Size | Entry Size | | Connector Shell Size | A Ø Max. | | H Max. | | J Max. | |
|----------------------|------------|------|----------------------|----------|-------|--------|-------|--------|-------|
| | Min. | Max. | | inch | mm | inch | mm | inch | mm |
| 09 | - | 01 | 8/9 | 0.860 | 21.84 | 1.73 | 43.94 | 0.88 | 25.35 |
| 11 | 01 | 03 | 10/11 | 0.980 | 24.89 | 1.85 | 46.99 | 1.00 | 30.23 |
| 13 | 01 | 05 | 12/13 | 1.160 | 29.46 | 1.87 | 47.50 | 1.13 | 33.53 |
| 15 | 03 | 07 | 14/15 | 1.280 | 32.51 | 1.94 | 49.28 | 1.31 | 36.58 |
| 17 | 05 | 9 | 16/17 | 1.410 | 35.81 | 2.03 | 51.56 | 1.50 | 39.88 |
| 19 | 06 | 10 | 18/19 | 1.520 | 38.61 | 2.20 | 55.88 | 1.75 | 44.45 |
| 21 | 8 | 12 | 20/21 | 1.640 | 41.66 | 2.20 | 55.88 | 1.75 | 44.45 |
| 23 | 9 | 13 | 22/23 | 1.770 | 44.96 | 2.31 | 58.67 | 2.00 | 50.80 |
| 25 | 10 | 14 | 24/25 | 1.890 | 48.01 | 2.31 | 58.67 | 2.00 | 50.80 |

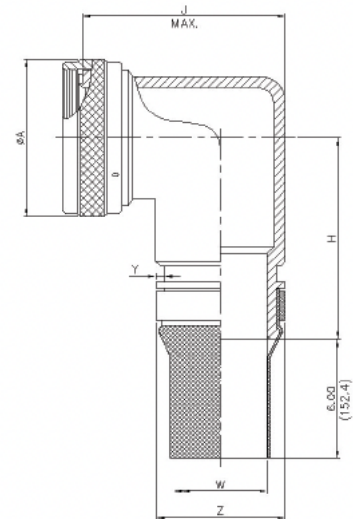


TABLE-B

| Entry Size | W ±0.020 (0.51) | | Y +0.008(0.20) -0.00 | | Z Max. | |
|------------|-----------------|--------|-------------------------|------|--------|-------|
| | inch | mm | inch | mm | inch | mm |
| 01 | 0.250 | 6.350 | 0.044 | 1.12 | 0.56 | 14.22 |
| 02 | 0.312 | 7.920 | 0.044 | 1.12 | 0.63 | 16.00 |
| 03 | 0.375 | 9.530 | 0.044 | 1.12 | 0.69 | 17.53 |
| 04 | 0.438 | 11.130 | 0.044 | 1.12 | 0.75 | 19.05 |
| 05 | 0.500 | 12.700 | 0.044 | 1.12 | 0.82 | 20.83 |
| 06 | 0.562 | 14.270 | 0.044 | 1.12 | 0.89 | 22.61 |
| 07 | 0.625 | 15.880 | 0.044 | 1.12 | 0.95 | 24.13 |
| 08 | 0.688 | 17.480 | 0.044 | 1.12 | 1.02 | 25.91 |
| 09 | 0.750 | 19.050 | 0.069 | 1.75 | 1.07 | 27.18 |
| 10 | 0.812 | 20.620 | 0.069 | 1.75 | 1.13 | 28.70 |
| 11 | 0.875 | 22.230 | 0.069 | 1.75 | 1.19 | 30.23 |
| 12 | 0.938 | 23.830 | 0.069 | 1.75 | 1.26 | 32.00 |
| 13 | 1.000 | 25.400 | 0.069 | 1.75 | 1.32 | 33.53 |

