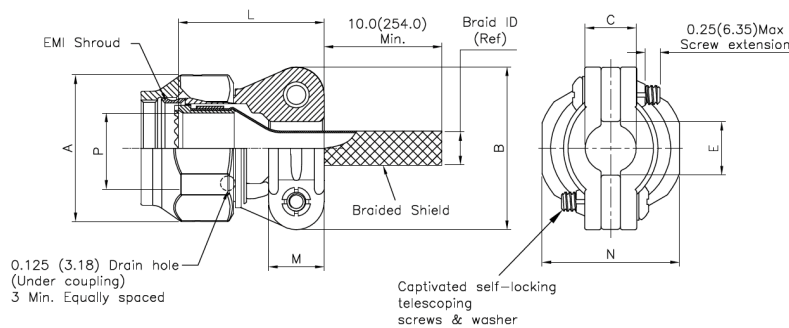


Straight

Connector Group L

MIL-DTL-38999 Series III & IV

M85049	103	-11	N
SERIES	SLASH #	SHELL SIZE	LOCK
	103: Straight	09 11 13 15 17 19 21 23 25	N: Non-detent self locking (Omit for detented self locking)



Materials & Finish
Coupling nut, strain relief, strap and self locking spring - composite in accordance with AS85049
Interface Ring, EMI Shroud - Brass/Nickel plated
Clamp Hardware - Stainless steel/passivated
Braid-Copper/nickel plated
Braid Retension device - Copper/Tin Plated

SHELL SIZE	ØA MAX		B Max		ØC		E Min		L Max			
	inch	mm	inch	mm	± 0.031	± 0.78	inch	mm	Min		Max	
					inch	mm			inch	mm	inch	mm
09	0.858	21.79	0.98	24.89	0.265	6.73	0.229	5.82	0.780	19.81	0.939	23.85
11	0.984	24.99	1.05	26.67	0.310	7.87	0.274	6.96	0.860	21.84	1.059	26.90
13	1.157	29.39	1.20	30.48	0.390	9.91	0.354	8.99	0.950	24.13	1.199	30.45
15	1.280	32.51	1.30	33.02	0.506	12.85	0.470	11.94	0.950	24.13	1.199	30.45
17	1.406	35.71	1.44	36.58	0.591	15.01	0.555	14.10	1.080	27.43	1.329	33.76
19	1.516	38.51	1.56	39.62	0.661	16.79	0.625	15.88	1.140	28.96	1.509	38.33
21	1.642	41.71	1.69	42.93	0.744	18.90	0.708	17.98	1.200	30.48	1.609	40.87
23	1.768	44.91	1.77	44.96	0.826	20.98	0.790	20.07	1.330	33.78	1.759	44.68
25	1.890	48.01	1.89	48.01	0.896	22.76	0.860	21.84	1.450	36.83	1.859	47.22

SHELL SIZE	M		N				P Min		Braid ID Ref		Screw Size
	±0.031	±0.78	Min		Max		inch	mm	inch	mm	
	inch	mm	inch	mm	inch	mm					
09	0.375	9.53	0.736	18.69	0.750	19.05	0.264	6.71	0.375	9.53	4-40
11	0.375	9.53	0.860	21.84	0.875	22.23	0.390	9.91	0.375	9.53	4-40
13	0.406	10.31	0.980	24.89	1.000	25.40	0.504	12.80	0.500	12.70	6-32
15	0.406	10.31	1.100	27.94	1.125	28.58	0.630	16.00	0.500	12.70	6-32
17	0.406	10.31	1.224	31.09	1.250	31.75	0.756	19.20	0.781	19.84	6-32
19	0.406	10.31	1.348	34.24	1.375	34.93	0.843	21.41	0.781	19.84	6-32
21	0.406	10.31	1.469	37.31	1.500	38.10	0.969	24.61	1.000	25.40	6-32
23	0.406	10.31	1.581	40.16	1.625	41.28	1.091	27.71	1.000	25.40	6-32
25	0.406	10.31	1.690	42.93	1.750	44.45	1.217	30.91	1.250	31.75	6-32