



QPL CONNECTOR ACCESSORIES

Have a Connector? We've Got Your Back!

CONNECTOR ACCESSORY TYPES

Amphenol PCD Backshells and Dust caps are designed for optimal performance in any application, especially harsh and demanding environments. Backshells provide strain relief, environmental protection, and EMI/RFI shielding at the termination area of virtually any connector. Dust caps provide sealing and dust protection at the connector interface while the connector is not in use. Backshells and other circular connector accessories are offered in Mil-spec, commercial, and custom types. Offering a base material of aluminum alloy, stainless steel, composite, silicone, or rubber and a wide range of plating options. Amphenol PCD connector accessories mate with Mil-spec and commercial connector series, including MIL-DTL-5015, MIL-DTL-26482, MIL-DTL-38999 and MIL-DTL-83723.



Non-Environmental Backshell

Effective cable holding mechanism with good strain relief when the environmental protection of the cable termination area is not a concern. Amphenol offers cost effective solutions by eliminating extra sealing parts. Suitable for an inside-the-box/climate-controlled room application where heavy cabling should be supported with adequate strain relief.



Environmental Backshell

provide the cable support and strain relief, but also ensure the cable sealing and environment protection by means of a high-quality sealing grommet and grommet follower. The strain relief nut is tightened – squeezing the grommet onto the cable jacket during assembly. These Backshells provide 6 feet water sealing protection when used with a perfectly jacketed cable and are suitable for harsh environment applications.



Non-Environmental EMI/RFI Backshell

Offering 360-degree electromagnetic and radio frequency noise isolation shielding in addition to standard features available with the Non-Environmental type. Available in straight, 90° and 45° degree varieties. Accommodates both individual and overall shielding.



Environmental EMI/RFI Backshell

Ideal choice for heavy duty cabling solutions in harsh environments where electromagnetic and radio frequency noises are to be isolated. Accommodates both individual and overall shielding.



Shrink Boot Adapter

Option for when the unshielded cables are terminated with heat shrink boots. It has a groove where the boot lip can be held which provides good grip apart from sufficient space inside for the cable looping. Using the heat shrink boot is one way of providing environmental protection and strain relief to cable termination. Using a suitable adapter is essential to ensure the repair ability.



Crimp Ring Adapter

Cable terminations where heat shrink boots are used may require provision for terminating the screens. This is achieved in this type of backshell through a ring, which can be crimped to the backshell body holding the screens in between.

CONNECTOR ACCESSORY TYPES



Band Lock Adapter

A high quality band will do the job with this backshell. Tempered bands are tightened over the shields, which are pulled over the banding area using a special assembly tool. Suitable over cover by heat shrink boot or some other method as chosen by the designer could be used. Both crimp ring and banded terminations give a low DC resistance.



Pre-Shield Adapter

Provided with a pre-cut braid that is fitted to the adapter for easy assembly. Designed to accept heat shrink boot. Ease of assembly saves time for cable termination.



SQ Adapter

cost-effective way to terminate the braid to the adapter. The braid is pulled over the conical shape to the rear end of the adapter and then tied. The end nut is tightened to ensure adequate grip for the shielding. A heat shrink boot can be used with this adapter as well.



Strain Relief Clamps

Tidy-up the cable after termination and provide good strain relief at the termination area. It is a cost-effective cable holding option when environmental protection is not a concern, and weight saving is a major consideration.



Lamp Thread Adapter

An adapter with threads similar to that in the lamp base for shield termination. An effective, easy and quick method of shield termination and field maintenance. Termination area can accept a nut as well as a clamp. The nut option enables the use of heat shrink boot and the clamp option will facilitate the strain relief clamping without heat shrink boot after the shield/cable termination.



OmniLite

configured to a straight, 45°, or 90° position, aiding in SKU reduction initiatives. The high performance thermoplastic backshells provide strain relief and EMI/RFI shielding at the termination area for MIL-DTL-38999 Series III connectors. Ideal for commercial and military aerospace's demanding applications or anywhere weight savings is required.



Composite

Light weight composite backshells are ideal for any application where weight savings is vital. Designed to provide strain relief, withstand severe corrosive environments, and are vibration diminishing. Offered in both Mil-Spec and commercial offerings.



Tie Wrap

A lightweight clamp used for securing and “tidying up” cables into a desired direction. They are typically used in interior wiring of an aircraft and are good for sensitive applications not requiring environmental sealing.

LEARN MORE



CONNECTOR ACCESSORY TYPES



JANM83723/59-2 & JANM83723/60-2

M83723/59-2 plug and M83723/60-2 receptacle bayonet coupling dust covers protect unmated MIL-DTL-83723 bayonet connectors by providing environmental protect as well as keeping impurities out of the termination area. Offered QPL plating options: Black Zinc Nickel, Cadmium Olive Drab, or Electroless Nickel and Adonize Black. Can be ordered with a chain or rope or with no attachment.



JAND38999/33 & JAND38999/32

JAND38999/33 receptacle and JAND38999/32 plug dust cover protect unmated MIL-DTL-38999 Series III connectors by offering environmental protection as well as keeping impurities out of the termination area. Offered QPL plating options: Black Zinc Nickel, Cadmium Olive Drab, Electroless Nickel, Passivated, or Electrodeposited Nickel. QPL approved lanyards are stainless steel rope with or without ring.



JANMS27510 & JANMS27511

JANMS27511 receptacle and JANMS27510 plug dust covers protect unmated MIL-DTL-38999 Series II connectors by offering environmental protect as well as keeping impurities out of the termination area. Offered QPL plating options: Black Zinc Nickel, Cadmium Olive Drab, or Electroless Nickel and Anodic Black and a QPL approved chain or without chain. Along with standard chain lengths, extended length chains available.



JANMS27501 & JANMS27502

JANMS27502 receptacle and JANMS27501 plug dust covers protect unmated MIL-DTL-38999 Series I connectors by offering environmental protect as well as keeping impurities out of the termination area. Offered QPL plating options: Black Zinc Nickel, Cadmium Olive Drab, or Electroless Nickel and Anodic Black and a QPL approved chain and ring, chain or without chain. Standard chain lengths, and extended length chains available.



JANM83723/59-1 & JANM83723/60-1

M83723/59-1 plug and M83723/60-1 receptacle threaded coupling dust covers protect unmated MIL-DTL-83723 threaded connectors by providing environmental protect as well as keeping impurities out of the termination area. Offered QPL plating options: Black Zinc Nickel, Cadmium Olive Drab, or Electroless Nickel and Adonize Black. Ordered with a chain or rope or no attachment.



MS25042 & MS25043

MS25043 receptacle and MS25042 plug dust covers protect unmated AS50151 connectors by offering environmental protect as well as keeping impurities out of the termination area. Offered QPL plating options: Black Zinc Nickel, Cadmium Olive Drab, or Electroless Nickel and Anodic Black and QPL approved chain and ring, chain or without the chain. Standard chain lengths, and extended length chains available.



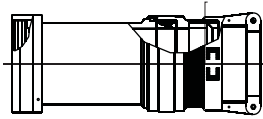
JANMS3180 & JANMS3181

MS3181 receptacle and MS3180 plug dust covers protect unmated MIL-DTL-26482 connectors by providing environmental protection as well as keeping impurities out of the termination area. Offered QPL plating options: Black Zinc Nickel, Cadmium Olive Drab, or Electroless Nickel and Anodic Black and QPL approved with chain or with a stainless steel rope. Standard chain lengths, and extended length chains available.

ANGLES/PROFILES & COUPLING STYLES

Angles/Profiles

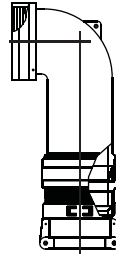
Amphenol Backshells are available in three different angular profiles: straight, 90 degree and 45 degree. These profiles will meet most of the cable routing required in the interconnect market. We can also make additional profiles if required. Please go to the web link <http://www.backshellworld.com/customdesign.asp> to contact Amphenol about your specific backshell needs.



Straight Backshells

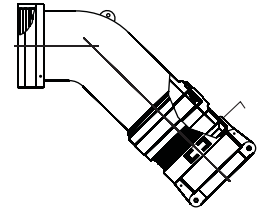
Available in different lengths and cable entry diameters for most applications. Different cable and braid terminating systems are also available as shown in the respective product sections.

*Example shown on pg. 5



90° Angled Backshells

Many applications require the cable to be bent and routed rather than straight routed. Amphenol offers a 90° angled style in all the backshell families for space saving and convenience.



45° Angled Backshells

Amphenol offers further design flexibility with a backshell that allows the cable to be routed 45° to the axis of the assembly.

Coupling Styles

Various coupling styles are available for the coupling between the backshell and the connector. Popular styles are shown in the respective backshell sections, and custom profiles can be designed. Please go to the web link

<http://www.backshellworld.com/customdesign.asp> to contact Amphenol about your specific backshell needs.



Spin Coupling

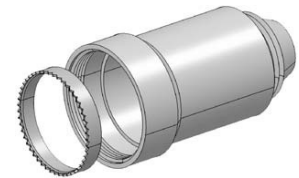
A captivated coupling nut within the backshell which provides the following advantages: Free rotation of the coupling nut making the assembly of the backshell to the connector easy without turning the entire backshell body. Lock wire holes are provided on the coupling nut to prevent accidental decoupling.

*Example shown on pg. 5



Self-Lock Coupling

Same as the Spin Coupling style with the additional feature of "self-locking." Internally locks the movement of the coupling nut so that accidental decoupling is prevented. Used in higher vibration conditions.



Direct Coupling

The coupling nut is eliminated in this design, and the backshell directly threads to the connector. For applications where simple direct connectivity is sufficient.

ASSEMBLY TORQUE VALUE & STYLE 2 CONFIGURATION

Amphenol recommends the following torque values for its adapters while assembling them to the connectors. These values are based on the coupling thread strength specified in SAE-AS85049 standard.

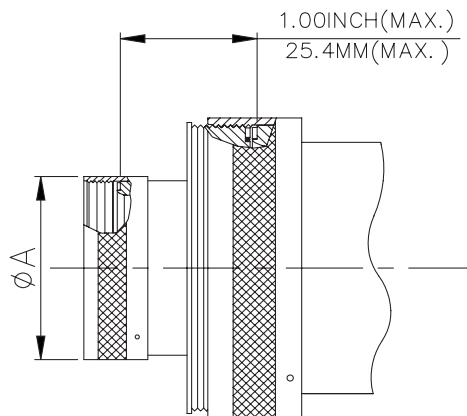
Assembly Torque Value	
Connector Shell Size	Torque (Inch-Pounds)
8,9	40
3, 10, 10SL, 11	40
7, 12, 12S, 13	40
14, 14S, 15	40
16, 16S, 17	40
18, 19, 27	40
20, 21, 37	80
22, 23	80
24, 25, 61	80
28	100
32	100
36	100
40	120
44	120
48	120

Torque Values for Cable Clamp Screw	
Screw Size	Torque (Inch-Pounds)
2-56	2 ± .5
4-40	4 ± .5
6-32	6 ± 1.0
8-32	8 ± 1.0
10-32	10 ± 1.0
.250-20	12 ± 1.0

*Recommended 75-80% of Values shown for installation

Style 2 Configuration

Some design consideration will require bigger diameter cable to be terminated in the smaller shell size connectors. Cable with heavy/thicker shielding, many wires for different branches/routing are some of the examples. Such cable termination will require a bigger adapter body with cable entry dimensions more than the connector rear side dimensions. Amphenol support this kind of applications too. The coupling end of the adapter will be modified to Style-2 design as shown in the figure in such cases. The overall length of the style-2 design adapters would be increased by approximately 1inch (25.4mm) as shown. This alternate design is applicable for all the 'Backshell Families' listed in this catalogue.



MATERIALS & FINISHES

Amphenol offers connector accessories with a base material of aluminum alloy, stainless steel, composite, silicone, or rubber and a wide range of plating options, if you have a connector, APCD has your back!

Backshell Plating Finishes							
Amphenol Designation	Mil Spec Designation	Finish	Salt Spray Hours	Electrical Conductivity	Operating Temp. Range	Guiding Specifications/ Requirements	RoHS
A	A	Anodized, Black*	500	Non - Conductive	-65 to +175 °C	Meet AS85049 Requirements	Yes
N	N	Electroless Nickel	96	Conductive	-65 to +200 °C		Yes
W	W	Cadmium Olive Drab over Electroless Nickel	1000	Conductive	-65 to +175 °C		No
ZN	Z	Black Zinc Nickel	1000	Conductive	-65 to +175 °C		Yes
P	P	Cadmium Olive Drab w/ Exposed Nickel	96	Conductive	-65 to +175 °C		No
ZP	ZP	Zinc Nickel Selective Plating	96	Conductive	-65 to +175 °C		Yes
M	M	Electroless Nickel over Composite	96	Conductive	-65 to +200 °C		Yes
J	J	Cadmium Olive Drab over Electroless Nickel on Composite	1000	Conductive	-65 to +200 °C		No
S	S	Stainless Steel Passivated	1000	Conductive	-65 to +200 °C		Yes
L	L	Cadmium, Selective over Composite	1000	Conductive	-65 to +200 °C		No

Dust Cap Plating Finishes							
Dust Cap Family	Mil Spec Designation	Finish	Salt Spray Hours	Electrical Conductivity	Operating Temp. Range	Guiding Specifications/ Requirements	RoHS
JANMS3180 JANMS3181	A	Hard Anodic (Black)	500	non-conductive	-55 to 200	MIL-PRF-8625, Type III	Yes
	K	Zinc Nickel (Black)	500	conductive	-55 to 175	ASTM B841, Type D	Yes
	L	Electroless Nickel	48	conductive	-55 to 200	ASTM B733, Service Category SC2	Yes
	W	Cadmium	500	conductive	-55 to 175	SAE-AMS-QQ-P-416	No
MS25042 MS25043	D	Cadmium	500	conductive	-65 to 175	SAE-AMS-QQ-P-416	No
	DA	Anodized Black	500	non-conductive	-65 to 200	MIL- A-8625 TYPE III	Yes
	DZ	Black Zinc Nickel	500	conductive	-65 to 175	ASTM B841, Type D	Yes
JANMS27501 JANMS27502	B	Cadmium	500	conductive	-65 to 175	SAE-AMS-QQ-P-416	No
	C	Hard Anodic (Black)	500	non-conductive	-65 to 200	MIL-PRF-8625, Type III	Yes
	F	Electroless Nickel	48	conductive	-65 to 200	ASTM B733, Service Category SC2	yes
	Z	Zinc Nickel (Black)	500	conductive	-65 to 175	ASTM B841, Type D	Yes
JANMS27510 JANMS27511	B	Cadmium	500	conductive	-65 to 175	SAE-AMS-QQ-P-416	No
	C	Hard Anodic (Black)	500	non-conductive	-65 to 200	MIL-PRF-8625, Type III	Yes
	F	Electroless Nickel	48	conductive	-65 to 200	ASTM B733, Service Category SC2	Yes
	Z	Zinc Nickel (Black)	500	conductive	-65 to 175	ASTM B841, Type D	Yes
JAND38999/32 JAND38999/33	W	Cadmium	500	conductive	-65 to 175	SAE-AMS-QQ-P-416	No
	Z	Zinc Nickel (Black)	500	conductive	-65 to 175	ASTM B841, Type D	Yes
	F	Electroless Nickel	48	conductive	-65 to 200	ASTM B733, Service Category SC2	Yes
JAN83723/59-1 JAN83723/60-1 JAN83723/59-2 JAN83723/60-2	W	Cadmium	500	conductive	-65 to 175	SAE-AMS-QQ-P-416	No
	R	Electroless Nickel	48	conductive	-65 to 200	"SAE AMS-C-26074, class 3 or 4, grade B ASTM B733, Service Category SC2"	Yes
	A	Hard Anodic (Black)	500	non-conductive	-65 to 200	MIL-PRF-8625, Type III	Yes
	Z	Zinc Nickel (Black)	500	conductive	-65 to 175	ASTM B841, Type D	Yes
JAND38999/32 JAND38999/33	J	Cadmium over Composite	2000	conductive	-65 to 175	SAE-AMS-QQ-P-416	No
	M	Electroless Nickel over Composite	2000	conductive	-65 to 200	ASTM B733, Service Category SC2	Yes

CONNECTOR ACCESSORIES OVERVIEW

BAND LOCK

Connector Group J
Connector Group K
Connector Group L

CRIMP RING ADAPTER

Connector Group J
Connector Group K
Connector Group L

ENVIRONMENTAL

Connector Group J
Connector Group K
Connector Group L

ENVIRONMENTAL EMI/RFI

Connector Group J
Connector Group K
Connector Group L

GROMMET NUT

Connector Group J
Connector Group K
Connector Group L

NON ENVIRONMENTAL

Connector Group J
Connector Group K
Connector Group L

NON ENVIRONMENTAL EMI/RFI

Connector Group J
Connector Group K
Connector Group L

PRE SHIELD ADAPTER

Connector Group J
Connector Group K
Connector Group L

SHRINK BOOT

Connector Group J
Connector Group K
Connector Group L

STRAIN RELIEF

Connector Group J
Connector Group K
Connector Group L

TIE WRAP

Connector Group J
Connector Group K
Connector Group L

DUST CAPS

Connector Group J
Connector Group K
Connector Group L

CONNECTOR ACCESSORIES OVERVIEW

Type	Military P/N	Product Family: Slash Number	Amphenol P/N	Family	Angle	Angle	Finish	Pg.
Backshells	M85049/6	/6	BV1BRJ	Environmental EMI/RFI	Aluminum Alloy	45°	N,W,Z	
Backshells	M85049/7	/7	BE1BRJ	Environmental	Aluminum Alloy	45°	N,W,Z	
Backshells	M85049/8	/8	BV1ARJ	Environmental EMI/RFI	Aluminum Alloy	90°	N,W,Z	
Backshells	M85049/9	/9	BE1ARJ	Environmental	Aluminum Alloy	90°	N,W,Z	
Backshells	M85049/10	/10	BV1SRJ	Environmental EMI/RFI	Aluminum Alloy	Straight	N,W,Z	
Backshells	M85049/11	/11	BE1SRJ	Environmental	Aluminum Alloy	Straight	N,W,Z	
Backshells	M85049/14	/14	BG1SRL	Grommet Nut	Aluminum Alloy	Straight	N,W,Z	
Backshells	M85049/15	/15	BQIBRL	Tie Wrap	Aluminum Alloy	45°	A,N,W,Z	
Backshells	M85049/16	/16	BQ1ARL	Tie Wrap	Aluminum Alloy	90°	A,N,W,Z	
Backshells	M85049/17	/17	BV1SDK	Environmental EMI/RFI	Aluminum Alloy	Straight	N,W,Z	
Backshells	M85049/18	/18	BV1SRL	Environmental EMI/RFI	Aluminum Alloy	Straight	N,W,Z	
Backshells	M85049/19	/19	BM1SRL	Non-Environmental EMI/RFI	Aluminum Alloy	Straight	N,W,Z	
Backshells	M85049/20	/20	BC2SRL	Crimp Ring Adapter	Aluminum Alloy	Straight	N,W,Z	
Backshells	M85049/21	/21	BN1SRL	Non-Environmental	Aluminum Alloy	Straight	N,W,Z	
Backshells	M85049/23	/23	BM1BRJ	Non-Environmental EMI/RFI	Aluminum Alloy	45°	N,W,Z	
Backshells	M85049/24	/24	BM1ARJ	Non-Environmental EMI/RFI	Aluminum Alloy	90°	N,W,Z	
Backshells	M85049/25	/25	BM1SRJ	Non-Environmental EMI/RFI	Aluminum Alloy	Straight	N,W,Z	
Backshells	M85049/26-1	/26-1	BC2SRJ	Crimp Ring Adapter	Aluminum Alloy	Straight	N,W,Z	
Backshells	M85049/26-2	/26-2	BC3SRJ	Crimp Ring Adapter	Aluminum Alloy	Straight	N,W,Z	
Backshells	M85049/26-3	/26-3	BC1SRJ	Crimp Ring Adapter	Aluminum Alloy	Straight	N,W,Z	
Backshells	M85049/27	/27	BG1SRK	Grommet Nut	Aluminum Alloy	Straight	N,W,Z	
Backshells	M85049/29	/29	BN1SDK	Non-Environmental	Aluminum Alloy	Straight	A,N,W,Z	
Backshells	M85049/30	/30	BM078SRL	Individual Shield	Aluminum Alloy	Straight	N,W,Z	
Backshells	M85049/31	/31	BG1SSJ	Grommet Nut	Aluminum Alloy	Straight	A, N, W, Z	
Backshells	M85049/33-1	/33-1	BC028SDK	Ring Adapter	Aluminum Alloy	Straight	No Finish	
Backshells	M85049/33-2	/33-2	BC2SRK	Ring Adapter	Aluminum Alloy	Straight	N,W,Z	
Backshells	M85049/34	/34	BD085SD	Non-Environmental Thread Adapter	Aluminum Alloy	Straight	W,Z	
Backshells	M85049/36	/36	BM1SDK	Non-Environmental EMI/RFI	Aluminum Alloy	Straight	N,W,Z	
Backshells	M85049/38	/38	BS1SRL	Strain Relief Clamp	Aluminum Alloy and Stainless Steel	Straight	A,N,W,S	
Backshells	M85049/39	/39	BS1ARL	Strain Relief Clamp	Aluminum Alloy and Stainless Steel	90°	A,N,W,S	
Backshells	M85049/41	/41	MS3057	Strain Relief Clamp	Aluminum Alloy	Straight	W	
Backshells	M85049/42	/42	BS006SDJ	Strain Relief Clamp	Aluminum Alloy	Straight	N,W,Z	
Backshells	M85049/43	/43	BS1BRJ	Strain Relief Clamp	Aluminum Alloy and Stainless Steel	45°	A,N,W,Z,S	
Backshells	M85049/47	/47	BS1ARK	Strain Relief Clamp	Aluminum Alloy and Stainless Steel	90°	N,W,S	
Backshells	M85049/48	/48	MS2000	D-Sub Backshell	Aluminum Alloy	Straight	F,N	
Backshells	M85049/49-2	/49-2	BS1SRK	Strain Relief Clamp	Aluminum Alloy and Stainless Steel	Straight	A,N,W,S	
Backshells	M85049/51	/51	BS1ARJ	Strain Relief Clamp	Aluminum Alloy and Stainless Steel	90°	A,N,W,S	
Backshells	M85049/52	/52	BS1SRJ	Strain Relief Clamp	Aluminum Alloy and Stainless Steel	Straight	A,N,W,S	

CONNECTOR ACCESSORIES OVERVIEW

Type	Military P/N	Product Family; Slash Number	Amphenol P/N	Family	Angle	Angle	Finish	Pg.
Backshells	M85049/53	/53	BQ1SRJ	Tie Wrap	Aluminum Alloy	Straight	A,N,W,Z	
Backshells	M85049/54	/54	BQ1BRJ	Tie Wrap	Aluminum Alloy	45°	A,N,W,Z	
Backshells	M85049/55	/55	BQ1ARJ	Tie Wrap	Aluminum Alloy	90°	A,N,W,Z	
Backshells	M85049/56	/56	BQ1SRK	Tie Wrap	Aluminum Alloy	Straight	A,N,W,Z	
Backshells	M85049/57	/57	BQ1BRK	Tie Wrap	Aluminum Alloy	45°	A,N,W,Z	
Backshells	M85049/58	/58	BPTSDK	Potting Boot Ring	Aluminum Alloy	Straight	N,Z	
Backshells	M85049/59	/59	BB1SDT	Shrink Boot Adapter	Aluminum Alloy	Straight	A,W,Z	
Backshells	M85049/60-1	/60-1	BB1SRJ	Shrink Boot Adapter	Aluminum Alloy	Straight	A,N,W,Z	
Backshells	M85049/60-2	/60-2	BB2SRJ	Shrink Boot Adapter	Aluminum Alloy	Straight	A,N,W,Z	
Backshells	M85049/61	/61	BPTSDR	Potting Boot Ring	Aluminum Alloy	Straight	N,Z	
Backshells	M85049/62	/62	BB1SRK	Shrink Boot Adapter	Aluminum Alloy	Straight	A,N,W,Z	
Backshells	M85049/63	/63	BQ1ARK	Tie Wrap	Aluminum Alloy	90°	A,N,W,Z	
Backshells	M85049/69	/69	BB1SRL	Shrink Boot Adapter	Aluminum Alloy	Straight	A,N,W,Z	
Backshells	M85049/76	/76	BV1ARK	Environmental EMI/RFI	Aluminum Alloy	90°	N,W,Z	
Backshells	M85049/77	/77	BV1BRK	Environmental EMI/RFI	Aluminum Alloy	45°	N,W,Z	
Backshells	M85049/78	/78	BV1BRL	Environmental EMI/RFI	Aluminum Alloy	45°	N,W,Z	
Backshells	M85049/79	/79	BV027ARL	Environmental EMI/RFI	Aluminum Alloy	90°	N,W,Z	
Backshells	M85049/82	/82	BL1SSJ	Band Lock	Aluminum Alloy	Straight	N,P,W,Z,ZP	
Backshells	M85049/83	/83	BL1BSJ	Band Lock	Aluminum Alloy	45°	N,P,W,Z,ZP	
Backshells	M85049/84	/84	BL1ASJ	Band Lock	Aluminum Alloy	90°	N,P,W,Z,ZP	
Backshells	M85049/85	/85	BL1SSK	Band Lock	Aluminum Alloy	Straight	N,P,W,Z,ZP	
Backshells	M85049/86	/86	BL1BSK	Band Lock	Aluminum Alloy	45°	N,P,W,Z,ZP	
Backshells	M85049/87	/87	BL1ASK	Band Lock	Aluminum Alloy	90°	N,P,W,Z,ZP	
Backshells	M85049/88	/88	BL1SSL	Band Lock	Aluminum Alloy and Ultem Composite	Straight	N,P,W,Z,ZP, J,M,L	
Backshells	M85049/89	/89	BL1BSL	Band Lock	Aluminum Alloy and Ultem Composite	45°	N,P,W,Z,ZP, J,M,L	
Backshells	M85049/90	/90	BL1ASL	Band Lock	Aluminum Alloy and Ultem Composite	90°	N,P,W,Z,ZP, J,M,L	
Backshells	M85049/91	/91	BS021	Strain Relief	Ultem Composite	Straight	T	
Backshells	M85049/92	/92	BS021	Strain Relief	Ultem Composite	90°	T	
Backshells	M85049/93	/93		Composite Split Ring	Ultem Composite	-	-	
Backshells	M85049/94	/94	BSPN06	Flange mount	Aluminum Alloy	-	A	
Backshells	M85049/95	/95	BSPN	Flange mount	Aluminum Alloy	-	A	
Backshells	M85049/96	/96	BSPN05	Flange mount	Aluminum Alloy	-	A	
Backshells	M85049/103	/103	BM071SSL	EMI/RFI Strain Relief Clamp	Ultem Composite	Straight	Datasheet	
Backshells	M85049/104	/104	BM071BSL	EMI/RFI Strain Relief Clamp	Ultem Composite	45°	Datasheet	
Backshells	M85049/105	/105	BM071ASL	EMI/RFI Strain Relief Clamp	Ultem Composite	90°	Datasheet	
Backshells	M85049/109	/109	BH1SRJ	Pre-Shield Adapter	Aluminum Alloy	Straight	N,W,Z	
Backshells	M85049/111	/111	BH1ARJ	Pre-Shield Adapter	Aluminum Alloy	90°	N,W,Z	
Backshells	M85049/112	/112	BH1SRK	Pre-Shield Adapter	Aluminum Alloy	Straight	N,W,Z	
Backshells	M85049/114	/114	BH1ARK	Pre-Shield Adapter	Aluminum Alloy	90°	N,W,Z	
Backshells	M85049/115	/115	BH1SRL	Pre-Shield Adapter	Aluminum Alloy	Straight	N,W,Z	
Backshells	M85049/117	/117	BH1ARL	Pre-Shield Adapter	Aluminum Alloy	90°	N,W,Z	

CONNECTOR ACCESSORIES OVERVIEW

Type	Military P/N	Product Family: Slash Number	Amphenol P/N	Family	Angle	Angle	Finish	Pg.
Backshells	M85049/118	/118	BS014SSJ	Strain Relief Clamp	Aluminum Alloy	Straight	A, N,W,Z	
Backshells	M85049/120	/120	BS014ASJ	Strain Relief Clamp	Aluminum Alloy	90°	A,N,W,Z	
Backshells	M85049/121	/121	BS014SSK	Strain Relief Clamp	Aluminum Alloy	Straight	A,N,W,Z	
Backshells	M85049/123	/123	BS014ASK	Strain Relief Clamp	Aluminum Alloy	90°	A,N,W,Z	
Backshells	M85049/124	/124	BS014SS	Strain Relief Clamp	Aluminum Alloy	Straight	A,N,W,Z	
Backshells	M85049/126	/126	BS014ASL	Strain Relief Clamp	Aluminum Alloy	90°	A,N,W,Z	
Backshells	M85049/127	/127	BST1	Rubber Bushings	Silicone Rubber	-	No Finish	
Backshells	M85049/128	/128	BA1	Shield Termination Bands	Aluminum Alloy	-	No Finish	
Backshells	M85049/130	/130	BSG1	Gasket	Datasheet	-	F,N,S,V	
Backshells	M85049/139	/139	BBS1	Telescoping Rubber Bushings	Datasheet	-	No Finish	
Backshells	M85049/144	/144	BD086SRJ	MS "V" Thread	Aluminum Alloy	Straight	N,W,Z	
Backshells	M85049/145	/145	BD086BRJ	MS "V" Thread	Aluminum Alloy	45°	N,W,Z	
Backshells	M85049/146	/146	BD086ARJ	MS "V" Thread	Aluminum Alloy	90°	N,W,Z	
Backshells	M85049/147	/147	BS011SSL	Strain Relief Clamp	Aluminum Alloy	Straight	A,N,W,Z	
Backshells	M85049/148	/148	BM079SD	Individual Shield Termination	Aluminum Alloy	Straight	No Finish	
Backshells	M85049/149	/149	BD087SDL	Extender	Aluminum Alloy	Straight	N,W,Z	
Backshells	JAND3899922	D3899922	ITV22	Dummy Receptacle	Aluminum Alloy	-	F, W, Z	
Backshells	JAND3899928	D3899928	ITV28	Hexagon Panel Nut	Aluminum Alloy	-	F, W	
Backshells	MS3115	MS3115		Dummy Receptacle	Aluminum Alloy	-	A, W, L	
Backshells	MS3186	MS3186		Hexagon Panel Nut	Aluminum Alloy	-	A, N, W	
Dust Caps	JAND3899932	D3899932	ITV32	Plug Dust Caps	Aluminum Alloy and Stainless Steel	-	W, Z, F, K, N, S	
Dust Caps	JAND3899933	D3899933	ITV33	Plug Dust Caps	Aluminum Alloy and Stainless Steel	-	W, Z, F, K, N, S	
Dust Caps	JANM83723/59-1	M83723/59-1	IMT/59-1	Plug Dust Caps	Aluminum Alloy	-	W, R, A, Z	
Dust Caps	JANM83723/59-2	M83723/59-2	IMT/59-2	Plug Dust Caps	Aluminum Alloy	-	W, R, A, Z	
Dust Caps	JANM83723/60-1	M83723/60-1	IMT/60-1	Receptacle Dust Caps	Aluminum Alloy	-	W, R, A, Z	
Dust Caps	JANM83723/60-2	M83723/60-2	IMT/60-2	Receptacle Dust Caps	Aluminum Alloy	-	W, R, A, Z	
Dust Caps	MS25042	MS25042	IMB25042	Plug Dust Caps	Aluminum Alloy	-	D, DA, DZ	
Dust Caps	MS25043	MS25043	IMB25043	Receptacle Dust Caps	Aluminum Alloy	-	D, DA, DZ	
Dust Caps	JANMS27501	MS27501	ILJT27501	Plug Dust Caps	Aluminum Alloy	-	B, C, F, Z	
Dust Caps	JANMS27502	MS27502	ILJT27502	Receptacle Dust Caps	Aluminum Alloy	-	B, C, F, Z	
Dust Caps	JANMS27510	MS27510	IJT27510	Plug Dust Caps	Aluminum Alloy	-	B, C, F, Z	
Dust Caps	JANMS27511	MS27511	IJT27511	Receptacle Dust Caps	Aluminum Alloy	-	B, C, F, Z	

CONNECTOR GROUP CODE

SPECIFICATIONS		
Connector Specification	Series/Class	Connector Group Code
40M38277		K
40M39569		J
BS9520	G0001	K
BS9520	G0002	K
BS9520	G0003	L
BS9522 F0001	Patt 602	J
BS9522 F0012	Patt 615	M
BS9522 F0017	Patt 105	N
BS9522 F0020	Patt 608	N
BS9522 F0029	Patt 616	K
BS9522 F0042		J
BS9522 N0001	Patt 603	N
BS9522 N0003	Patt 614	K
CECC 75201.001		J
CECC 75201.002		L
DEF 5326-3		J
EN 2997		J
EN 3645		L
EN 3646		J
EN 3372		M
ESC 10		J
ESC 11		J
JN1003		M
LN29504		J
LN29728		J
LN29729		M
MIL-C-81703	3	J
MIL-DTL-26482	2	J
MIL-DTL-38999	I	K
MIL-DTL-38999	II	K
MIL-DTL-38999	III	L
MIL-DTL-38999	IV	L
MIL-DTL-5015	MS340	J
MIL-DTL-5015	MS345	J
MIL-DTL-83723	I	J
MIL-DTL-83723	III	J
NAS 1599		J
NFC93422	HE302	J
NFC93422	HE306	M
NFC93422	HE308	K
NFC93422	HE309	K
NFL 54140		J
PAN 6432-1		J
PAN 6432-2		J
PAN 6433-1		K
PAN 6433-2		M
VG 96912	2	K
VG 96912	1	M

MILITARY PART NUMBER PREFIX			
Military Part Number Prefi	Specification	Series/Class	Connector Group Code
D38999/20	MIL-DTL-38999	III	L
D38999/24	MIL-DTL-38999	III	L
D38999/26	MIL-DTL-38999	III	L
D38999/40	MIL-DTL-38999	IV	L
D38999/42	MIL-DTL-38999	IV	L
D38999/46	MIL-DTL-38999	IV	L
D38999/47	MIL-DTL-38999	IV	L
M83723/01	MIL-DTL-83723	I	J
M83723/02	MIL-DTL-83723	I	J
M83723/03	MIL-DTL-83723	I	J
M83723/04	MIL-DTL-83723	I	J
M83723/05	MIL-DTL-83723	I	J
M83723/06	MIL-DTL-83723	I	J
M83723/07	MIL-DTL-83723	I	J
M83723/08	MIL-DTL-83723	I	J
M83723/13	MIL-DTL-83723	I	J
M83723/14	MIL-DTL-83723	I	J
M83723/36	MIL-DTL-83723	I	J
M83723/37	MIL-DTL-83723	I	J
M83723/38	MIL-DTL-83723	I	J
M83723/39	MIL-DTL-83723	I	J
M83723/40	MIL-DTL-83723	I	J
M83723/41	MIL-DTL-83723	I	J
M83723/42	MIL-DTL-83723	I	J
M83723/43	MIL-DTL-83723	I	J
M83723/48	MIL-DTL-83723	I	J
M83723/49	MIL-DTL-83723	I	J
M83723/65	MIL-DTL-83723	III	J
M83723/66	MIL-DTL-83723	III	J
M83723/67	MIL-DTL-83723	III	J
M83723/68	MIL-DTL-83723	III	J
M83723/69	MIL-DTL-83723	III	J
M83723/71	MIL-DTL-83723	III	J
M83723/72	MIL-DTL-83723	III	J
M83723/73	MIL-DTL-83723	III	J
M83723/74	MIL-DTL-83723	III	J
M83723/75	MIL-DTL-83723	III	J
M83723/76	MIL-DTL-83723	III	J
M83723/77	MIL-DTL-83723	III	J
M83723/78	MIL-DTL-83723	III	J
M83723/82	MIL-DTL-83723	III	J
M83723/83	MIL-DTL-83723	III	J
M83723/84	MIL-DTL-83723	III	J
M83723/85	MIL-DTL-83723	III	J
M83723/86	MIL-DTL-83723	III	J
M83723/87	MIL-DTL-83723	III	J
M83723/91	MIL-DTL-83723	III	J
M83723/92	MIL-DTL-83723	III	J

CONNECTOR GROUP CODE

MANUFACTURERS PART NUMBER PREFIX		
Manufacturer Part Number	Manufacturer	Connector Group Code
10-475	Amphenol/ Bendix/ Socapex/ Pyle	K
118	Amphenol/ Bendix/ Socapex/ Pyle	J
162GB	Amphenol/ Bendix/ Socapex/ Pyle	N
2PSN	Plessey Connector	N
381	Deutsch	J
418-1	Amphenol/ Bendix/ Socapex/ Pyle	K
418-2	Amphenol/ Bendix/ Socapex/ Pyle	K
418-5	Amphenol/ Bendix/ Socapex/ Pyle	M
486	Amphenol/ Bendix/ Socapex/ Pyle	J
518	Amphenol/ Bendix/ Socapex/ Pyle	J
602GB	Amphenol/ Bendix/ Socapex/ Pyle	J
62GB	Amphenol/ Bendix/ Socapex/ Pyle	N
65	Glenair	L
652	Amphenol/ Bendix/ Socapex/ Pyle	J
66	Glenair	L
711	Amphenol/ Bendix/ Socapex/ Pyle	J
801	Amphenol/ Bendix/ Socapex/ Pyle	J
837	Deutsch	J
83723	Souriau	J
83730	Deutsch	J
851	Souriau	N
8520	Souriau	J
8525	Souriau	J
8526	Souriau	J
853	Souriau	J
8533	Souriau	J
8534	Souriau	J
857	Souriau	J
89	Souriau	J
8D	Souriau	L
8LT	Souriau	K
8T	Souriau	M
91-483	Amphenol/ Bendix/ Socapex/ Pyle	K
944	Matrix	J
951	Deutsch	J
951-50	Deutsch	J
981	Matrix	J
983	Deutsch	J
991	Deutsch	J
999.1	Deutsch	J

MANUFACTURERS PART NUMBER PREFIX		
Manufacturer Part Number	Manufacturer	Connector Group Code
ABJ	AB Electronics	K
AE22	Aero-Electric	L
AE46	Aero-Electric	K
AE47	Aero-Electric	K
AE48	Aero-Electric	K
AE49	Aero-Electric	K
AE55	Aero-Electric	J
AE77	Aero-Electric	J
AE83	Aero-Electric	J
AFD	Deutsch	J
AFD5	Deutsch	J
AFE	Deutsch	J
B	Amphenol/ Bendix/ Socapex/ Pyle	J
BE	Amphenol/ Bendix/ Socapex/ Pyle	J
BL	Flight Connector	L
BT	Amphenol/ Bendix/ Socapex/ Pyle	J
BY1	Amphenol/ Bendix/ Socapex/ Pyle	J
CGK	ITT Cannon	M
CN0930	TRW	J
CNO	G & H Technology	L
CNO930	Labinal/ Cinch	J
CT	Burndy	K
CT	Plessey Connector	K
CT-R	AB Electronics	K
CT-R	Plessey Connector	K
CV340	ITT Cannon	J
CV345	ITT Cannon	J
D817	Deutsch	J
DBA	Deutsch	J
DBA7	Deutsch	J
DBAS	Deutsch	J
DFE	Deutsch	J
DIV4	Deutsch	L
DL	Deutsch	J
DL6	Deutsch	J
DTS	Deutsch	L
DVG	Deutsch	J
EA	Amphenol/ Bendix/ Socapex/ Pyle	J
EB	Amphenol/ Bendix/ Socapex/ Pyle	J
EEG	Amphenol/ Bendix/ Socapex/ Pyle	J
ES	Amphenol/ Bendix/ Socapex/ Pyle	J
ET	Amphenol/ Bendix/ Socapex/ Pyle	J
FDBA	Deutsch	J
FF	Deutsch	J
FF	Flight Connector	J
FH	Flight Connector	J
HDJ	Deutsch	M

CONNECTOR GROUP CODE

MANUFACTURERS PART NUMBER PREFIX		
Manufacturer Part Number	Manufacturer	Connector Group Code
HTMF	ITT Cannon	J
JT	Amphenol/ Bendix/ Socapex/ Pyle	K
JT 3400	J-Tech	J
JT 3450	J-Tech	J
JT-R	FKI	K
JT-R	Teldix	K
JTVG 95234	J-Tech	J
JVS	Souriau	L
KJ	ITT Cannon	K
KJA	ITT Cannon	L
KJAD/V4	ITT Cannon	L
KJL	ITT Cannon	K
KV-R	ITT Cannon	J
LJT	Amphenol/ Bendix/ Socapex/ Pyle	K
LS	Amphenol/ Bendix/ Socapex/ Pyle	J
LTT	FKI	K
MB1	Matrix	J
MB3	Matrix	J
MB9	Matrix	K
MD	Matrix	J
MF	ITT Cannon	J
MFG	ITT Cannon	J
MK 12	AB Electronics	N
MK 18	AB Electronics	N
MK 8	AB Electronics	N
MK12	Plessey Connector	N
MK25	Plessey Connector	K
MK38	Plessey Connector	K
MK8	Plessey Connector	N
ML94	Matrix	L
MQ3	Matrix	J
MT3	Matrix	J
MT93	Matrix	L
P5	Plessey Connector	N
PL	Deutsch	L
PT	ITT Cannon	N
PT33	FKI	N
PT33SE	FKI	N
PT44	FKI	N
PT44SE	FKI	N
PT55	FKI	N
PT55SE	FKI	N
PT77	FKI	N
PT77SE	FKI	N
PTG55	FKI	N
PTG55SE	FKI	N
PTS-DR	Amphenol/ Bendix/ Socapex/ Pyle	J

MANUFACTURERS PART NUMBER PREFIX		
Manufacturer Part Number	Manufacturer	Connector Group Code
PT-SE	ITT Cannon	N
PV7	ITT Cannon	J
PVA	ITT Cannon	J
PV-G	ITT Cannon	J
PVJ	ITT Cannon	J
PV-S	ITT Cannon	J
PWW	ITT Cannon	J
PVX	ITT Cannon	J
RD1	Raychem	J
RR	Deutsch	J
RR20	Deutsch	J
RR50	Deutsch	J
RR70	Deutsch	J
RR70	Deutsch	J
SA	SAE	J
SJT	Amphenol/ Bendix/ Socapex/ Pyle	M
STT	FKI	M
STT	ITT Cannon	M
T3	Amphenol/ Bendix/ Socapex/ Pyle	L
TT	FKI	K
TT/TTPQ	ITT Cannon	K
TT/TTPQ	ITT Cannon	K
TV	Amphenol/ Bendix/ Socapex/ Pyle	L
TVP	FKI/ Bendix	L
TVRB	Amphenol/ Bendix/ Socapex/ Pyle	L
TVS	Amphenol/ Bendix/ Socapex/ Pyle	L
VTT	FKI	L

Connector Group Code Conitnued

CONNECTOR GROUP CODE

MANUFACTURERS PART NUMBER PREFIX	
Manufacturer's Part Number Prefi	Connector Group Code
AB Electronics	
ABJ	K
CT-R	K
MK 12	N
MK 18	N
MK 8	N
Aero-Electric	
AE22	L
AE46	K
AE47	K
AE48	K
AE49	K
AE55	J
AE77	J
AE83	J
Amphenol/ Bendix/ Socapex/ Pyle	
10-475	K
118	J
162GB	N
418-1	K
418-2	K
418-5	M
486	J
518	J
602GB	J
62GB	N
652	J
711	J
801	J
91-483	J
B	J
BE	J
BT	J
BY1	J
EA	J
EB	J
EEG	J
ES	J
ET	J
JT	K
LJT	K
LS	J
PTS-DR	J
SJT	M
T3	L
TV	L
TVRB	L
TVS	L

MANUFACTURERS PART NUMBER PREFIX	
Manufacturer's Part Number Prefi	Connector Group Code
Burdy	
CT	K
Deutsch	
381	J
837	J
83730	J
RR70	J
RR70	J
FKI	
JT-R	K
LTT	K
PT33	N
PT33SE	N
PT44	N
PT44SE	N
PT55	N
PT55SE	N
PT77	N
PT77SE	N
PTG55	N
PTG55SE	N
STT	M
TT	K
VTT	L
TVP	L
Flight Connector	
BL	L
FF	J
FH	J
G & H Technology	
CNO	L
Glenair	
65	L
66	L
ITT Cannon	
CGK	M
CV340	J
CV345	J
HTMF	J
KJ	K
KJA	L
KJAD/V4	L
KJL	K
MB3	J
MB9	K
MD	J
ML94	L
MQ3	J

MANUFACTURERS PART NUMBER PREFIX	
Manufacturer's Part Number Prefi	Connector Group Code
MT3	J
MT93	L
Plessey Connector	
2PSN	N
CT	K
CT-R	K
MK12	N
MK25	K
MK38	K
MK8	N
P5	N
Raychem	
RDI	J
Souriau	
83723	J
851	N
8520	J
8525	J
8526	J
853	J
8533	J
8534	J
857	J
89	J
8D	L
8LT	K
8ST	M
8T	K
JVS	L
Teldix	
JT-R	K
TRW/Cinch	
CN0930	J

HOW TO SELECT A BACKSHELL

1. Select the Backshell Family (pgs. 1-2; i.e. Non-Environmental Backshell)
2. Select Angle (pg. 4; i.e. Straight)
3. Select Coupling Style (pg. 4; i.e. Spin)

In order to complete steps 4-9, you must know the connector specification. For example, we'll use connector D38999/26WB35PN to walk through the remaining steps of selecting a backshell.

4. Select Connector Group Code based on your connector specifications (pgs.11-15; i.e. L)
5. Select material and finish option (pg. 6; i.e. Cadmium Olive Drab over Electroless Nickel)

*Recommended to follow the same finish as connector

In order to complete step 7, you must know the actual cable diameter. For example, we'll use the cable diameter of 0.20 inches to walk through the remaining steps of selecting a backshell.

6. Determine the clamp size by using the table on the Backshell product page, see full catalog for more. (pg. 72-74)
7. If applicable, determine backshell length using the table on the Backshell product page see full catalog for more. (pg. 72-74)
8. Build a part number based on the selections you made (pg.72; i.e. M85049/2111W02A)

*Contact Amphenol Pcd if you can not find your preferences to meet your application, we may be able to support under priority part number

Cross Reference

If you have a Military part number or other manufacturer's part number for which you are looking for an equivalent item, we have provided a cross-reference on our web link: <http://www.backshellworld.com/crossreference.aspx>

Customize

Backshells for Military & Aerospace applications are governed by SAE, AS85049 standard and Amphenol Backshells are designed to meet the requirement of this standard. Though this standard covers the most popular styles of backshells, many applications call for additional styles and designs. Here is where the capability of Amphenol can support you from the concept to product realization and thereby your unique specification need is satisfied

Please visit our web link for further help: <http://www.backshellworld.com/customdesign.asp>

Straight; 90° & 45°; Self-Lock

Connector Group J

MIL-DTL-26482 Series II; MIL-DTL-83723 Series III; AS50151; AS81703

M85049	/82	-10	W	03
SERIES	SLASH #	ACCESSORY SHELL SIZE	FINISH	ENTRY SIZE
	82: Straight 83: 45° 84: 90°	Table A	N : Electroless Nickel P : Cadmium w/ Exposed Nickel Z : Black Zinc Nickel W : Cadmium Olive Drab over Electroless Nickel ZP: Black Zinc Nickel w/ Exposed Nickel	Table A

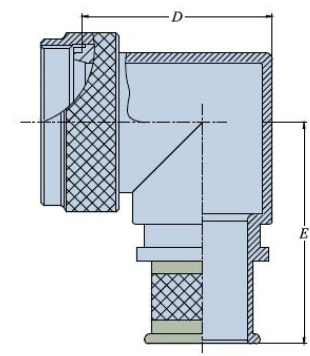
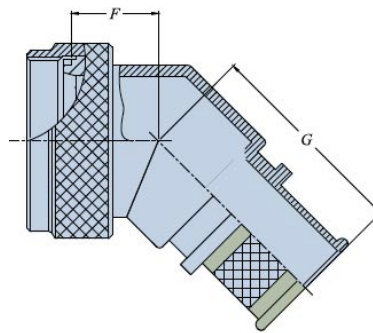
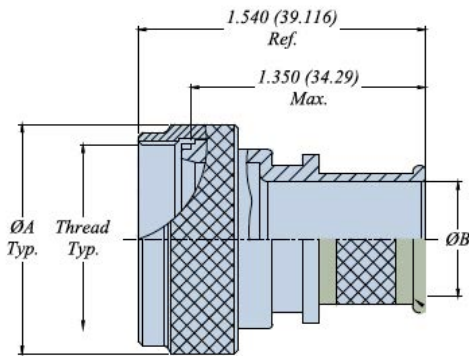


TABLE A

Accessory Shell Size	Entry Size	Connector Shell Size	A Ø Max.		B Ø . Max.		C Max.		D Max.		E Max.		F Max.		G Max.	
			inch	mm	inch	mm	inch	mm	inch	mm	inch	mm	inch	mm	inch	mm
08	03	8	0.89	22.48	0.26	6.60	0.87	22.10	1.16	29.46	1.19	30.18	1.42	35.99	0.56	14.22
10	03	10	1.01	25.65	0.32	8.13	0.89	22.61	1.18	29.97	1.28	32.54	1.48	37.59	0.63	16.00
12	02	7 / 12	1.14	28.83	0.32	8.13	0.92	23.37	1.20	30.48	1.41	35.71	1.54	39.17	0.63	16.00
	03				0.45	11.43									0.75	19.05
14	02	12 / 14	1.26	32.00	0.45	11.43	0.94	23.88	1.22	30.99	1.53	38.89	1.61	40.77	0.75	19.05
	03				0.57	14.48									0.89	22.61
16	02	19 / 16	1.39	35.18	0.51	12.95	0.96	24.38	1.25	31.75	1.66	42.06	1.67	42.34	0.82	20.83
	03				0.64	16.26									0.95	24.13
18	02	27 / 18	1.51	38.35	0.64	16.26	0.98	24.89	1.26	32.00	1.72	43.64	1.73	43.94	0.95	24.13
	03				0.76	19.30									1.07	27.18
20	02	37 / 20	1.64	41.53	0.64	16.26	1.00	25.40	1.29	32.77	1.84	46.84	1.79	45.52	0.95	24.13
	03				0.82	20.83									1.13	28.07
22	02	22	1.76	44.70	0.70	17.78	1.03	26.16	1.31	33.27	1.94	49.23	1.85	46.99	1.02	25.99
	03				0.95	24.13									1.26	32.00
24	02	24	1.89	47.88	0.76	19.30	1.05	26.67	1.34	34.04	2.09	53.16	1.92	48.69	1.07	27.18
	03				1.01	25.65									1.32	33.53
28	02	28	2.14	54.23	0.89	22.61	1.10	27.94	1.38	35.05	2.53	64.29	2.04	51.87	1.19	30.23
	03				1.14	28.96									1.47	37.34

Straight; 90° & 45°; Self-Lock

Connector Group K

MIL-DTL-38999 Series I & II

M85049	/85	-10	W	02
SERIES	SLASH #	ACCESSORY SHELL SIZE	FINISH	ENTRY SIZE
	85: Straight 86: 45 87: 90°	Table A	N: Electroless Nickel P: Cadmium w/ Exposed Nickel W: Cadmium Olive Drab Z: Black Zinc Nickel ZP: Zinc Nickel w/ Exposed Nickel	Table A

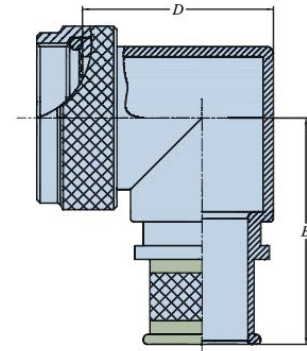
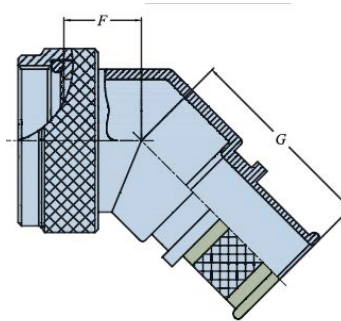
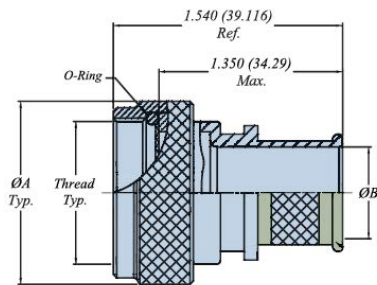


TABLE A

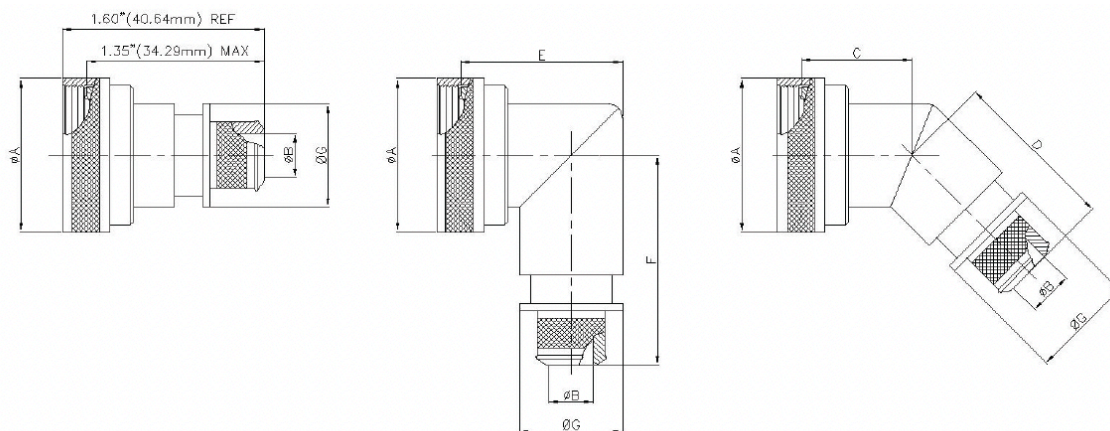
Accessory Shell Size	Entry Size		Connector Shell Size	A Ø Max.		B Ø Max.		C Max.		D Max.		E Max.		F Max.		G Max.	
	/85	/86 & /87		inch	mm	+0.00 / -0.02		+0.00 / -0.50		inch	mm	inch	mm	inch	mm	inch	mm
						inch	mm	inch	mm								
08	02	03	8/9	0.86	21.82	0.26	6.60	0.87	22.10	1.16	29.46	1.38	34.93	1.42	35.99	0.56	14.22
10	02	03	10/11	0.99	25.04	0.32	8.13	0.90	22.86	1.19	30.23	1.44	36.50	1.48	37.59	0.63	16.00
12	01	02	12/13	1.16	29.36	0.32	8.13	0.92	23.37	1.21	30.73	1.56	39.67	1.55	39.45	0.63	16.00
	02	03				0.45	11.43									0.75	19.05
14	01	02	14/15	1.28	32.54	0.45	11.43	0.95	24.13	1.24	31.50	1.69	42.85	1.61	41.00	0.75	19.05
	02	03				0.57	14.48									0.89	22.61
16	01	02	16/17	1.41	35.71	0.51	12.95	0.98	24.89	1.26	32.00	1.75	44.45	1.68	42.62	0.82	20.83
	02	03				0.64	16.26									0.95	24.13
18	01	02	18/19	1.52	38.51	0.64	16.26	0.98	24.89	1.27	32.26	1.88	47.63	1.73	44.02	0.95	24.13
	02	03				0.76	19.30									1.07	27.18
20	01	02	20/21	1.64	41.68	0.64	16.26	1.01	25.65	1.30	33.02	1.94	49.23	1.80	45.62	0.95	24.13
	02	03				0.82	20.83									1.13	28.07
22	01	02	22/23	1.77	44.86	0.70	17.78	1.04	26.42	1.33	33.78	2.06	52.37	1.86	47.22	1.02	25.99
	02	03				0.95	24.12									1.26	32.00
24	01	02	24/25	1.89	48.03	0.76	19.30	1.07	27.18	1.35	34.29	2.13	53.98	1.92	48.74	1.07	27.18
	02	03				1.01	26.65									1.32	33.53

Straight; 90° & 45°; Self-Lock

Connector Group L

MIL-DTL-38999 Series III & IV

M85049	/88	-11	W	03
SERIES	SLASH #	ACCESSORY SHELL SIZE	FINISH	ENTRY SIZE
	88: Straight 89: 45 90: 90°	Table A	N: Electroless Nickel P: Cadmium w/ Exposed Nickel W: Cadmium Olive Drab Z: Black Zinc Nickel ZP: Zinc Nickel w/ Exposed Nickel	Table A



Accessory Shell Size	Entry Size	Connector Shell Size	A Ø Max.		B Ø Max.		C Max.		D Max.		E Max.		F Max.		G Max.	
			inch	mm	+0.00 / -0.02	+0.00 / -0.50	inch	mm	inch	mm	inch	mm	inch	mm	inch	mm
9	03	9 / A	0.86	21.82	N/A	N/A	1.01	25.65	1.16	29.46	1.38	34.93	1.42	35.99	N/A	N/A
					0.250	6.35									0.56	14.22
11	03	11 / B	0.99	25.04	N/A	N/A	1.03	26.16	1.19	30.23	1.44	36.50	1.48	37.59	N/A	N/A
					0.312	7.92									0.63	16.00
13	02	13 / C	1.16	29.36	0.312	7.92	1.06	26.92	1.21	30.73	1.56	39.67	1.55	39.45	0.63	16.00
	0.438				11.13	0.75									19.05	
15	02	15 / D	1.28	32.54	0.438	11.13	1.08	27.43	1.24	31.50	1.69	42.85	1.61	41.00	0.75	19.05
	0.562				14.27	0.89									22.61	
17	02	17 / E	1.41	35.71	0.500	12.70	1.11	28.19	1.26	32.00	1.75	44.45	1.68	42.62	0.82	20.83
	0.625				15.88	0.95									24.13	
19	02	19 / F	1.52	38.51	0.625	15.88	1.12	28.45	1.27	32.26	1.88	47.63	1.77	45.03	0.95	24.13
	0.750				19.05	1.07									27.18	
21	02	21 / G	1.64	41.68	0.625	15.88	1.15	29.21	1.30	33.02	1.94	49.23	1.80	45.62	0.95	24.13
	0.812				20.62	1.13									28.07	
23	02	23 / H	1.77	44.86	0.688	17.48	1.17	29.72	1.33	33.78	2.06	52.37	1.86	47.22	1.02	25.99
	0.938				23.83	1.26									32.00	
25	02	25 / J	1.89	48.03	0.750	19.05	1.20	30.48	1.35	34.29	2.13	53.98	1.92	48.74	1.07	27.18
	1.000				25.40	1.32									33.53	

EMI/RFI TERMINATION BANDS

Ball Band Lock Backshell

M85049	/128	-3
SERIES	SLASH #	CONFIGURATION
		Table A

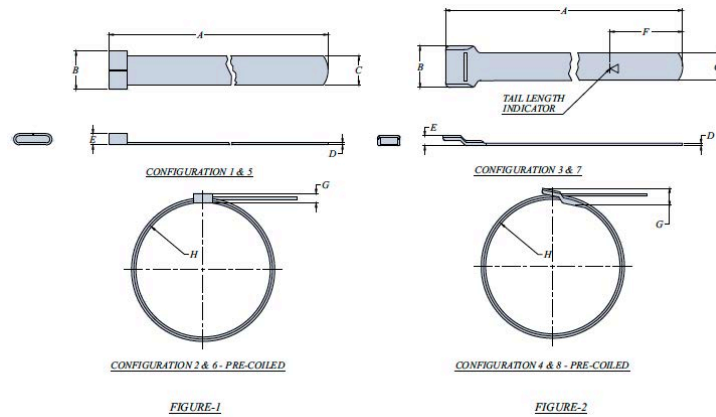


TABLE A

Configuration	Figure	A Ø		B		C		D		E		F		G		H	
		inch	mm	±0.030	±0.76	±0.010	±0.25	±0.003	±0.08	±0.015	±0.38	inch	mm	inch	mm	inch	mm
				inch	mm	inch	mm	inch	mm	inch	mm						
1	1	13.94/14.31	354.08/363.47	0.328	8.33	0.245	6.22	0.019	0.48	0.100	2.54	--	--	--	--	--	--
2	1	--	--	--	--	--	--	--	--	--	--	--	--	0.14	3.56	1.75	44.45
3	2	14.19/14.31	360.42/363.47	0.35	8.89	0.245	6.22	0.019	0.48	0.074	1.88	2.031	51.59	--	--	--	--
4	2	--	--	--	--	--	--	--	--	--	--	--	--	0.15	3.81	1.75	44.45
5	1	9.44/9.56	239.77/242.82	0.198	5.03	0.118	3.00	0.015	0.38	0.080	2.03	--	--	--	--	--	--
6	1	--	--	--	--	--	--	--	--	--	--	--	--	0.12	3.05	1.12	28.45
7	2	8.06/8.18	204.72/207.77	0.195	4.95	0.115	2.92	0.015	0.38	0.053	1.35	2.031	51.59	--	--	--	--
8	2	--	--	--	--	--	--	--	--	--	--	--	--	0.073	1.85	1.12	28.45

All Receptacle shells

M85049	/127	02
SERIES	SLASH #	ORDER NUMBER

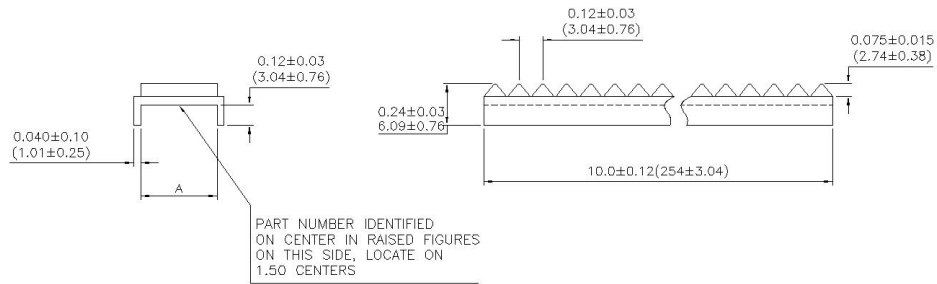


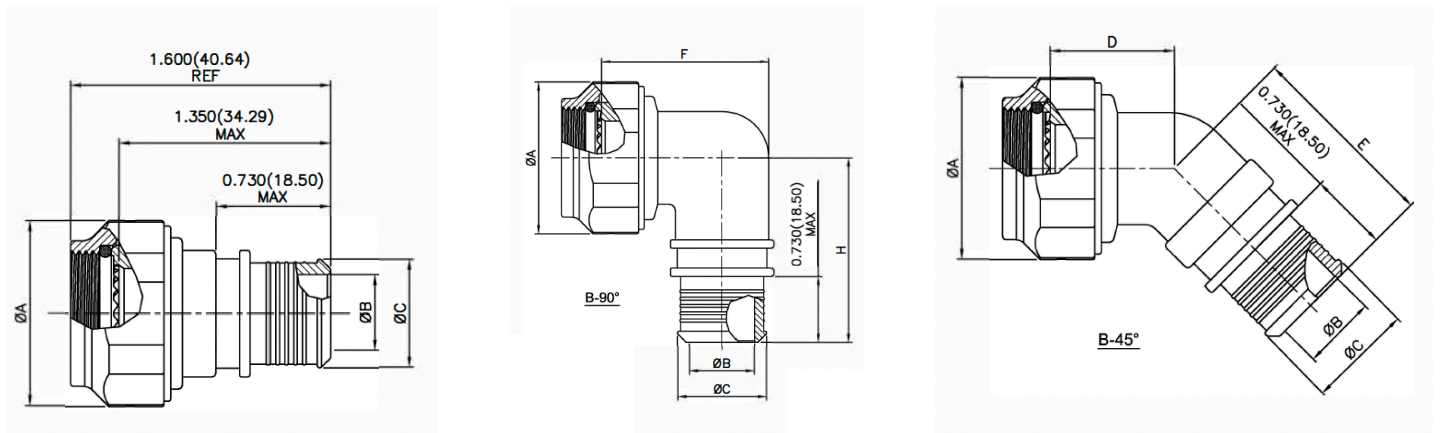
TABLE A				
Order Number	A		Applicable Accessories	Applicable Accessories
	0.031(±0.78)		/118, /120, /121, /123	/124, /126
	mm	inch	mm	inch
01	0.312	7.92	03-16	09-17
02	0.440	11.18	18-24 & 61	19-25
03	0.560	14.22	28-40	--

• Base Material is Silicone Rubber as per ASM3302

Straight, 90°, 45° MIL-DTL-38999 Series III & IV

Connector Group L

M85049	88	-	15	W	02
SERIES	SLASH #	LOCK	SHELL SIZE	FINISH	ENTRY SIZE
	88: Straight 89: 45° 90: 90°	Self Locking	09 11 13 15 17 19 21 23 25	J: Cadmium Olive Drab M: Electro Less Nickel L: Cadmium, Selective	Table - A



SHELL SIZE	CONNECTOR SHELL SIZE	ENTRY SIZE	A MAX		B Max		C Ref.		D Max		E Max		F Max		H Max	
			inch	mm	+0.025	-0.010	inch	mm	inch	mm	inch	mm	inch	mm	inch	mm
					inch	mm										
09	9/A	02	0.858	21.79	N/A	N/A	N/A	N/A	1.01	25.65	1.16	29.46	1.375	34.93	1.417	35.99
		03			0.250	6.35	0.395	10.03								
11	11/B	02	0.984	24.99	N/A	N/A	N/A	N/A	1.03	26.16	1.19	30.23	1.437	36.50	1.480	37.59
		03			0.312	7.92	0.457	11.61								
13	13/C	02	1.157	29.39	0.312	7.92	0.457	11.61	1.06	26.92	1.21	30.73	1.562	39.67	1.553	39.45
					0.438	11.13	0.583	14.81								
15	15/D	02	1.279	32.49	0.438	11.13	0.583	14.81	1.08	27.43	1.24	31.50	1.687	42.85	1.614	41.00
		03			0.562	14.27	0.707	17.96								
17	17/E	02	1.406	35.71	0.500	12.70	0.645	16.38	1.11	28.19	1.26	32.00	1.750	44.45	1.678	42.62
					0.625	15.88	0.770	19.56								
19	19/F	02	1.516	38.51	0.625	15.88	0.770	19.56	1.12	28.45	1.27	32.26	1.875	47.63	1.773	45.03
		03			0.750	19.05	0.895	22.73								
21	21/G	02	1.642	41.71	0.625	15.88	0.770	19.56	1.15	29.21	1.30	33.02	1.938	49.23	1.796	45.62
		03			0.812	20.62	0.957	24.31								
23	23/H	02	1.768	44.91	0.688	17.48	0.829	21.06	1.17	29.72	1.33	33.78	2.062	52.37	1.859	47.22
					0.938	23.83	1.083	27.51								
25	25/J	02	1.889	47.98	0.750	19.05	0.895	22.73	1.20	30.48	1.35	34.29	2.125	53.98	1.919	48.74
		03			1.000	25.40	1.145	29.08								

Works with all EMI Backshells

M85049	/93	-10
SERIES	SLASH #	ACCESSORY SHELL SIZE
		Table A

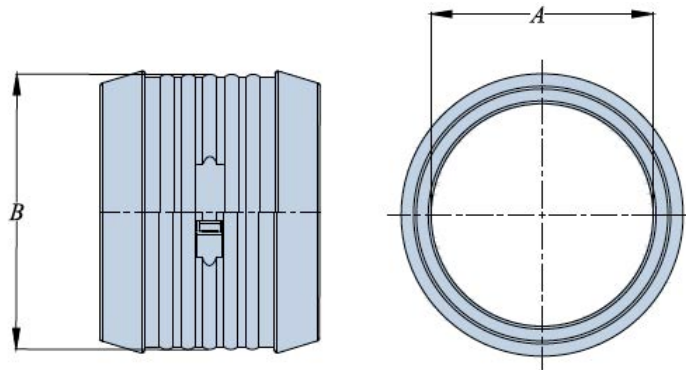


TABLE A				
Accessory Shell Size	A Ø Max.		B Max.	
	inch	mm	inch	mm
04	0.250	6.35	0.390	9.9
06	0.375	9.53	0.515	13.1
08	0.500	12.70	0.640	16.3
10	0.625	15.88	0.770	19.6
12	0.750	19.05	0.903	22.9
14	0.875	22.23	1.094	27.8
16	1.000	25.40	1.173	29.8
18	1.125	28.58	1.310	33.3
20	1.250	31.75	1.447	36.8
22	1.375	34.93	1.578	40.1
24	1.500	38.10	1.703	43.3
26	1.625	41.28	1.828	46.4
28	1.750	44.45	1.953	49.6

Straight; Spin Coupling

Connector Group L

MIL-DTL-38999 Series III & IV

M85049	/20	-11	W
SERIES	SLASH #	ACCESSORY SHELL SIZE	FINISH
	20: Straight	Table A	N: Electroless Nickel W: Cadmium Olive Drab over Electroless Nickel Z: Black Zinc Nickel

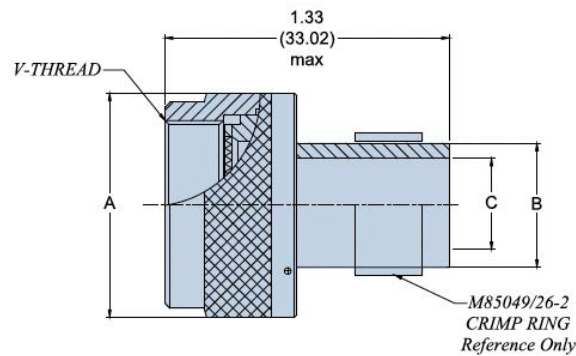


TABLE-A

Accessory Shell Size	Connector Shell Size	Ø A Max.		Ø B Max.		Ø C Max.	
		inch	mm	inch	mm	inch	mm
9	9 / A	0.75	19.05	0.27	6.73	0.35	8.81
11	11 / B	0.85	21.59	0.34	8.71	0.50	12.65
13	13 / C	1.00	25.40	0.44	11.10	0.51	12.95
15	15 / D	1.10	27.94	0.56	14.27	0.63	16.00
17	17 / E	1.25	31.75	0.69	17.45	0.76	19.30
19	19 / F	1.40	35.56	0.81	20.62	0.89	22.61
21	21 / G	1.50	38.10	0.94	23.80	1.01	25.65
23	23 / H	1.65	41.91	1.05	26.57	1.13	28.70
25	25 / J	1.75	44.45	1.13	28.58	1.20	30.53

Straight; Spin Coupling

Connector Group J

MIL-DTL-26482 Series II; MIL-DTL-83723 Series III; AS50151; AS81703

M85049	/26-1	-10	W
SERIES	SLASH #	ACCESSORY SHELL SIZE	FINISH
	26: Straight, Spin Coupling - Table A: 26-1 & 26-3 - Table B: 26-2	Table A	N: Electroless Nickel W: Cadmium Olive Drab over Electroless Nickel Z: Black Zinc Nickel

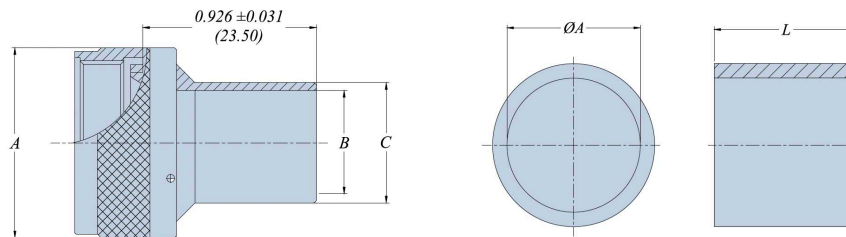


TABLE A

Accessory Shell Size	Connector Shell Size	Ø A Max.		B Max.		C Max.		Ø D Max.		Ø E Max.	
		inch	mm	inch	mm	inch	mm	inch	mm	inch	mm
8	8	0.62	15.67	1.28	32.44	0.96	24.38	0.25	6.35	0.35	8.81
10	10	0.73	18.64	1.28	32.44	0.96	24.38	0.33	8.26	0.50	12.70
12	7/12	0.86	21.79	1.28	32.44	0.96	24.38	0.42	10.67	0.51	12.95
14	12/14	0.98	24.99	1.28	32.44	0.96	24.38	0.54	13.72	0.63	16.00
16	19/16	1.11	28.24	1.28	32.44	0.96	24.38	0.67	17.02	0.76	19.30
18	27/18	1.22	30.94	1.28	32.44	0.96	24.38	0.79	20.04	0.89	22.61
20	37/20	1.35	34.16	1.28	32.44	0.96	24.38	0.91	23.22	1.01	25.65
22	22	1.47	37.29	1.28	32.44	0.96	24.38	1.04	26.39	1.13	28.70
24	24	1.59	40.46	1.28	32.44	0.96	24.38	1.11	28.24	1.20	30.48
28	28	1.97	50.01	1.44	36.55	0.96	24.38	1.39	35.28	1.56	39.62
32	32	2.22	56.36	1.44	36.55	0.96	24.38	1.64	41.53	1.81	45.97
36	36	2.47	62.71	1.44	36.55	0.96	24.38	1.85	46.99	2.06	52.32
40	40	2.72	69.06	1.44	36.55	0.96	24.38	2.07	52.45	2.31	58.67
44	44	2.97	75.41	1.44	36.55	0.96	24.38	2.32	58.93	2.56	65.02
48	48	3.22	81.76	1.44	36.55	0.96	24.38	2.57	65.28	2.81	71.37

TABLE B

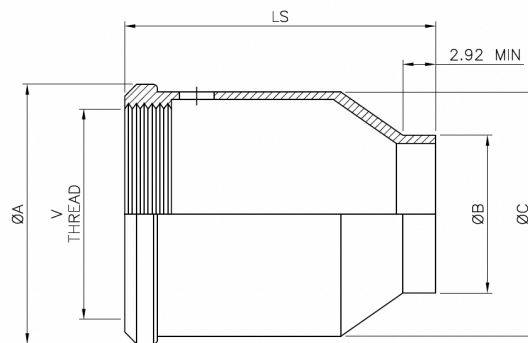
Accessory Shell Size	Connector Shell Size	Part Number Color	X Ø				Y Ø				Z	
			Min.		Max.		Min.		Max.		inch	mm
			inch	mm	inch	mm	inch	mm	inch	mm	inch	mm
8	8	Green	0.45	11.38	0.46	11.63	0.40	10.16	0.41	10.41	0.25	6.35
10	10	Red	0.66	16.76	0.68	17.27	0.59	14.86	0.60	15.11	0.44	11.18
12	7/12	Red	0.66	16.76	0.68	17.27	0.59	14.86	0.60	15.11	0.44	11.18
14	12/14	Blue	0.78	19.81	0.80	20.32	0.71	17.91	0.72	18.16	0.44	11.18
16	19/16	Gray	0.91	23.11	0.93	23.62	0.84	21.21	0.85	21.46	0.44	11.18
18	27/18	Brown	1.08	27.43	1.10	27.94	1.01	25.53	1.02	25.78	0.44	11.18
20	37/20	Green	1.20	30.48	1.22	30.99	1.13	28.58	1.14	28.83	0.44	11.18
22	22	Pink	1.32	33.53	1.34	34.04	1.25	31.62	1.26	31.88	0.44	11.18
24	24	Yellow	1.39	35.23	1.41	35.74	1.31	33.32	1.32	33.58	0.44	11.18
28	28	Red	1.74	44.20	1.76	44.70	1.67	42.29	1.68	42.55	0.44	11.18
32	32	Gray	1.99	50.55	2.01	51.05	1.92	48.64	1.93	48.90	0.44	11.18
36	36	Green	2.24	56.90	2.26	57.40	2.17	54.99	2.18	55.25	0.44	11.18
40	40	Orange	2.49	63.25	2.51	63.75	2.42	61.34	2.43	61.60	0.44	11.18
44	44	Yellow	2.74	69.60	2.76	70.10	2.67	67.69	2.68	67.95	0.44	11.18
48	48	Blue	2.99	75.95	3.01	76.45	2.92	74.04	2.93	74.30	0.44	11.18

Straight; Spin Coupling

Connector Group K

MIL-DTL-38999 Series I & Series II

M85049	/33-1	-10
SERIES	SLASH #	ACCESSORY SHELL SIZE
	33-1: Straight	Table A



FINISH
Aluminium Alloy

TABLE-A

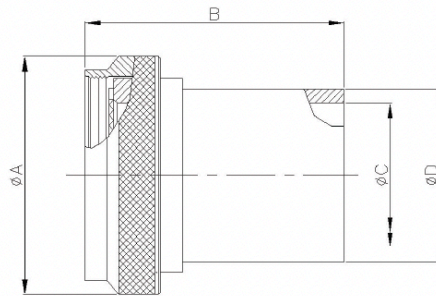
Accessory Shell Size	Connector Shell Size	A Ø Max.		B Max.		Ø C Max.		LS Max.		V Thread UNEF Class 2B	
		inch	mm	inch	mm	inch	mm	inch	mm	inch	mm
08	8 / 9	0.59	15.09	0.36	9.12	0.52	13.11	0.84	21.44	0.4375-28	11.11
10	10 / 11	0.72	18.26	0.41	10.31	0.64	16.28	0.97	24.61	0.5625-24	14.29
12	12 / 13	0.84	21.44	0.50	12.7	0.77	19.46	1.09	27.79	0.6875-24	17.46
14	14 / 15	0.97	24.61	0.58	14.68	0.89	22.63	1.16	29.36	0.8125-20	20.64
16	16 / 17	1.09	27.79	0.64	16.28	1.02	25.81	1.22	30.96	0.9375-20	23.81
18	18 / 19	1.22	30.96	0.69	17.48	1.14	28.98	1.34	34.14	1.0625-18	26.99
20	20 / 21	1.34	34.14	0.73	18.64	1.26	32.13	1.47	37.31	1.1875-x18	30.16
22	22 / 23	1.47	37.31	0.80	20.22	1.39	35.33	1.59	40.49	1.3125-18	33.34
24	24 / 25	1.59	40.49	0.86	21.82	1.52	38.51	1.72	43.66	1.4375-18	36.51

Straight; Spin Coupling

Connector Group K

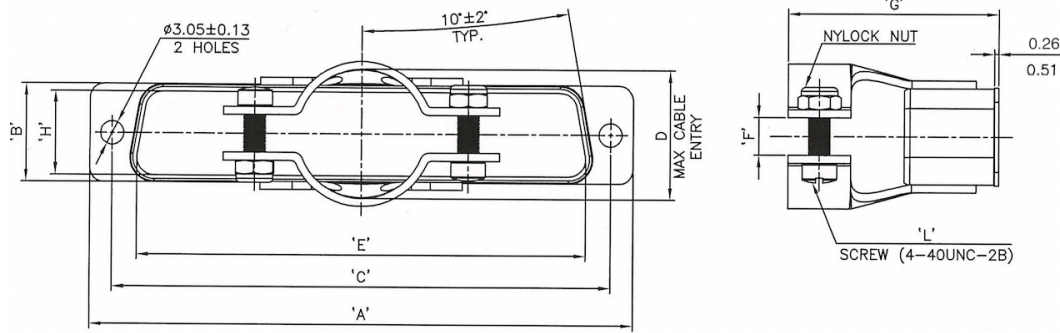
MIL-DTL-38999 Series I & II

M85049	/33-2	-10	W
SERIES	SLASH #	ACCESSORY SHELL SIZE	FINISH
	33-2: Straight	Table A=	N: Electroless Nickel W: Cadmium Olive Drab over Electroless Nickel Z: Black Zinc Nickel



Accessory Shell Size	Connector Shell Size	A Ø Max.		B Max.		Ø C Max.		Ø D Max.	
		inch	mm	inch	mm	inch	mm	inch	mm
08	8 / 9	0.75	19.05	1.14	28.96	0.27	6.86	0.35	8.89
10	10 / 11	0.85	21.59	1.14	28.96	0.34	8.64	0.50	12.70
12	12 / 13	1.00	25.40	1.14	28.96	0.44	11.18	0.51	12.95
14	14 / 15	1.10	27.94	1.14	28.96	0.56	14.22	0.63	16.00
16	16 / 17	1.25	31.75	1.14	28.96	0.69	17.53	0.76	19.30
18	18 / 19	1.40	35.56	1.14	28.96	0.80	20.32	0.89	22.61
20	20 / 21	1.50	38.10	1.14	28.96	0.93	23.62	1.01	25.65
22	22 / 23	1.65	41.91	1.14	28.96	1.05	26.67	1.13	28.70
24	24 / 25	1.75	44.45	1.14	28.96	1.13	28.70	1.20	30.48

M85049	/48-2	-3	F
SERIES	SLASH #	DASH #	BASE MATERIAL
	D-Sub Backshell	Table A	F: Cadmium Yellow Passivation N: Electroless Nickel



DASH #	Part Number		# of Pins		A		B		C		D		E	
	Cadmium Yellow Passivation	Electroless Nickel	Std. Density	High Density	inch	mm	inch	mm	inch	mm	inch	mm	inch	mm
1	M85049/48-2-1F	M85049/48-2-1N	9	15	1.223	31.06	.515	13.08	.989	25.12	0.406	10.31	.676	17.17
					1.193	30.30	.485	12.32	.979	24.87			.646	16.41
2	M85049/48-2-2F	M85049/48-2-2N	15	26	1.546	39.27	.515	13.08	1.317	33.45	0.406	10.31	.999	25.37
					1.516	38.51	.485	12.32	1.307	33.20			.969	24.61
3	M85049/48-2-3F	M85049/48-2-3N	25	44	2.093	53.16	.515	13.08	1.857	47.17	0.593	15.06	1.530	38.86
					2.063	52.40	.485	12.32	1.847	46.91			1.500	38.10
4	M85049/48-2-4F	M85049/48-2-4N	37	62	2.733	69.42	.515	13.08	2.505	63.63	0.718	18.24	2.186	55.52
					2.703	68.66	.485	12.32	2.495	63.37			2.156	54.76
5	M85049/48-2-5F	M85049/48-2-5N	50	78	2.640	67.06	.624	15.85	2.411	61.24	0.812	20.62	2.108	53.54
					2.610	66.29	.594	15.09	2.401	60.99			2.078	52.78

DASH #	Part Number		# of Pins		F		G		H		L	
	Cadmium Yellow Passivation	Electroless Nickel	Std. Density	High Density	inch	mm	inch	mm	inch	mm	+/-0.031; +/-0.78	
											inch	mm
1	M85049/48-2-1F	M85049/48-2-1N	9	15	.140	3.56	1.061	26.95	.359	9.12	0.375	9.53
					.110	2.79	1.001	25.43	.329	8.36		
2	M85049/48-2-2F	M85049/48-2-2N	15	26	.140	3.56	1.061	26.95	.359	9.12	0.375	9.53
					.110	2.79	1.001	25.43	.329	8.36		
3	M85049/48-2-3F	M85049/48-2-3N	25	44	.202	5.13	1.092	27.74	.359	9.12	0.375	9.53
					.172	4.37	1.032	26.21	.329	8.36		
4	M85049/48-2-4F	M85049/48-2-4N	37	62	.265	6.73	1.092	27.74	.359	9.12	0.500	12.70
					.235	5.97	1.032	26.21	.329	8.36		
5	M85049/48-2-5F	M85049/48-2-5N	50	78	.327	8.31	1.092	27.74	.453	11.51	0.625	15.88
					.297	7.54	1.032	26.21	.423	10.74		

MIL-DTL-38999 Series III & IV

Connector Group L

D38999	/22	B	A
SERIES	SLASH #	CLASS	FINISH
		<p>A, A1, A2, B, C, D, E, F, G, H, J</p> <p>A: For universal configuration for use with plugs with mating key polarization A, B, C, D, E, N</p> <p>A1: Use with plugs with mating key polarization C, E, N</p> <p>A2: Use with plugs with mating key polarization A, B, D</p>	<p>F: Electroless Nickel</p> <p>W: Cadmium Olive Drab</p> <p>Z: Black Zinc Nickel</p>

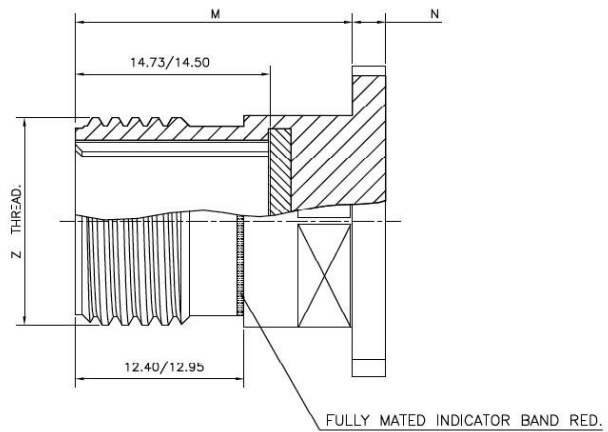
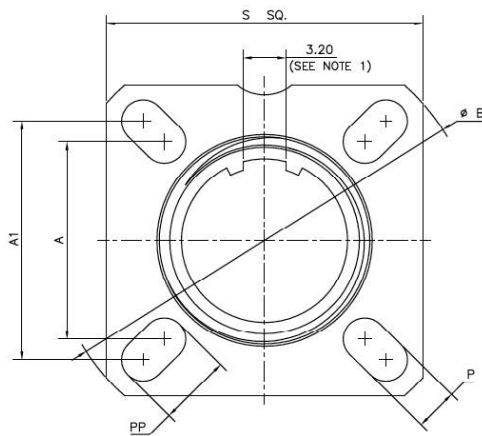
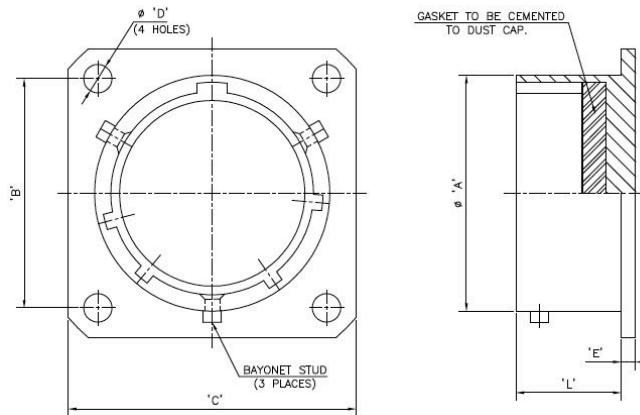


TABLE A

Shell Size	Class	A		A1		B		M		N		P		PP		S Max.		Z -2A R.H. THREAD
		mm	inch	mm	inch	±0.20		mm	inch	mm	inch	±0.20		±0.20				
						mm	inch					mm	inch	mm	inch			
09	A	15.09	0.59	18.26	0.71	31.75	1.25	20.83	0.82	2.50	0.09	3.25	0.12	4.93	0.19	24.10	0.94	5/8" 0.1P-.3L-TS
	A1															26.50	1.04	3/4" 0.1P-.3L-TS
	A2															28.90	1.13	7/8" 0.1P-.3L-TS
11	B	18.26	0.71	20.62	0.81	34.93	1.37					26.50	1.04	3/4" 0.1P-.3L-TS				
13	C	20.62	0.81	23.01	0.90	38.10	1.5					28.90	1.13	7/8" 0.1P-.3L-TS				
15	D	23.01	0.90	24.61	0.96	41.28	1.62					31.30	1.23	1.0" 0.1P-.3L-TS				
17	E	24.61	0.96	26.97	1.06	44.45	1.75					33.70	1.32	1 3/16" 0.1P-.3L-TS				
19	F	26.97	1.061	29.36	1.15	47.63	1.87					36.90	1.45	1 1/4" 0.1P-.3L-TS				
21	G	29.36	1.15	31.75	1.25	50.80	2.00					40.10	1.57	1 3/8" 0.1P-.3L-TS				
23	H	31.75	1.25	34.93	1.37	55.58	2.18					43.30	1.70	1 1/2" 0.1P-.3L-TS				
25	J	34.93	1.37	38.10	1.5	60.33	2.37	46.40	1.82	1 5/8" 0.1P-.3L-TS								

MIL-DTL-26482, Series I & II

JANMS3115	12	W
SERIES	ACCESSORY SHELL SIZE	FINISH
	8	A: Hard Anodized Black W: Cadmium Olive Drab L: Electroless Nickel
	10	
	12	
	14	
	16	
	18	
	20	
22		
	24	



Accessory Shell Size	A		B		C Max		D		E		L	
	+0.03/-0.13		mm	inch	mm	inch	±0.13		±0.41		+0.79/-0	
	mm	inch					mm	inch	mm	inch	mm	inch
8	12.01	0.47	15.09	0.59	21.03	0.82	3.05	0.12	1.57	0.06	11.73	0.46
10	14.99	0.59	18.26	0.71	24.23	0.95	3.05	0.12	1.57	0.06	11.73	0.46
12	19.05	0.75	20.62	0.82	26.59	1.05	3.05	0.12	1.57	0.06	11.73	0.46
14	22.22	0.87	23.01	0.91	28.98	1.14	3.05	0.12	1.57	0.06	11.73	0.46
16	25.40	1	24.61	0.97	31.34	1.23	3.05	0.12	1.57	0.06	11.73	0.46
18	28.57	1.12	26.97	1.06	33.73	1.33	3.05	0.12	1.57	0.06	11.73	0.46
20	31.75	1.25	29.36	1.16	36.91	1.45	3.05	0.12	2.39	0.09	14.12	0.56
22	34.92	1.37	31.75	1.25	40.08	1.58	3.05	0.12	2.39	0.09	14.12	0.56
24	38.10	1.5	34.93	1.38	43.26	1.70	3.73	0.15	2.39	0.09	14.96	0.59

90° & 45°; SPIN COUPLING

Connector Group J

MIL-DTL-26482 Series II; MIL-DTL-83723 Series III; AS50151; AS81703

M85049	/7	-10	W
SERIES	SLASH #	DASH #	FINISH
	7: 45° 9: 90°	Table A	N: Electroless Nickel W: Cadmium Olive Drab Z: Black Zinc Nickel

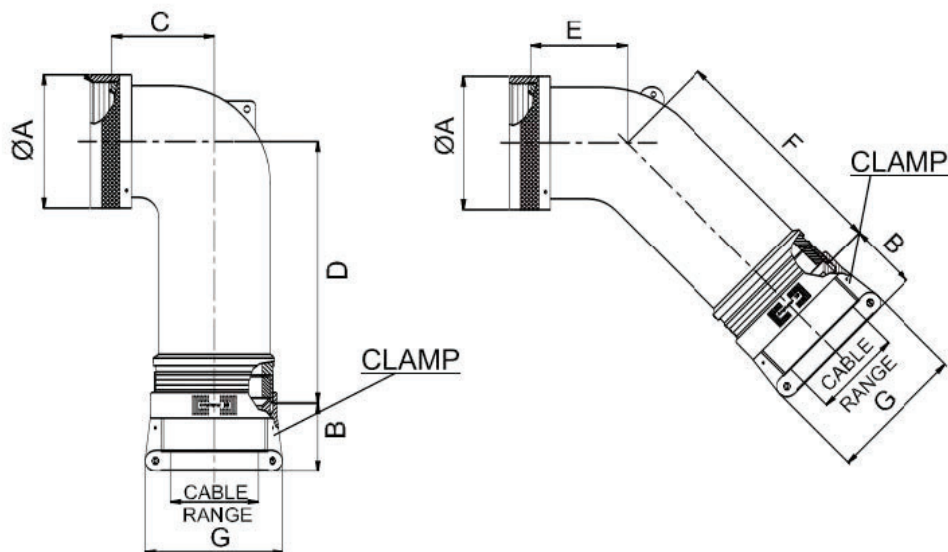


TABLE A

Accessory Shell Size	DASH #	Connector Shell Size	A Ø Max.		B Max.		C Ref.		D Max.		E Max.		F Max.		G Max.		Cable Range			
			inch	mm	inch	mm	inch	mm	inch	mm	inch	mm	inch	mm	inch	mm	Min.	Max.	inch	mm
			8	3	8	0.62	15.67	1.03	26.09	0.67	17.02	1.26	32.00	0.63	16.00	1.25	31.75	0.96	24.31	0.13
10	4	10	0.73	18.64	1.03	26.09	0.76	19.30	1.98	50.29	0.69	17.53	1.92	48.77	0.96	24.31	0.13	3.18	0.31	7.92
	49		0.73	18.64	1.03	26.09	1.52	38.61	2.00	50.80	1.50	38.10	1.98	50.29	1.15	29.08	0.25	6.35	0.44	11.10
	5		0.73	18.64	1.03	26.09	0.76	19.30	1.38	35.05	0.69	17.53	1.31	33.27	1.15	29.08	0.25	6.35	0.38	9.53
12	6	7/12	0.86	21.79	1.03	26.09	0.77	19.56	2.00	50.80	0.75	19.05	1.98	50.29	0.96	24.31	0.13	3.18	0.31	7.92
	71		0.86	21.79	1.03	26.09	1.81	45.97	2.16	54.86	1.65	41.91	2.18	55.37	1.33	33.83	0.35	8.89	0.63	15.88
	7		0.86	21.79	1.03	26.09	0.77	19.56	2.00	50.80	0.75	19.05	1.98	50.29	1.15	29.08	0.25	6.35	0.44	11.10
	8		0.86	21.79	1.03	26.09	0.77	19.56	1.40	35.56	0.75	19.05	1.98	50.29	1.33	33.83	0.35	8.89	0.50	12.70
14	9	12/14	0.98	24.99	1.03	26.09	0.87	22.10	2.07	52.58	0.81	20.57	2.07	52.58	1.15	29.08	0.25	6.35	0.44	11.10
	10		0.98	24.99	1.03	26.09	0.87	22.10	1.72	43.69	0.81	20.57	1.72	43.69	1.33	33.83	0.35	8.89	0.58	14.61
	50		0.98	24.99	1.06	26.90	1.89	48.01	2.33	59.18	1.84	46.74	2.37	60.20	1.55	39.40	0.50	12.70	0.75	19.05
	74		0.98	24.99	1.03	26.09	0.87	22.10	2.07	52.58	0.81	20.57	2.07	52.58	0.96	24.31	0.13	3.18	0.31	7.92
16	11	19/16	1.11	28.24	1.03	26.09	1.05	26.67	2.16	54.86	0.91	23.11	2.18	55.37	1.15	29.08	0.25	6.35	0.44	11.10
	12		1.11	28.24	1.06	26.90	1.05	26.67	1.81	45.97	0.91	23.11	1.82	46.23	1.55	39.40	0.50	12.70	0.70	17.78
	40		1.11	28.24	1.03	26.09	1.05	26.67	2.16	54.86	0.91	23.11	2.18	55.37	1.33	33.83	0.35	8.89	0.63	15.88
	51		1.11	28.24	1.16	29.36	2.04	51.82	2.44	61.98	1.94	49.28	2.52	64.01	1.77	44.96	0.63	15.88	0.94	23.80
	75		1.11	28.24	1.03	26.09	1.05	26.67	2.16	54.86	0.91	23.11	2.18	55.37	0.96	24.31	0.13	3.18	0.31	7.92

90° & 45°; SPIN COUPLING

Connector Group J

MIL-DTL-26482 Series II; MIL-DTL-83723 Series III; AS50151; AS81703

TABLE A																				
Accessory Shell Size	DASH #	Connector Shell Size	A Ø Max.		B Max.		C Ref.		D Max.		E Max.		F Max.		G Max.		Cable Range			
																	Min.		Max.	
			inch	mm	inch	mm	inch	mm	inch	mm	inch	mm	inch	mm	inch	mm	inch	mm	inch	mm
18	13	27/18	1.22	30.94	1.03	26.09	1.14	28.96	2.33	59.18	1.09	27.69	2.37	60.20	1.33	33.83	0.35	8.89	0.63	15.88
	14		1.22	30.94	1.16	29.36	1.14	28.96	1.98	50.29	1.09	27.69	2.00	50.80	1.77	44.96	0.63	15.88	0.78	19.79
	41		1.22	30.94	1.03	26.09	1.14	28.96	2.33	59.18	1.09	27.69	2.37	60.20	0.96	24.31	0.13	3.18	0.31	7.92
	42		1.22	30.94	1.03	26.09	1.14	28.96	2.33	59.18	1.09	27.69	2.37	60.20	1.15	29.08	0.25	6.35	0.44	11.10
	52		1.22	30.94	1.06	26.90	1.14	28.96	2.33	59.18	1.09	27.69	2.37	60.20	1.55	39.40	0.50	12.70	0.75	19.05
	72		1.22	30.94	1.16	29.36	2.05	52.07	2.44	61.98	1.94	49.28	2.52	64.01	1.77	44.96	0.63	15.88	0.94	23.80
20	15	37/20	1.35	34.16	1.03	26.09	1.14	28.96	2.33	59.18	1.09	27.69	2.37	60.20	1.33	33.83	0.35	8.89	0.63	15.88
	16		1.35	34.16	1.16	29.36	1.14	28.96	1.98	50.29	1.09	27.69	2.00	50.80	1.77	44.96	0.63	15.88	0.90	22.96
	43		1.35	34.16	1.03	26.09	1.14	28.96	2.33	59.18	1.09	27.69	2.37	60.20	1.15	29.08	0.25	6.35	0.44	11.10
	54		1.35	34.16	1.06	26.90	1.14	28.96	2.33	59.18	1.09	27.69	2.37	60.20	1.55	39.40	0.50	12.70	0.75	19.05
	55		1.35	34.16	1.38	34.93	2.14	54.36	2.61	66.29	2.06	52.32	2.57	65.28	2.11	53.67	0.88	22.23	1.25	31.75
22	17	22	1.47	37.29	1.06	26.90	1.29	32.77	2.44	61.98	1.19	30.23	2.52	64.01	1.55	39.40	0.50	12.70	0.75	19.05
	18		1.47	37.29	1.38	34.93	1.29	32.77	2.09	53.09	1.19	30.23	2.16	54.86	2.11	53.67	0.88	22.23	1.03	26.14
	44		1.47	37.29	1.03	26.09	1.29	32.77	2.44	61.98	1.19	30.23	2.52	64.01	0.96	24.31	0.13	3.18	0.31	7.92
	45		1.47	37.29	1.03	26.09	1.29	32.77	2.44	61.98	1.19	30.23	2.52	64.01	1.15	29.08	0.25	6.35	0.44	11.10
	56		1.47	37.29	1.03	26.09	1.29	32.77	2.44	61.98	1.19	30.23	2.52	64.01	1.33	33.83	0.35	8.89	0.63	15.88
	57		1.47	37.29	1.16	29.36	1.29	32.77	2.44	61.98	1.19	30.23	2.52	64.01	1.77	44.96	0.63	15.88	0.94	23.80
	58		1.47	37.29	1.38	34.93	2.14	54.36	2.61	66.29	2.06	52.32	2.57	65.28	2.11	53.67	0.88	22.23	1.25	31.75
	24		19	24	1.59	40.46	1.06	26.90	1.29	32.77	2.44	61.98	1.19	30.23	2.52	64.01	1.55	39.40	0.50	12.70
20		1.59	40.46		1.38	34.93	1.29	32.77	2.09	53.09	1.19	30.23	2.16	54.86	2.11	53.67	0.88	22.23	1.14	29.06
46		1.59	40.46		1.03	26.09	1.29	32.77	2.44	61.98	1.19	30.23	2.52	64.01	1.33	33.83	0.35	8.89	0.63	15.88
59		1.59	40.46		1.16	29.36	1.29	32.77	2.44	61.98	1.19	30.23	2.52	64.01	1.77	44.96	0.63	15.88	0.94	23.80
73		1.59	40.46		1.38	34.93	2.15	54.61	2.61	66.29	2.06	52.32	2.57	65.28	2.12	53.75	0.88	22.23	1.25	31.75
28	21	28	1.97	50.01	1.16	29.36	1.39	35.31	2.61	66.29	1.31	33.27	2.57	65.28	1.77	44.96	0.63	15.88	0.94	23.80
	22		1.97	50.01	1.50	38.10	1.39	35.31	2.26	57.40	1.31	33.27	2.22	56.39	2.36	60.02	1.00	25.40	1.38	34.93
	60		1.97	50.01	1.06	26.90	1.39	35.31	2.61	66.29	1.31	33.27	2.57	65.28	1.55	39.40	0.50	12.70	0.75	19.05
	61		1.97	50.01	1.38	34.93	1.39	35.31	2.61	66.29	1.31	33.27	2.57	65.28	2.11	53.67	0.88	22.23	1.25	31.75
32	23	32	2.22	56.36	1.16	29.36	1.74	44.20	2.86	72.64	1.38	35.05	2.67	67.82	1.77	44.96	0.63	15.88	0.94	23.80
	24		2.22	56.36	1.38	34.93	1.74	44.20	2.86	72.64	1.38	35.05	2.67	67.82	2.11	53.67	0.88	22.23	1.25	31.75
	25		2.22	56.36	1.78	45.24	1.74	44.20	2.51	63.75	1.38	35.05	2.32	58.93	2.77	70.36	1.25	31.75	1.63	41.28
	62		2.22	56.36	1.50	38.10	1.74	44.20	2.86	72.64	1.38	35.05	2.67	67.82	2.36	60.02	1.00	25.40	1.38	34.93
36	26	36	2.47	62.71	1.16	29.36	1.94	49.28	2.83	71.88	1.41	35.81	2.76	70.10	1.77	44.96	0.63	15.88	0.94	23.80
	27		2.47	62.71	1.50	38.10	1.94	49.28	2.83	71.88	1.41	35.81	2.76	70.10	2.36	60.02	1.00	25.40	1.38	34.93
	28		2.47	62.71	1.83	46.48	1.94	49.28	2.48	62.99	1.41	35.81	2.41	61.21	3.02	76.71	1.44	36.50	1.88	46.74
	47		2.47	62.71	1.06	26.90	1.94	49.28	2.83	71.88	1.41	35.81	2.76	70.10	1.55	39.40	0.50	12.70	0.75	19.05
	63		2.47	62.71	1.38	34.93	1.94	49.28	2.83	71.88	1.41	35.81	2.76	70.10	2.11	53.67	0.88	22.23	1.25	31.75
	64		2.47	62.71	1.78	45.24	1.94	49.28	2.83	71.88	1.41	35.81	2.76	70.10	2.77	70.36	1.25	31.75	1.63	41.28
40	29	40	2.72	69.06	1.16	29.36	2.69	68.33	2.83	71.88	2.16	54.86	2.76	70.10	1.77	44.96	0.63	15.88	0.94	23.80
	30		2.72	69.06	1.50	38.10	2.69	68.33	2.83	71.88	2.16	54.86	2.76	70.10	2.36	60.02	1.00	25.40	1.38	34.93
	31		2.72	69.06	1.83	46.48	2.69	68.33	2.48	62.99	2.16	54.86	2.41	61.21	3.02	76.71	1.44	36.50	1.88	47.63
	48		2.72	69.06	1.06	26.90	1.94	49.28	2.83	71.88	2.16	54.86	2.76	70.10	1.55	39.40	0.50	12.70	0.75	19.05
	65		2.72	69.06	1.38	34.93	2.69	68.33	2.83	71.88	2.16	54.86	2.76	70.10	2.11	53.67	0.88	22.23	1.25	31.75
	66		2.72	69.06	1.78	45.24	2.69	68.33	2.83	71.88	2.16	54.86	2.76	70.10	2.77	70.36	1.25	31.75	1.63	41.28
44	32	44	2.97	75.41	1.16	29.36	2.69	68.33	2.83	71.88	2.16	54.86	2.76	70.10	1.77	44.96	0.63	15.88	0.94	23.80
	33		2.97	75.41	1.50	38.10	2.69	68.33	2.83	71.88	2.16	54.86	2.76	70.10	2.36	60.02	1.00	25.40	1.38	34.93
	34		2.97	75.41	1.83	46.48	2.69	68.33	2.48	62.99	2.16	54.86	2.41	61.21	3.02	76.71	1.44	36.50	1.88	47.63
	67		2.97	75.41	1.38	34.93	2.69	68.33	2.83	71.88	2.16	54.86	2.76	70.10	2.11	53.67	0.88	22.23	1.25	31.75
	68		2.97	75.41	1.78	45.24	2.69	68.33	2.83	71.88	2.16	54.86	2.76	70.10	2.77	70.36	1.25	31.75	1.63	41.28
48	35	48	3.22	81.76	1.16	29.36	2.69	68.33	2.83	71.88	2.16	54.86	2.76	70.10	1.77	44.96	0.63	15.88	0.94	23.80
	36		3.22	81.76	1.50	38.10	2.69	68.33	2.83	71.88	2.16	54.86	2.76	70.10	2.36	60.02	1.00	25.40	1.38	34.93
	37		3.22	81.76	1.83	46.48	2.69	68.33	2.48	62.99	2.16	54.86	2.41	61.21	3.02	76.71	1.44	36.50	1.88	47.63
	69		3.22	81.76	1.38	34.93	2.69	68.33	2.83	71.88	2.16	54.86	2.76	70.10	2.11	53.67	0.88	22.23	1.25	31.75
	70		3.22	81.76	1.78	45.24	2.69	68.33	2.83	71.88	2.16	54.86	2.76	70.10	2.77	70.36	1.25	31.75	1.63	41.28

Straight, Spin Coupling

Connector Group J

MIL-DTL-26482 Series II; MIL-DTL-83723 Series III; AS50151; AS81703

M85049	/11	-10	W
SERIES	SLASH #	DASH #	FINISH
	11: Straight, Spin Coupling	Table A	N: Electroless Nickel W: Cadmium Olive Drab Z: Black Zinc Nickel

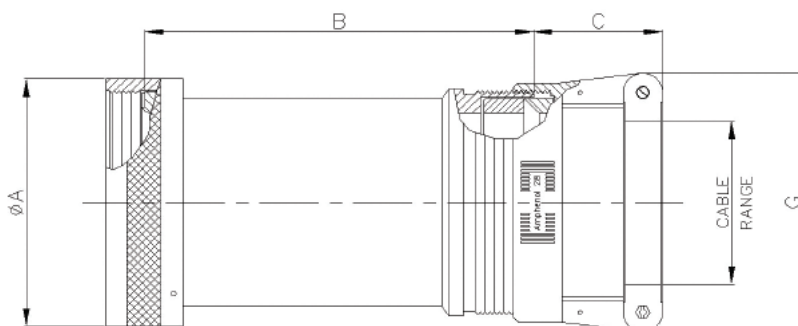


TABLE A

Accessory Shell Size	DASH #	Connector Shell Size	A Ø Max.		B Max.		C Ref.		G Max.		Cable Range			
											Min.		Max.	
			inch	mm	inch	mm	inch	mm	inch	mm	inch	mm	inch	mm
08	05	8	0.62	15.67	2.13	54.10	1.03	26.09	0.96	24.31	0.13	3.18	0.25	6.35
	06		0.62	15.67	3.13	79.50	1.03	26.09	0.96	24.31	0.13	3.18	0.25	6.35
	07		0.62	15.67	2.88	73.15	1.03	26.09	1.15	29.08	0.25	6.35	0.44	11.10
	8		0.62	15.67	3.88	98.55	1.03	26.09	1.15	29.08	0.25	6.35	0.44	11.10
10	9	10	0.73	18.64	2.13	54.10	1.03	26.09	0.96	24.31	0.13	3.18	0.31	7.92
	10		0.73	18.64	3.13	79.50	1.03	26.09	0.96	24.31	0.13	3.18	0.31	7.92
	11		0.73	18.64	2.88	73.15	1.03	26.09	1.15	29.08	0.25	6.35	0.44	11.10
	12		0.73	18.64	3.88	98.55	1.03	26.09	1.15	29.08	0.25	6.35	0.44	11.10
	136		0.73	18.64	2.13	54.10	1.03	26.09	1.15	29.08	0.25	6.35	0.38	9.53
12	137	7/12	0.73	18.64	3.13	79.50	1.03	26.09	1.15	29.08	0.25	6.35	0.38	9.53
	13		0.86	21.79	2.13	54.10	1.03	26.09	1.15	29.08	0.25	6.35	0.44	11.10
	14		0.86	21.79	3.13	79.50	1.03	26.09	1.15	29.08	0.25	6.35	0.44	11.10
	15		0.86	21.79	2.88	73.15	1.03	26.09	1.33	33.83	0.35	8.89	0.63	15.88
	16		0.86	21.79	3.88	98.55	1.03	26.09	1.33	33.83	0.35	8.89	0.63	15.88
	111		0.86	21.79	2.13	54.10	1.03	26.09	1.33	33.83	0.35	8.89	0.50	12.70
	114		0.86	21.79	2.13	54.10	1.03	26.09	0.96	24.31	0.13	3.18	0.31	7.92
	115		0.86	21.79	3.13	79.50	1.03	26.09	0.96	24.31	0.13	3.18	0.31	7.92
14	138	12/14	0.86	21.79	2.13	54.10	1.03	26.09	1.33	33.83	0.35	8.89	0.50	12.70
	139		0.86	21.79	3.13	79.50	1.03	26.09	1.33	33.83	0.35	8.89	0.50	12.70
	17		0.98	24.99	2.13	54.10	1.03	26.09	1.33	33.83	0.35	8.89	0.58	14.61
	18		0.98	24.99	3.13	79.50	1.03	26.09	1.33	33.83	0.35	8.89	0.58	14.61
	19		0.98	24.99	2.88	73.15	1.06	26.90	1.55	39.40	0.50	12.70	0.75	19.05
	20		0.98	24.99	3.88	98.55	1.06	26.90	1.55	39.40	0.50	12.70	0.75	19.05
	116		0.98	24.99	2.13	54.10	1.03	26.09	1.15	29.08	0.25	6.35	0.44	11.10
	117		0.98	24.99	3.13	79.50	1.03	26.09	1.15	29.08	0.25	6.35	0.44	11.10
16	150	19/16	0.98	24.99	2.13	54.10	1.03	26.09	0.96	24.31	0.13	3.18	0.31	7.92
	151		0.98	24.99	3.13	79.50	1.03	26.09	0.96	24.31	0.13	3.18	0.31	7.92
	21		1.11	28.24	2.13	54.10	1.06	26.90	1.55	39.40	0.50	12.70	0.70	17.78
	22		1.11	28.24	3.13	79.50	1.06	26.90	1.55	39.40	0.50	12.70	0.70	17.78
	23		1.11	28.24	2.88	73.15	1.16	29.46	1.77	44.96	0.63	15.88	0.94	23.80
	24		1.11	28.24	3.88	98.55	1.16	29.46	1.77	44.96	0.63	15.88	0.94	23.80
16	112	19/16	1.11	28.24	2.13	54.10	1.03	26.09	1.15	29.08	0.25	6.35	0.44	11.10
	113		1.11	28.24	3.13	79.50	1.03	26.09	1.15	29.08	0.25	6.35	0.44	11.10

Straight, Spin Coupling

Connector Group J

MIL-DTL-26482 Series II; MIL-DTL-83723 Series III; AS50151; AS81703

TABLE A														
Accessory Shell Size	DASH #	Connector Shell Size	A Ø Max.		B Max.		C Ref..		G Max.		Cable Accessory Range			
											Max.		Min.	
			inch	mm	inch	mm	inch	mm	inch	mm	inch	mm	inch	mm
16, cont.	118	19/16	1.11	28.24	2.13	54.10	1.03	26.09	1.33	33.83	0.35	8.89	0.63	15.88
	119		1.11	28.24	3.13	79.50	1.03	26.09	1.33	33.83	0.35	8.89	0.63	15.88
	152		1.11	28.24	2.13	54.10	1.03	26.09	0.96	24.31	0.13	3.18	0.31	7.92
	153		1.11	28.24	3.13	79.50	1.03	26.09	0.96	24.31	0.13	3.18	0.31	7.92
18	25	27/18	1.22	30.94	2.13	54.10	1.03	26.09	1.33	33.83	0.35	8.89	0.63	15.88
	26		1.22	30.94	3.13	79.50	1.03	26.09	1.33	33.83	0.35	8.89	0.63	15.88
	27		1.22	30.94	2.13	54.10	1.06	26.90	1.55	39.40	0.50	12.70	0.75	19.05
	28		1.22	30.94	3.13	79.50	1.06	26.90	1.55	39.40	0.50	12.70	0.75	19.05
	29		1.22	30.94	2.88	73.15	1.16	29.36	1.77	44.96	0.63	15.88	0.94	23.80
	30		1.22	30.94	3.88	98.55	1.16	29.36	1.77	44.96	0.63	15.88	0.94	23.80
	120		1.22	30.94	2.13	54.10	1.03	26.09	0.96	24.31	0.13	3.18	0.31	7.92
	121		1.22	30.94	3.13	79.50	1.03	26.09	0.96	24.31	0.13	3.18	0.31	7.92
	122		1.22	30.94	2.13	54.10	1.03	26.09	1.15	29.08	0.25	6.35	0.44	11.10
	123		1.22	30.94	3.13	79.50	1.03	26.09	1.15	29.08	0.25	6.35	0.44	11.10
20	31	37/20	1.35	34.16	3.13	79.50	1.03	26.09	1.33	33.83	0.35	8.89	0.63	15.88
	32		1.35	34.16	4.13	104.90	1.03	26.09	1.33	33.83	0.35	8.89	0.63	15.88
	33		1.35	34.16	3.13	79.50	1.06	26.90	1.55	39.40	0.50	12.70	0.75	19.05
	34		1.35	34.16	4.13	104.90	1.06	26.90	1.55	39.40	0.50	12.70	0.75	19.05
	35		1.35	34.16	3.88	98.55	1.16	29.36	1.77	44.96	0.63	15.88	0.94	23.80
	36		1.35	34.16	4.88	123.95	1.16	29.36	1.77	44.96	0.63	15.88	0.94	23.80
	37		1.35	34.16	3.88	98.55	1.38	34.93	2.11	53.67	0.88	22.23	1.25	31.75
	38		1.35	34.16	4.88	123.95	1.38	34.93	2.11	53.67	0.88	22.23	1.25	31.75
	124		1.35	34.16	3.13	79.50	1.03	26.09	1.15	29.08	0.25	6.35	0.44	11.10
	125		1.35	34.16	4.13	104.90	1.03	26.09	1.15	29.08	0.25	6.35	0.44	11.10
	140		1.35	34.16	3.13	79.50	1.16	29.36	1.77	44.96	0.63	15.88	0.90	22.96
	141		1.35	34.16	4.13	104.90	1.16	29.36	1.77	44.96	0.63	15.88	0.90	22.96
22	39	22	1.47	37.29	3.13	79.50	1.03	26.09	1.33	33.83	0.35	8.89	0.63	15.88
	40		1.47	37.29	4.13	104.90	1.03	26.09	1.33	33.83	0.35	8.89	0.63	15.88
	41		1.47	37.29	3.13	79.50	1.06	26.90	1.55	39.40	0.50	12.70	0.75	19.05
	42		1.47	37.29	4.13	104.90	1.06	26.90	1.55	39.40	0.50	12.70	0.75	19.05
	43		1.47	37.29	3.13	79.50	1.16	29.36	1.77	44.96	0.63	15.88	0.94	23.80
	44		1.47	37.29	4.13	104.90	1.16	29.36	1.77	44.96	0.63	15.88	0.94	23.80
	45		1.47	37.29	3.88	98.55	1.38	34.93	2.11	53.67	0.88	22.23	1.25	31.75
	46		1.47	37.29	4.88	123.95	1.38	34.93	2.11	53.67	0.88	22.23	1.25	31.75
	126		1.47	37.29	3.13	79.50	1.03	26.09	0.96	24.31	0.13	3.18	0.31	7.92
	127		1.47	37.29	4.13	104.90	1.03	26.09	0.96	24.31	0.13	3.18	0.31	7.92
	128		1.47	37.29	3.13	79.50	1.03	26.09	1.15	29.08	0.25	6.35	0.44	11.10
	129		1.47	37.29	4.13	104.90	1.03	26.09	1.15	29.08	0.25	6.35	0.44	11.10
	142		1.47	37.29	3.13	79.50	1.38	34.93	2.11	53.67	0.88	22.23	1.03	26.14
	143		1.47	37.29	4.13	104.90	1.38	34.93	2.11	53.67	0.88	22.23	1.03	26.14
24	47	24	1.59	40.46	3.13	79.50	1.06	26.90	1.55	39.40	0.50	12.70	0.75	19.05
	48		1.59	40.46	4.13	104.90	1.06	26.90	1.55	39.40	0.50	12.70	0.75	19.05
	49		1.59	40.46	3.13	79.50	1.16	29.36	1.77	44.96	0.63	15.88	0.81	20.62
	50		1.59	40.46	4.13	104.90	1.16	29.36	1.77	44.96	0.63	15.88	0.81	20.62
	51		1.59	40.46	3.13	79.50	1.16	29.36	1.77	44.96	0.63	15.88	0.94	23.80
	52		1.59	40.46	4.13	104.90	1.16	29.36	1.77	44.96	0.63	15.88	0.94	23.80
	53		1.59	40.46	3.88	98.55	1.38	34.93	2.11	53.67	0.88	22.23	1.25	31.75
	54		1.59	40.46	4.88	123.95	1.38	34.93	2.11	53.67	0.88	22.23	1.25	31.75
	130		1.59	40.46	3.13	79.50	1.03	26.09	1.33	33.83	0.35	8.89	0.63	15.88
	131		1.59	40.46	4.13	104.90	1.03	26.09	1.33	33.83	0.35	8.89	0.63	15.88
	144		1.59	40.46	3.13	79.50	1.38	34.93	2.11	53.67	0.88	22.23	1.14	29.06
	145		1.59	40.46	4.13	104.90	1.38	34.93	2.11	53.67	0.88	22.23	1.14	29.06
	28		55	28	1.97	50.01	3.13	79.50	1.06	26.90	1.55	39.40	0.50	12.70
56		1.97	50.01		4.13	104.90	1.06	26.90	1.55	39.40	0.50	12.70	0.75	19.05
57		1.97	50.01		3.13	79.50	1.16	29.36	1.77	44.96	0.63	15.88	0.94	23.80
58		1.97	50.01		4.13	104.90	1.16	29.36	1.77	44.96	0.63	15.88	0.94	23.80

Straight, Spin Coupling

Connector Group J

MIL-DTL-26482 Series II; MIL-DTL-83723 Series III; AS50151; AS81703

TABLE A														
Accessory Shell Size	DASH #	Connector Shell Size	A Ø Max.		B Max.		C Ref.		G Max.		Cable Range			
											Min.		Max.	
			inch	mm	inch	mm	inch	mm	inch	mm	inch	mm	inch	mm
28, cont.	59	28	1.97	50.01	3.13	79.50	1.38	34.93	2.11	53.67	0.88	22.23	1.25	31.75
	60		1.97	50.01	4.13	104.90	1.38	34.93	2.11	53.67	0.88	22.23	1.25	31.75
	61		1.97	50.01	3.13	79.50	1.50	38.10	2.36	60.20	1.00	25.40	1.38	34.93
	62		1.97	50.01	4.13	104.90	1.50	38.10	2.36	60.02	1.00	25.40	1.38	34.93
32	63	32	2.22	56.36	3.13	79.50	1.16	29.36	1.77	44.96	0.63	15.88	0.94	23.80
	64		2.22	56.36	4.13	104.90	1.16	29.36	1.77	44.96	0.63	15.88	0.94	23.80
	65		2.22	56.36	3.13	79.50	1.38	34.93	2.11	53.67	0.88	22.23	1.25	31.75
	66		2.22	56.36	4.13	104.90	1.38	34.93	2.11	53.67	0.88	22.23	1.25	31.75
	67		2.22	56.36	3.13	79.50	1.50	38.10	2.36	60.02	1.00	25.40	1.38	34.93
	68		2.22	56.36	4.13	104.90	1.50	38.10	2.36	60.02	1.00	25.40	1.38	34.93
	69		2.22	56.36	3.13	79.50	1.78	45.24	2.77	70.36	1.25	31.75	1.63	41.28
	70		2.22	56.36	4.13	104.90	1.78	45.24	2.77	70.36	1.25	31.75	1.63	41.28
36	71	36	2.47	62.71	4.13	104.90	1.38	34.93	2.11	53.67	0.88	22.23	1.25	31.75
	72		2.47	62.71	5.13	130.30	1.38	34.93	2.11	53.67	0.88	22.23	1.25	31.75
	73		2.47	62.71	4.13	104.90	1.50	38.10	2.36	60.02	1.00	25.40	1.38	34.93
	74		2.47	62.71	5.13	130.30	1.50	38.10	2.36	60.02	1.00	25.40	1.38	34.93
	75		2.47	62.71	4.13	104.90	1.78	45.24	2.77	70.36	1.25	31.75	1.63	41.28
	76		2.47	62.71	5.13	130.30	1.78	45.24	2.77	70.36	1.25	31.75	1.63	41.28
	77		2.47	62.71	5.01	127.25	1.83	46.48	3.02	76.71	1.44	36.50	1.88	47.63
	78		2.47	62.71	6.01	152.65	1.83	46.48	3.02	76.71	1.44	36.50	1.88	47.63
	132		2.47	62.71	4.13	104.90	1.06	26.90	1.55	39.40	0.50	12.70	0.75	19.05
	133		2.47	62.71	5.13	130.30	1.06	26.90	1.55	39.40	0.50	12.70	0.75	19.05
	146		2.47	62.71	4.13	104.90	1.83	46.48	3.02	76.71	1.44	36.50	1.84	46.74
	147		2.47	62.71	5.13	130.30	1.83	46.48	3.02	76.71	1.44	36.50	1.84	46.74
	148		2.47	62.71	4.13	104.90	1.16	29.36	1.77	44.96	0.63	15.88	0.94	23.80
	149		2.47	62.71	5.13	130.30	1.16	29.36	1.77	44.96	0.63	15.88	0.94	23.80
40	79	40	2.72	69.06	4.13	104.90	1.38	34.93	2.11	53.67	0.88	22.23	1.25	31.75
	80		2.72	69.06	5.13	130.30	1.38	34.93	2.11	53.67	0.88	22.23	1.25	31.75
	81		2.72	69.06	4.13	104.90	1.50	38.10	2.36	60.02	1.00	25.40	1.38	34.93
	82		2.72	69.06	5.13	130.30	1.50	38.10	2.36	60.02	1.00	25.40	1.38	34.93
	83		2.72	69.06	4.13	104.90	1.78	45.24	2.77	70.36	1.25	31.75	1.63	41.28
	84		2.72	69.06	5.13	130.30	1.78	45.24	2.77	70.36	1.25	31.75	1.63	41.28
	85		2.72	69.06	4.13	104.90	1.83	46.48	3.02	76.71	1.44	36.50	1.88	47.63
	86		2.72	69.06	5.13	130.30	1.83	46.48	3.02	76.71	1.44	36.50	1.88	47.63
	134		2.72	69.06	4.13	104.90	1.06	26.90	1.55	39.40	0.50	12.70	0.75	19.05
	135		2.72	69.06	5.13	130.30	1.06	26.90	1.55	39.40	0.50	12.70	0.75	19.05
	156		2.72	69.06	4.13	104.90	1.16	29.36	1.77	44.96	0.63	15.88	0.94	23.80
44	87	44	2.97	75.41	4.13	104.90	1.38	34.93	2.11	53.67	0.88	22.23	1.25	31.75
	88		2.97	75.41	5.13	130.30	1.38	34.93	2.11	53.67	0.88	22.23	1.25	31.75
	89		2.97	75.41	4.13	104.90	1.50	38.10	2.36	60.02	1.00	25.40	1.38	34.93
	90		2.97	75.41	5.13	130.30	1.50	38.10	2.36	60.02	1.00	25.40	1.38	34.93
	91		2.97	75.41	4.13	104.90	1.78	45.24	2.77	70.36	1.25	31.75	1.63	41.28
	92		2.97	75.41	5.13	130.30	1.78	45.24	2.77	70.36	1.25	31.75	1.63	41.28
	93		2.97	75.41	4.13	104.90	1.83	46.48	3.02	76.71	1.44	36.50	1.88	47.63
	94		2.97	75.41	5.13	130.30	1.83	46.48	3.02	76.71	1.44	36.50	1.88	47.63
	154		2.97	75.41	4.13	104.90	1.16	29.36	1.77	44.96	0.63	15.88	0.94	23.80
	155		2.97	75.41	5.13	130.30	1.16	29.36	1.77	44.96	0.63	15.88	0.94	23.80
48	95	48	3.22	81.76	4.13	104.90	1.38	34.93	2.11	53.67	0.88	22.23	1.25	31.75
	96		3.22	81.76	5.13	130.30	1.38	34.93	2.11	53.67	0.88	22.23	1.25	31.75
	97		3.22	81.76	4.13	104.90	1.50	38.10	2.36	60.02	1.00	25.40	1.38	34.93
	98		3.22	81.76	5.13	130.30	1.50	38.10	2.36	60.02	1.00	25.40	1.38	34.93
	99		3.22	81.76	4.13	104.90	1.78	45.24	2.77	70.36	1.25	31.75	1.63	41.28
	100		3.22	81.76	5.13	130.30	1.78	45.24	2.77	70.36	1.25	31.75	1.63	41.28
	101		3.22	81.76	4.13	104.90	1.83	46.48	3.02	76.71	1.44	36.50	1.88	47.63
102	3.22	81.76	5.13	130.30	1.83	46.48	3.02	76.71	1.44	36.50	1.88	47.63		

90° & 45°; SPIN COUPLING

Connector Group J

MIL-DTL-26482 Series II; MIL-DTL-83723 Series III; AS50151; AS81703

M85049	/8	-10	W
SERIES	SLASH #	DASH #	FINISH
	6: 45° 8: 90°	Table A	N: Electroless Nickel W: Cadmium Olive Drab Z: Black Zinc Nickel

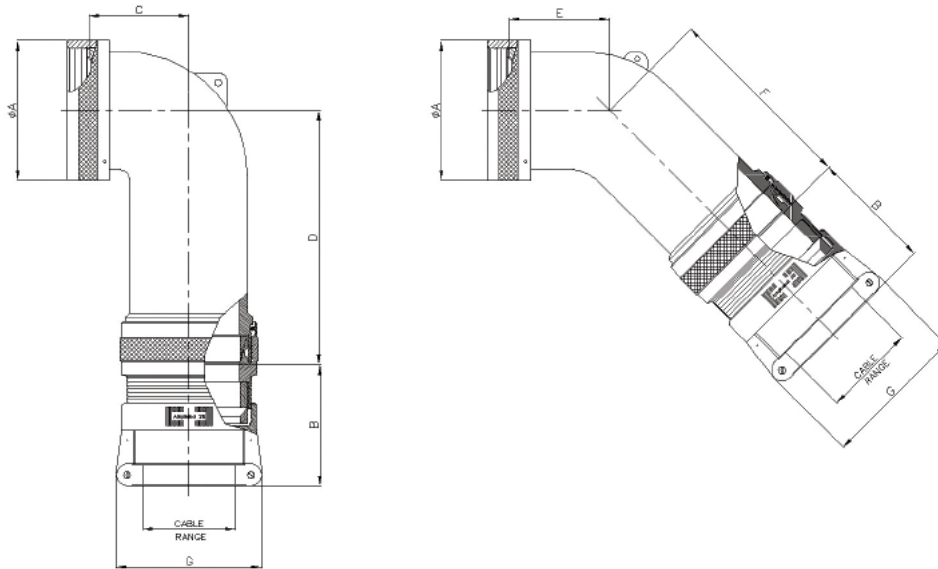


TABLE A

Accessory Shell Size	DASH #	Connector Shell Size	A Ø Max.		B Ref.		C Max.		D Max.		E Max.		F Max.		G Max.		Cable Range			
			inch	mm	inch	mm	inch	mm	inch	mm	inch	mm	inch	mm	inch	mm	Min.	Max.	inch	mm
8	3	8	0.62	15.67	1.54	39.22	0.67	17.02	1.26	32.00	0.63	16.00	1.25	31.75	0.96	24.31	0.13	3.18	0.25	6.35
10	4	10	0.73	18.64	1.54	39.22	0.76	19.30	1.98	50.29	0.69	17.53	1.92	48.77	0.96	24.31	0.13	3.18	0.31	7.92
	49		0.73	18.64	1.54	39.22	1.52	38.61	2.00	50.80	1.50	38.10	1.98	50.29	1.15	29.08	0.25	6.35	0.44	11.10
	5		0.73	18.64	1.54	39.22	0.76	19.30	1.38	35.05	0.69	17.53	1.31	33.27	1.15	29.08	0.25	6.35	0.38	9.53
12	6	7/12	0.86	21.79	1.54	39.22	0.77	19.56	2.00	50.80	0.75	19.05	1.98	50.29	0.96	24.31	0.13	3.18	0.31	7.92
	71		0.86	21.79	1.84	46.84	1.81	45.97	2.16	54.86	1.65	41.91	2.18	55.37	1.33	33.83	0.35	8.89	0.63	15.88
	7		0.86	21.79	1.54	39.22	0.77	19.56	2.00	50.80	0.75	19.05	1.98	50.29	1.15	29.08	0.25	6.35	0.44	11.10
	8		0.86	21.79	1.84	46.84	0.77	19.56	1.40	35.56	0.75	19.05	1.98	50.29	1.33	33.83	0.35	8.89	0.50	12.70
14	9	12/14	0.98	24.99	1.54	39.22	0.87	22.10	2.07	52.58	0.81	20.57	2.07	52.58	1.15	29.08	0.25	6.35	0.44	11.10
	10		0.98	24.99	1.84	46.84	0.87	22.10	1.72	43.69	0.81	20.57	1.72	43.69	1.33	33.83	0.35	8.89	0.58	14.61
	50		0.98	24.99	1.92	48.67	1.89	48.01	2.33	59.18	1.84	46.74	2.37	60.20	1.55	39.40	0.50	12.70	0.75	19.05
	74		0.98	24.99	1.54	39.22	0.87	22.10	2.07	52.58	0.81	20.57	2.07	52.58	0.96	24.31	0.13	3.18	0.31	7.92
16	11	19/16	1.11	28.24	1.54	39.22	1.05	26.67	2.16	54.86	0.91	23.11	2.18	55.37	1.15	29.08	0.25	6.35	0.44	11.10
	12		1.11	28.24	1.92	48.67	1.05	26.67	1.81	45.97	0.91	23.11	1.82	46.23	1.55	39.40	0.50	12.70	0.70	17.78
	40		1.11	28.24	1.84	46.84	1.05	26.67	2.16	54.86	0.91	23.11	2.18	55.37	1.33	33.83	0.35	8.89	0.63	15.88
	51		1.11	28.24	2.00	50.80	2.04	51.82	2.44	61.98	1.94	49.28	2.52	64.01	1.77	44.96	0.63	15.88	0.94	23.80
	75		1.11	28.24	1.54	39.22	1.05	26.67	2.16	54.86	0.91	23.11	2.18	55.37	0.96	24.31	0.13	3.18	0.31	7.92

90° & 45°; SPIN COUPLING

Connector Group J

MIL-DTL-26482 Series II; MIL-DTL-83723 Series III; AS50151; AS81703

TABLE A

Accessory Shell Size	DASH #	Connector Shell Size	A Ø Max.		B Ref.		C Max.		D Max.		E Max.		F Max.		G Max.		Cable Range			
			inch	mm	inch	mm	inch	mm	inch	mm	inch	mm	inch	mm	inch	mm	inch	mm	inch	mm
																			Min.	Max.
18	13	27/18	1.22	30.94	1.84	46.84	1.14	28.96	2.33	59.18	1.09	27.69	2.37	60.20	1.33	33.83	0.35	8.89	0.63	15.88
	14		1.22	30.94	2.00	50.80	1.14	28.96	1.98	50.29	1.09	27.69	2.00	50.80	1.77	44.96	0.63	15.88	0.78	19.79
	41		1.22	30.94	1.54	39.22	1.14	28.96	2.33	59.18	1.09	27.69	2.37	60.20	0.96	24.31	0.13	3.18	0.31	7.92
	42		1.22	30.94	1.54	39.22	1.14	28.96	2.33	59.18	1.09	27.69	2.37	60.20	1.15	29.08	0.25	6.35	0.44	11.10
	52		1.22	30.94	1.92	48.67	1.14	28.96	2.33	59.18	1.09	27.69	2.37	60.20	1.55	39.40	0.50	12.70	0.75	19.05
	72		1.22	30.94	2.00	50.80	2.05	52.07	2.44	61.98	1.94	49.28	2.52	64.01	1.77	44.96	0.63	15.88	0.94	23.80
20	15	37/20	1.35	34.16	1.84	46.84	1.14	28.96	2.33	59.18	1.09	27.69	2.37	60.20	1.33	33.83	0.35	8.89	0.63	15.88
	16		1.35	34.16	2.00	50.80	1.14	28.96	1.98	50.29	1.09	27.69	2.00	50.80	1.77	44.96	0.63	15.88	0.90	22.96
	43		1.35	34.16	1.54	39.22	1.14	28.96	2.33	59.18	1.09	27.69	2.37	60.20	1.15	29.08	0.25	6.35	0.44	11.10
	54		1.35	34.16	1.92	48.67	1.14	28.96	2.33	59.18	1.09	27.69	2.37	60.20	1.55	39.40	0.50	12.70	0.75	19.05
	55		1.35	34.16	2.23	56.64	2.14	54.36	2.61	66.29	2.06	52.32	2.57	65.28	2.11	53.67	0.88	22.23	1.25	31.75
22	17	22	1.47	37.29	1.92	48.72	1.29	32.77	2.44	61.98	1.19	30.23	2.52	64.01	1.55	39.40	0.50	12.70	0.75	19.05
	18		1.47	37.29	2.23	56.64	1.29	32.77	2.09	53.09	1.19	30.23	2.16	54.86	2.11	53.67	0.88	22.23	1.03	26.14
	44		1.47	37.29	1.54	39.22	1.29	32.77	2.44	61.98	1.19	30.23	2.52	64.01	0.96	24.31	0.13	3.18	0.31	7.92
	45		1.47	37.29	1.54	39.22	1.29	32.77	2.44	61.98	1.19	30.23	2.52	64.01	1.15	29.08	0.25	6.35	0.44	11.10
	56		1.47	37.29	1.84	46.84	1.29	32.77	2.44	61.98	1.19	30.23	2.52	64.01	1.33	33.83	0.35	8.89	0.63	15.88
	57		1.47	37.29	2.00	50.80	1.29	32.77	2.44	61.98	1.19	30.23	2.52	64.01	1.77	44.96	0.63	15.88	0.94	23.80
	58		1.47	37.29	2.23	56.64	2.14	54.36	2.61	66.29	2.06	52.32	2.57	65.28	2.11	53.67	0.88	22.23	1.25	31.75
24	19	24	1.59	40.46	1.92	48.67	1.29	32.77	2.44	61.98	1.19	30.23	2.52	64.01	1.55	39.40	0.50	12.70	0.75	19.05
	20		1.59	40.46	2.23	56.64	1.29	32.77	2.09	53.09	1.19	30.23	2.16	54.86	2.11	53.67	0.88	22.23	1.14	29.06
	46		1.59	40.46	1.84	46.84	1.29	32.77	2.44	61.98	1.19	30.23	2.52	64.01	1.33	33.83	0.35	8.89	0.63	15.88
	59		1.59	40.46	2.00	50.80	1.29	32.77	2.44	61.98	1.19	30.23	2.52	64.01	1.77	44.96	0.63	15.88	0.94	23.80
	73		1.59	40.46	2.23	56.64	2.15	54.61	2.61	66.29	2.06	52.32	2.57	65.28	2.12	53.75	0.88	22.23	1.25	31.75
28	21	28	1.97	50.01	2.00	50.80	1.39	35.31	2.61	66.29	1.31	33.27	2.57	65.28	1.77	44.96	0.63	15.88	0.94	23.80
	22		1.97	50.01	2.02	51.41	1.39	35.31	2.26	57.40	1.31	33.27	2.22	56.39	2.36	60.02	1.00	25.40	1.38	34.93
	60		1.97	50.01	1.92	48.67	1.39	35.31	2.61	66.29	1.31	33.27	2.57	65.28	1.55	39.40	0.50	12.70	0.75	19.05
	61		1.97	50.01	2.23	56.64	1.39	35.31	2.61	66.29	1.31	33.27	2.57	65.28	2.11	53.67	0.88	22.23	1.25	31.75
32	23	32	2.22	56.36	2.00	50.80	1.74	44.20	2.86	72.64	1.38	35.05	2.67	67.82	1.77	44.96	0.63	15.88	0.94	23.80
	24		2.22	56.36	2.23	56.64	1.74	44.20	2.86	72.64	1.38	35.05	2.67	67.82	2.11	53.67	0.88	22.23	1.25	31.75
	25		2.22	56.36	2.55	64.77	1.74	44.20	2.51	63.75	1.38	35.05	2.32	58.93	2.77	70.36	1.25	31.75	1.63	41.28
	62		2.22	56.36	2.02	51.41	1.74	44.20	2.86	72.64	1.38	35.05	2.67	67.82	2.36	60.02	1.00	25.40	1.38	34.93
36	26	36	2.47	62.71	2.00	50.80	1.94	49.28	2.83	71.88	1.41	35.81	2.76	70.10	1.77	44.96	0.63	15.88	0.94	23.80
	27		2.47	62.71	2.02	51.41	1.94	49.28	2.83	71.88	1.41	35.81	2.76	70.10	2.36	60.02	1.00	25.40	1.38	34.93
	28		2.47	62.71	2.60	66.04	1.94	49.28	2.48	62.99	1.41	35.81	2.41	61.21	3.02	76.71	1.44	36.50	1.84	46.74
	47		2.47	62.71	1.92	48.67	1.94	49.28	2.83	71.88	1.41	35.81	2.76	70.10	1.55	39.40	0.50	12.70	0.75	19.05
	63		2.47	62.71	2.23	56.64	1.94	49.28	2.83	71.88	1.41	35.81	2.76	70.10	2.11	53.67	0.88	22.23	1.25	31.75
	64		2.47	62.71	2.55	64.77	1.94	49.28	2.83	71.88	1.41	35.81	2.76	70.10	2.77	70.36	1.25	31.75	1.63	41.28
40	29	40	2.72	69.06	2.00	50.80	2.69	68.33	2.83	71.88	2.16	54.86	2.76	70.10	1.77	44.96	0.63	15.88	0.94	23.80
	30		2.72	69.06	2.02	51.41	2.69	68.33	2.83	71.88	2.16	54.86	2.76	70.10	2.36	60.02	1.00	25.40	1.38	34.93
	31		2.72	69.06	2.60	66.04	2.69	68.33	2.48	62.99	2.16	54.86	2.41	61.21	3.02	76.71	1.44	36.50	1.88	47.63
	48		2.72	69.06	1.92	48.67	1.94	49.28	2.83	71.88	2.16	54.86	2.76	70.10	1.55	39.40	0.50	12.70	0.75	19.05
	65		2.72	69.06	2.23	56.64	2.69	68.33	2.83	71.88	2.16	54.86	2.76	70.10	2.11	53.67	0.88	22.23	1.25	31.75
	66		2.72	69.06	2.55	64.77	2.69	68.33	2.83	71.88	2.16	54.86	2.76	70.10	2.77	70.36	1.25	31.75	1.63	41.28
44	32	44	2.97	75.41	2.00	50.80	2.69	68.33	2.83	71.88	2.16	54.86	2.76	70.10	1.77	44.96	0.63	15.88	0.94	23.80
	33		2.97	75.41	2.02	51.41	2.69	68.33	2.83	71.88	2.16	54.86	2.76	70.10	2.36	60.02	1.00	25.40	1.38	34.93
	34		2.97	75.41	2.60	66.04	2.69	68.33	2.48	62.99	2.16	54.86	2.41	61.21	3.02	76.71	1.44	36.50	1.88	47.63
	67		2.97	75.41	2.23	56.64	2.69	68.33	2.83	71.88	2.16	54.86	2.76	70.10	2.11	53.67	0.88	22.23	1.25	31.75
	68		2.97	75.41	2.55	64.77	2.69	68.33	2.83	71.88	2.16	54.86	2.76	70.10	2.77	70.36	1.25	31.75	1.63	41.28
48	35	48	3.22	81.76	2.00	50.80	2.69	68.33	2.83	71.88	2.16	54.86	2.76	70.10	1.77	44.96	0.63	15.88	0.94	23.80
	36		3.22	81.76	2.02	51.41	2.69	68.33	2.83	71.88	2.16	54.86	2.76	70.10	2.36	60.02	1.00	25.40	1.38	34.93
	37		3.22	81.76	2.60	66.04	2.69	68.33	2.48	62.99	2.16	54.86	2.41	61.21	3.02	76.71	1.44	36.50	1.88	47.63
	69		3.22	81.76	2.23	56.64	2.69	68.33	2.83	71.88	2.16	54.86	2.76	70.10	2.11	53.67	0.88	22.23	1.25	31.75
	70		3.22	81.76	2.55	64.77	2.69	68.33	2.83	71.88	2.16	54.86	2.76	70.10	2.77	70.36	1.25	31.75	1.63	41.28

STRAIGHT; SPIN COUPLING

Connector Group J

MIL-DTL-26482 Series II; MIL-DTL-83723 Series III; AS50151; AS81703

M85049	/10	-10	W
SERIES	SLASH #	DASH #	FINISH
	10: Straight	Table A	N: Electroless Nickel W: Cadmium Olive Drab Z: Black Zinc Nickel

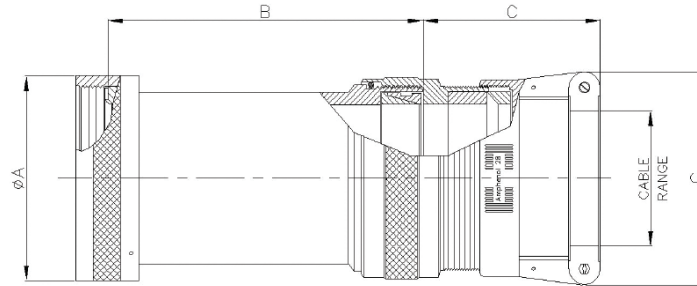


TABLE A

Accessory Shell Size	DASH #	Connector Shell Size	A Ø Max.		B Ø Max.		C REF.		G Max.		Cable Range			
			inch	mm	inch	mm	inch	mm	inch	mm	Min.		Max.	
											inch	mm	inch	mm
08	05	8	0.62	15.67	2.13	54.10	1.54	39.22	0.96	24.31	0.13	3.18	0.25	6.35
	06		0.62	15.67	3.13	79.50	1.54	39.22	0.96	24.31	0.13	3.18	0.25	6.35
	07		0.62	15.67	2.88	73.15	1.54	39.22	1.15	29.08	0.25	6.35	0.44	11.10
	08		0.62	15.67	3.88	98.55	1.54	39.22	1.15	29.08	0.25	6.35	0.44	11.10
10	09	10	0.73	18.64	2.13	54.10	1.54	39.22	0.96	24.31	0.13	3.18	0.31	7.92
	10		0.73	18.64	3.13	79.50	1.54	39.22	0.96	24.31	0.13	3.18	0.31	7.92
	11		0.73	18.64	2.88	73.15	1.54	39.22	1.15	29.08	0.25	6.35	0.44	11.10
	12		0.73	18.64	3.88	98.55	1.54	39.22	1.15	29.08	0.25	6.35	0.44	11.10
	136		0.73	18.64	2.13	54.10	1.54	39.22	1.15	29.08	0.25	6.35	0.38	9.53
12	137	7/12	0.73	18.64	3.13	79.50	1.54	39.22	1.15	29.08	0.25	6.35	0.38	9.53
	13		0.86	21.79	2.13	54.10	1.54	39.22	1.15	29.08	0.25	6.35	0.44	11.10
	14		0.86	21.79	3.13	79.50	1.54	39.22	1.15	29.08	0.25	6.35	0.44	11.10
	15		0.86	21.79	2.88	73.15	1.84	46.84	1.33	33.83	0.35	8.89	0.63	15.88
	16		0.86	21.79	3.88	98.55	1.84	46.84	1.33	33.83	0.35	8.89	0.63	15.88
	111		0.86	21.79	2.13	54.10	1.84	46.84	1.33	33.83	0.35	8.89	0.50	12.70
	114		0.86	21.79	2.13	54.10	1.54	39.22	0.96	24.31	0.13	3.18	0.31	7.92
	115		0.86	21.79	3.13	79.50	1.54	39.22	0.96	24.31	0.13	3.18	0.31	7.92
14	138	12/14	0.86	21.79	2.13	54.10	1.84	46.84	1.33	33.83	0.35	8.89	0.50	12.70
	139		0.86	21.79	3.13	79.50	1.84	46.84	1.33	33.83	0.35	8.89	0.50	12.70
	17		0.98	24.99	2.13	54.10	1.84	46.84	1.33	33.83	0.35	8.89	0.58	14.61
	18		0.98	24.99	3.13	79.50	1.84	46.84	1.33	33.83	0.35	8.89	0.58	14.61
	19		0.98	24.99	2.88	73.15	1.92	48.67	1.55	39.40	0.50	12.70	0.75	19.05
	20		0.98	24.99	3.88	98.55	1.92	48.67	1.55	39.40	0.50	12.70	0.75	19.05
	116		0.98	24.99	2.13	54.10	1.54	39.22	1.15	29.08	0.25	6.35	0.44	11.10
16	117	19/16	0.98	24.99	3.13	79.50	1.54	39.22	1.15	29.08	0.25	6.35	0.44	11.10
	150		0.98	24.99	2.13	54.10	1.54	39.22	0.96	24.31	0.13	3.18	0.31	7.92
	151		0.98	24.99	3.13	79.50	1.54	39.22	0.96	24.31	0.13	3.18	0.31	7.92
	21		1.11	28.24	2.13	54.10	1.92	48.67	1.55	39.40	0.50	12.70	0.70	17.78
	22		1.11	28.24	3.13	79.50	1.92	48.67	1.55	39.40	0.50	12.70	0.70	17.78
	23		1.11	28.24	2.88	73.15	2.00	50.80	1.77	44.96	0.63	15.88	0.94	23.80
	24		1.11	28.24	3.88	98.55	2.00	50.80	1.77	44.96	0.63	15.88	0.94	23.80
	112		1.11	28.24	2.13	54.10	1.54	39.22	1.15	29.08	0.25	6.35	0.44	11.10
	113		1.11	28.24	3.13	79.50	1.54	39.22	1.15	29.08	0.25	6.35	0.44	11.10
	118		1.11	28.24	2.13	54.10	1.84	46.84	1.33	33.83	0.35	8.89	0.63	15.88
119	1.11	28.24	3.13	79.50	1.84	46.84	1.33	33.83	0.35	8.89	0.63	15.88		
152	1.11	28.24	2.13	54.10	1.54	39.22	0.96	24.31	0.13	3.18	0.31	7.92		
153	1.11	28.24	3.13	79.50	1.54	39.22	0.96	24.31	0.13	3.18	0.31	7.92		

STRAIGHT; SPIN COUPLING

Connector Group J

MIL-DTL-26482 Series II; MIL-DTL-83723 Series III; AS50151; AS81703

TABLE A														
Accessory Shell Size	DASH #	Connector Shell Size	A Ø Max.		B Ø Max.		C REF.		G Max.		Cable Range			
											Min.		Max.	
			inch	mm	inch	mm	inch	mm	inch	mm	inch	mm	inch	mm
18	25	27/18	1.22	30.94	2.13	54.10	1.84	46.84	1.33	33.83	0.35	8.89	0.63	15.88
	26		1.22	30.94	3.13	79.50	1.84	46.84	1.33	33.83	0.35	8.89	0.63	15.88
	27		1.22	30.94	2.13	54.10	1.92	48.67	1.55	39.40	0.50	12.70	0.75	19.05
	28		1.22	30.94	3.13	79.50	1.92	48.67	1.55	39.40	0.50	12.70	0.75	19.05
	29		1.22	30.94	2.88	73.15	2.00	50.80	1.77	44.96	0.63	15.88	0.94	23.80
	30		1.22	30.94	3.88	98.55	2.00	50.80	1.77	44.96	0.63	15.88	0.94	23.80
	120		1.22	30.94	2.13	54.10	1.54	39.22	0.96	24.31	0.13	3.18	0.31	7.92
	121		1.22	30.94	3.13	79.50	1.54	39.22	0.96	24.31	0.13	3.18	0.31	7.92
	122		1.22	30.94	2.13	54.10	1.54	39.22	1.15	29.08	0.25	6.35	0.44	11.10
	123		1.22	30.94	3.13	79.50	1.54	39.22	1.15	29.08	0.25	6.35	0.44	11.10
20	31	37/20	1.35	34.16	3.13	79.50	1.84	46.84	1.33	33.83	0.35	8.89	0.63	15.88
	32		1.35	34.16	4.13	104.90	1.84	46.84	1.33	33.83	0.35	8.89	0.63	15.88
	33		1.35	34.16	3.13	79.50	1.92	48.67	1.55	39.40	0.50	12.70	0.75	19.05
	34		1.35	34.16	4.13	104.90	1.92	48.67	1.55	39.40	0.50	12.70	0.75	19.05
	35		1.35	34.16	3.88	98.55	2.00	50.80	1.77	44.96	0.63	15.88	0.94	23.80
	36		1.35	34.16	4.88	123.95	2.00	50.80	1.77	44.96	0.63	15.88	0.94	23.80
	37		1.35	34.16	3.88	98.55	2.23	56.64	2.11	53.67	0.88	22.23	1.25	31.75
	38		1.35	34.16	4.88	123.95	2.23	56.64	2.11	53.67	0.88	22.23	1.25	31.75
	124		1.35	34.16	3.13	79.50	1.54	39.22	1.15	29.08	0.25	6.35	0.44	11.10
	125		1.35	34.16	4.13	104.90	1.54	39.22	1.15	29.08	0.25	6.35	0.44	11.10
	140		1.35	34.16	3.13	79.50	2.00	50.80	1.77	44.96	0.63	15.88	0.90	22.96
141	1.35	34.16	4.13	104.90	2.00	50.80	1.77	44.96	0.63	15.88	0.90	22.96		
22	39	22	1.47	37.29	3.13	79.50	1.84	46.84	1.33	33.83	0.35	8.89	0.63	15.88
	40		1.47	37.29	4.13	104.90	1.84	46.84	1.33	33.83	0.35	8.89	0.63	15.88
	41		1.47	37.29	3.13	79.50	1.92	48.67	1.55	39.40	0.50	12.70	0.75	19.05
	42		1.47	37.29	4.13	104.90	1.92	48.67	1.55	39.40	0.50	12.70	0.75	19.05
	43		1.47	37.29	3.13	79.50	2.00	50.80	1.77	44.96	0.63	15.88	0.94	23.80
	44		1.47	37.29	4.13	104.90	2.00	50.80	1.77	44.96	0.63	15.88	0.94	23.80
	45		1.47	37.29	3.88	98.55	2.23	56.64	2.11	53.67	0.88	22.23	1.25	31.75
	46		1.47	37.29	4.88	123.95	2.23	56.64	2.11	53.67	0.88	22.23	1.25	31.75
	126		1.47	37.29	3.13	79.50	1.54	39.22	0.96	24.31	0.13	3.18	0.31	7.92
	127		1.47	37.29	4.13	104.90	1.54	39.22	0.96	24.31	0.13	3.18	0.31	7.92
	128		1.47	37.29	3.13	79.50	1.54	39.22	1.15	29.08	0.25	6.35	0.44	11.10
	129		1.47	37.29	4.13	104.90	1.54	39.22	1.15	29.08	0.25	6.35	0.44	11.10
	142		1.47	37.29	3.13	79.50	2.23	56.64	2.11	53.67	0.88	22.23	1.03	26.14
143	1.47	37.29	4.13	104.90	2.23	56.64	2.11	53.67	0.88	22.23	1.03	26.14		
24	47	24	1.59	40.46	3.13	79.50	1.92	48.67	1.55	39.40	0.50	12.70	0.75	19.05
	48		1.59	40.46	4.13	104.90	1.92	48.67	1.55	39.40	0.50	12.70	0.75	19.05
	49		1.59	40.46	3.13	79.50	2.00	50.80	1.77	44.96	0.63	15.88	0.81	20.62
	50		1.59	40.46	4.13	104.90	2.00	50.80	1.77	44.96	0.63	15.88	0.81	20.62
	51		1.59	40.46	3.13	79.50	2.00	50.80	1.77	44.96	0.63	15.88	0.94	23.80
	52		1.59	40.46	4.13	104.90	2.00	50.80	1.77	44.96	0.63	15.88	0.94	23.80
	53		1.59	40.46	3.88	98.55	2.23	56.64	2.11	53.67	0.88	22.23	1.25	31.75
	54		1.59	40.46	4.88	123.95	2.23	56.64	2.11	53.67	0.88	22.23	1.25	31.75
	130		1.59	40.46	3.13	79.50	1.84	46.84	1.33	33.83	0.35	8.89	0.63	15.88
	131		1.59	40.46	4.13	104.90	1.84	46.84	1.33	33.83	0.35	8.89	0.63	15.88
	144		1.59	40.46	3.13	79.50	2.23	56.64	2.11	53.67	0.88	22.23	1.14	29.06
	145		1.59	40.46	4.13	104.90	2.23	56.64	2.11	53.67	0.88	22.23	1.14	29.06
	28		55	28	1.97	50.01	3.13	79.50	1.92	48.67	1.55	39.40	0.50	12.70
56		1.97	50.01		4.13	104.90	1.92	48.67	1.55	39.40	0.50	12.70	0.75	19.05
57		1.97	50.01		3.13	79.50	2.00	50.80	1.77	44.96	0.63	15.88	0.94	23.80
58		1.97	50.01		4.13	104.90	2.00	50.80	1.77	44.96	0.63	15.88	0.94	23.80
59		1.97	50.01		3.13	79.50	2.23	56.64	2.11	53.67	0.88	22.23	1.25	31.75
60		1.97	50.01		4.13	104.90	2.23	56.64	2.11	53.67	0.88	22.23	1.25	31.75
61		1.97	50.01		3.13	79.50	2.02	51.41	2.36	60.20	1.00	25.40	1.38	34.93
62		1.97	50.01		4.13	104.90	2.02	51.41	2.36	60.20	1.00	25.40	1.38	34.93

STRAIGHT; SPIN COUPLING

Connector Group J

MIL-DTL-26482 Series II; MIL-DTL-83723 Series III; AS50151; AS81703

TABLE A														
Accessory Shell Size	DASH #	Connector Shell Size	A Ø Max.		B Ø Max.		C REF.		G Max.		Cable Range			
											Min.		Max.	
			inch	mm	inch	mm	inch	mm	inch	mm	inch	mm	inch	mm
32	63	32	2.22	56.36	3.13	79.50	2.00	50.80	1.77	44.96	0.63	15.88	0.94	23.80
	64		2.22	56.36	4.13	104.90	2.00	50.80	1.77	44.96	0.63	15.88	0.94	23.80
	65		2.22	56.36	3.13	79.50	2.23	56.64	2.11	53.67	0.88	22.23	1.25	31.75
	66		2.22	56.36	4.13	104.90	2.23	56.64	2.11	53.67	0.88	22.23	1.25	31.75
	67		2.22	56.36	3.13	79.50	2.02	51.41	2.36	60.02	1.00	25.40	1.38	34.93
	68		2.22	56.36	4.13	104.90	2.02	51.41	2.36	60.02	1.00	25.40	1.38	34.93
	69		2.22	56.36	3.13	79.50	2.55	64.77	2.77	70.36	1.25	31.75	1.63	41.28
36	70	36	2.22	56.36	4.13	104.90	2.55	64.77	2.77	70.36	1.25	31.75	1.63	41.28
	71		2.47	62.71	4.13	104.90	2.23	56.64	2.11	53.67	0.88	22.23	1.25	31.75
	72		2.47	62.71	5.13	130.30	2.23	56.64	2.11	53.67	0.88	22.23	1.25	31.75
	73		2.47	62.71	4.13	104.90	2.02	51.41	2.36	60.02	1.00	25.40	1.38	34.93
	74		2.47	62.71	5.13	130.30	2.02	51.41	2.36	60.02	1.00	25.40	1.38	34.93
	75		2.47	62.71	4.13	104.90	2.55	64.77	2.77	70.36	1.25	31.75	1.63	41.28
	76		2.47	62.71	5.13	130.30	2.55	64.77	2.77	70.36	1.25	31.75	1.63	41.28
	77		2.47	62.71	5.01	127.25	2.60	66.04	3.02	76.71	1.44	36.50	1.88	47.63
	78		2.47	62.71	6.01	152.65	2.60	66.04	3.02	76.71	1.44	36.50	1.88	47.63
	132		2.47	62.71	4.13	104.90	1.92	48.67	1.55	39.40	0.50	12.70	0.75	19.05
	133		2.47	62.71	5.13	130.30	1.92	48.67	1.55	39.40	0.50	12.70	0.75	19.05
	146		2.47	62.71	4.13	104.90	2.60	66.04	3.02	76.71	1.44	36.50	1.84	46.74
40	147	40	2.47	62.71	5.13	130.30	2.60	66.04	3.02	76.71	1.44	36.50	1.84	46.74
	148		2.47	62.71	4.13	104.90	2.00	50.80	1.77	44.96	0.63	15.88	0.94	23.80
	149		2.47	62.71	5.13	130.30	2.00	50.80	1.77	44.96	0.63	15.88	0.94	23.80
	79		2.72	69.06	4.13	104.90	2.23	56.64	2.11	53.67	0.88	22.23	1.25	31.75
	80		2.72	69.06	5.13	130.30	2.23	56.64	2.11	53.67	0.88	22.23	1.25	31.75
	81		2.72	69.06	4.13	104.90	2.02	51.41	2.36	60.02	1.00	25.40	1.38	34.93
	82		2.72	69.06	5.13	130.30	2.02	51.41	2.36	60.02	1.00	25.40	1.38	34.93
	83		2.72	69.06	4.13	104.90	2.55	64.77	2.77	70.36	1.25	31.75	1.63	41.28
	84		2.72	69.06	5.13	130.30	2.55	64.77	2.77	70.36	1.25	31.75	1.63	41.28
	85		2.72	69.06	4.13	104.90	2.60	66.04	3.02	76.71	1.44	36.50	1.88	47.63
	86		2.72	69.06	5.13	130.30	2.60	66.04	3.02	76.71	1.44	36.50	1.88	47.63
	134		2.72	69.06	4.13	104.90	1.92	48.67	1.55	39.40	0.50	12.70	0.75	19.05
44	135	44	2.72	69.06	5.13	130.30	1.92	48.67	1.55	39.40	0.50	12.70	0.75	19.05
	156		2.72	69.06	4.13	104.90	2.00	50.80	1.77	44.96	0.63	15.88	0.94	23.80
	157		2.72	69.06	5.13	130.30	2.00	50.80	1.77	44.96	0.63	15.88	0.94	23.80
	87		2.97	75.41	4.13	104.90	2.23	56.64	2.11	53.67	0.88	22.23	1.25	31.75
	88		2.97	75.41	5.13	130.30	2.23	56.64	2.11	53.67	0.88	22.23	1.25	31.75
	89		2.97	75.41	4.13	104.90	2.02	51.41	2.36	60.02	1.00	25.40	1.38	34.93
	90		2.97	75.41	5.13	130.30	2.02	51.41	2.36	60.02	1.00	25.40	1.38	34.93
	91		2.97	75.41	4.13	104.90	2.55	64.77	2.77	70.36	1.25	31.75	1.63	41.28
	92		2.97	75.41	5.13	130.30	2.55	64.77	2.77	70.36	1.25	31.75	1.63	41.28
	93		2.97	75.41	4.13	104.90	2.60	66.04	3.02	76.71	1.44	36.50	1.88	47.63
	94		2.97	75.41	5.13	130.30	2.60	66.04	3.02	76.71	1.44	36.50	1.88	47.63
	154		2.97	75.41	4.13	104.90	2.00	50.80	1.77	44.96	0.63	15.88	0.94	23.80
48	155	48	2.97	75.41	5.13	130.30	2.00	50.80	1.77	44.96	0.63	15.88	0.94	23.80
	95		3.22	81.76	4.13	104.90	2.23	56.64	2.11	53.67	0.88	22.23	1.25	31.75
	96		3.22	81.76	5.13	130.30	2.23	56.64	2.11	53.67	0.88	22.23	1.25	31.75
	97		3.22	81.76	4.13	104.90	2.02	51.41	2.36	60.02	1.00	25.40	1.38	34.93
	98		3.22	81.76	5.13	130.30	2.02	51.41	2.36	60.02	1.00	25.40	1.38	34.93
	99		3.22	81.76	4.13	104.90	2.55	64.77	2.77	70.36	1.25	31.75	1.63	41.28
	100		3.22	81.76	5.13	130.30	2.55	64.77	2.77	70.36	1.25	31.75	1.63	41.28
	101		3.22	81.76	4.13	104.90	2.60	66.04	3.02	76.71	1.44	36.50	1.88	47.63
102	3.22	81.76	5.13	130.30	2.60	66.04	3.02	76.71	1.44	36.50	1.88	47.63		

STRAIGHT; DIRECT COUPLING

Connector Group K

MIL-DTL-38999 Series I & II

M85049	/17	-10	W	03	A
SERIES	SLASH #	ACCESSORY SHELL SIZE	FINISH	CLAMP SIZE	LENGTH
	17: Straight	Table A	N: Electroless Nickel W: Cadmium Olive Drab Z: Black Zinc Nickel	Table A	Table A Omit for "STD"

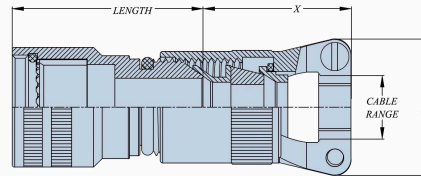


TABLE A

Accessory Shell Size	Clamp Size	Length	Connector Shell Size	Cable Range				L Max.		X Max.		Y Max.		
				Min.		Max.		inch	mm	inch	mm	inch	mm	
				inch	mm	inch	mm							
08	01	STD.	8 / 9	0.06	1.57	0.13	3.18	1.53	38.86	1.25	31.75	0.78	19.81	
		A						2.53	64.26					
	02	STD.		0.13	3.18	0.25	6.35	1.53	38.86	1.25	31.75	0.97	24.64	
		A						2.53	64.26					
10	01	STD.		10 / 11	0.06	1.57	0.13	3.18	1.53	38.86	1.25	31.75	0.78	19.81
		A							2.53	64.26				
	02	STD.			0.13	3.18	0.25	6.35	1.53	38.86	1.25	31.75	0.97	24.64
		A							2.53	64.26				
	03	STD.	0.25		6.35	0.38	9.53	1.53	38.86	1.25	31.75	1.06	26.92	
		A						2.53	64.26					
12	02	STD.	12 / 13		0.13	3.18	0.25	6.35	1.53	38.86	1.25	31.75	0.97	24.64
		A							2.53	64.26				
	03	STD.			0.25	6.35	0.38	9.53	1.53	38.86	1.25	31.75	1.06	26.92
		A							2.53	64.26				
	04	STD.			0.38	9.53	0.50	12.70	1.53	38.86	1.25	31.75	1.16	29.46
		A							2.53	64.26				
14	02	STD.		14 / 15	0.13	3.18	0.25	6.35	1.53	38.86	1.25	31.75	0.97	24.64
		A							2.53	64.26				
		B							3.53	89.66				
	03	STD.			0.25	6.35	0.38	9.53	1.53	38.86	1.25	31.75	1.06	26.92
		A							2.53	64.26				
		B							3.53	89.66				
	04	STD.	0.38		9.53	0.50	12.70	1.53	38.86	1.25	31.75	1.16	29.46	
		A						2.53	64.26					
		B						3.53	89.66					
	05	STD.	0.50		12.70	0.63	15.88	1.53	38.86	1.31	33.27	1.25	31.75	
		A						2.53	64.26					
		B						3.53	89.66					
16	02	STD.	16 / 17	0.13	3.18	0.25	6.35	1.53	38.86	1.25	31.75	0.97	24.64	
		A						2.53	64.26					
		B						3.53	89.66					
	03	STD.		0.25	6.35	0.38	9.53	1.53	38.86	1.25	31.75	1.06	26.92	
		A						2.53	64.26					
		B						3.53	89.66					
	04	STD.		0.38	9.53	0.50	12.70	1.53	38.86	1.25	31.75	1.16	29.46	
		A						2.53	64.26					
		B						3.53	89.66					
	05	STD.		0.50	12.70	0.63	15.88	1.53	38.86	1.31	33.27	1.25	31.75	
		A						2.53	64.26					
		B						3.53	89.66					
06	STD.	0.63	15.88	0.75	19.05	1.53	38.86	1.38	35.05	1.38	35.05			
	A					2.53	64.26							
	B					3.53	89.66							

STRAIGHT; DIRECT COUPLING

Connector Group K

MIL-DTL-38999 Series I & II

TABLE A													
Accessory Shell Size	Clamp Size	Connector Shell Size	Length	Cable Range				L Max.		X Max.		Y Max.	
				Min.		Max.		inch	mm	inch	mm	inch	mm
				inch	mm	inch	mm						
18	03	18 / 19	STD.	0.25	6.35	0.38	9.53	1.53	38.86	1.25	31.75	1.06	26.92
			A					2.53	64.26				
			B					3.53	89.66				
	04		STD.	0.38	9.53	0.50	12.70	1.53	38.86	1.25	31.75	1.16	29.46
			A					2.53	64.26				
			B					3.53	89.66				
	05		STD.	0.50	12.70	0.63	15.88	1.53	38.86	1.31	33.27	1.25	31.75
			A					2.53	64.26				
			B					3.53	89.66				
	06		STD.	0.63	15.88	0.75	19.05	1.53	38.86	1.38	35.05	1.38	35.05
			A					2.53	64.26				
			B					3.53	89.66				
	07		STD.	0.75	19.05	0.88	22.23	1.53	38.86	1.50	38.10	1.50	38.10
			A					2.53	64.26				
			B					3.53	89.66				
20	03	20 / 21	STD.	0.25	6.35	0.38	9.53	1.53	38.86	1.25	31.75	1.06	26.92
			A					2.53	64.26				
			B					3.53	89.66				
			C					4.53	115.06				
	04		STD.	0.38	9.53	0.50	12.70	1.53	38.86	1.25	31.75	1.16	29.46
			A					2.53	64.26				
			B					3.53	89.66				
			C					4.53	115.06				
	05		STD.	0.50	12.70	0.63	15.88	1.53	38.86	1.31	33.27	1.25	31.75
			A					2.53	64.26				
			B					3.53	89.66				
			C					4.53	115.06				
	06		STD.	0.63	15.88	0.75	19.05	1.53	38.86	1.38	35.05	1.38	35.05
			A					2.53	64.26				
			B					3.53	89.66				
C		4.53	115.06										
07	STD.	0.75	19.05	0.88	22.23	1.53	38.86	1.50	38.10	1.50	38.10		
	A					2.53	64.26						
	B					3.53	89.66						
	C					4.53	115.06						
08	STD.	0.88	22.23	1.00	25.40	1.53	38.86	1.63	41.40	1.63	41.40		
	A					2.53	64.26						
	B					3.53	89.66						
	C					4.53	115.06						
22	03	22 / 23	STD.	0.25	6.35	0.38	9.53	1.53	38.86	1.25	31.75	1.06	26.92
			A					2.53	64.26				
			B					3.53	89.66				
			C					4.53	115.06				
	04		STD.	0.38	9.53	0.50	12.70	1.53	38.86	1.25	31.75	1.16	29.46
			A					2.53	64.26				
			B					3.53	89.66				
			C					4.53	115.06				
	05		STD.	0.50	12.70	0.63	15.88	1.53	38.86	1.31	33.27	1.25	31.75
			A					2.53	64.26				
			B					3.53	89.66				
			C					4.53	115.06				
	06		STD.	0.63	15.88	0.75	19.05	1.53	38.86	1.38	35.05	1.38	35.05
			A					2.53	64.26				
			B					3.53	89.66				
C		4.53	115.06										

STRAIGHT; DIRECT COUPLING

Connector Group K

MIL-DTL-38999 Series I & II

TABLE A													
Accessory Shell Size	Clamp Size	Connector Shell Size	Length	Cable Range				L Max.		X Max.		Y Max.	
				Min.		Max.		inch	mm	inch	mm	inch	mm
				inch	mm	inch	mm						
22, cont.	07	22 / 23	STD.	0.75	19.05	0.88	22.23	1.53	38.86	1.50	38.10	1.50	38.10
			A					2.53	64.26				
			B					3.53	89.66				
			C					4.53	115.06				
	08		STD.	0.88	22.23	1.00	25.40	1.53	38.86	1.63	41.40	1.63	41.40
			A					2.53	64.26				
			B					3.53	89.66				
			C					4.53	115.06				
	09		STD.	1.00	25.40	1.13	28.58	1.53	38.86	1.63	41.40	1.75	44.45
			A					2.53	64.26				
			B					3.53	89.66				
			C					4.53	115.06				
24	04	24 / 25	STD.	0.38	9.53	0.50	12.70	1.53	38.86	1.25	31.75	1.16	29.46
			A					2.53	64.26				
			B					3.53	89.66				
			C					4.53	115.06				
	05		STD.	0.50	12.70	0.63	15.88	1.53	38.86	1.31	33.27	1.25	31.75
			A					2.53	64.26				
			B					3.53	89.66				
			C					4.53	115.06				
	06		STD.	0.63	15.88	0.75	19.05	1.53	38.86	1.38	35.05	1.38	35.05
			A					2.53	64.26				
			B					3.53	89.66				
			C					4.53	115.06				
	07		STD.	0.75	19.05	0.88	22.23	1.53	38.86	1.50	38.10	1.50	38.10
			A					2.53	64.26				
			B					3.53	89.66				
			C					4.53	115.06				
	08		STD.	0.88	22.23	1.00	25.40	1.53	38.86	1.63	41.40	1.63	41.40
			A					2.53	64.26				
			B					3.53	89.66				
			C					4.53	115.06				
	09		STD.	1.00	25.40	1.13	28.58	1.53	38.86	1.63	41.40	1.75	44.45
			A					2.53	64.26				
			B					3.53	89.66				
			C					4.53	115.06				
10	STD.	1.13	28.58	1.25	31.75	1.53	38.86	1.63	41.40	1.88	47.75		
	A					2.53	64.26						
	B					3.53	89.66						
	C					4.53	115.06						

STRAIGHT; SPIN COUPLING

Connector Group L

MIL-DTL-38999 Series III & IV

M85049	/18	11	W	03	A
SERIES	SLASH #	ACCESSORY SHELL SIZE	FINISH	CLAMP SIZE	LENGTH
	18: Straight	Table A	N: Electroless Nickel W: Cadmium Olive Drab Z: Black Zinc Nickel	Table A	Table A Omit for "STD"

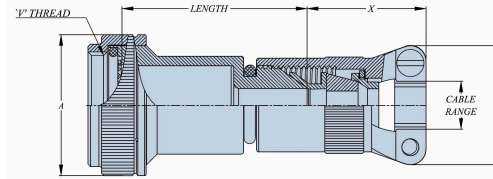


TABLE A

Accessory Shell Size	Clamp Size	Length	Connector Shell Size	Cable Range				A Ø Max.		B Max.		X Max.		Y Max.				
				Min. Wire		Max. Wire		inch	mm	inch	mm	inch	mm	inch	mm			
				inch	mm	inch	mm											
9	01	STD.	9 / A	0.06	1.57	0.13	3.18	0.75	19.05	1.53	38.86	1.25	31.75	0.80	20.32			
		A								2.53	64.26							
	02	STD.		0.13	3.18	0.25	6.35			1.53	38.86	1.25	31.75	1.00	25.40			
		A		2.53	64.26													
11	01	STD.		11 / B	0.06	1.57	0.13			3.18	0.85	21.59	1.53	38.86	1.25	31.75	0.80	20.32
		A											2.53	64.26				
	02	STD.			0.13	3.18	0.25			6.35			1.53	38.86	1.25	31.75	1.00	25.40
		A			2.53	64.26												
	03	STD.	0.25		6.35	0.38	9.53	1.53	38.86	1.25			31.75	1.10	27.94			
		A	2.53		64.26													
13	02	STD.	13 / C	0.13	3.18	0.25	6.35	1.00	25.40	1.53	38.86	1.25	31.75	1.00	25.40			
		A								2.53	64.26							
	03	STD.		0.25	6.35	0.38	9.53			1.53	38.86	1.25	31.75	1.10	27.94			
		A		2.53	64.26													
15	02	STD.	15 / D	0.13	3.18	0.25	6.35	1.15	29.21	1.53	38.86	1.25	31.75	1.00	25.40			
		A								2.53	64.26							
		B								3.53	89.66							
	03	STD.		0.25	6.35	0.38	9.53			1.53	38.86	1.25	31.75	1.10	27.94			
		A		2.53	64.26													
		B		3.53	89.66													
	04	STD.		0.38	9.53	0.50	12.70			1.53	38.86	1.25	31.75	1.20	30.48			
		A		2.53	64.26													
05	STD.	0.50	12.70	0.63	15.88	1.53	38.86	1.31	33.27	1.25	31.75							
	A	2.53	64.26															
	B	3.53	89.66															
17	02	STD.	17 / E	0.13	3.18	0.25	6.35	1.25	31.75	1.53	38.86	1.25	31.75	1.00	25.40			
		A								2.53	64.26							
		B								3.53	89.66							
	03	STD.		0.25	6.35	0.38	9.53			1.53	38.86	1.25	31.75	1.10	27.94			
		A		2.53	64.26													
		B		3.53	89.66													
	04	STD.		0.38	9.53	0.50	12.70			1.53	38.86	1.25	31.75	1.20	30.48			
		A		2.53	64.26													
	05	STD.		0.50	12.70	0.63	15.88			1.53	38.86	1.31	33.27	1.25	31.75			
		A		2.53	64.26													
		B		3.53	89.66													
	06	STD.		0.63	15.88	0.75	19.05			1.53	38.86	1.38	35.05	1.40	35.56			
A		2.53	64.26															
B		3.53	89.66															

STRAIGHT; SPIN COUPLING

Connector Group L

MIL-DTL-38999 Series III & IV

TABLE A															
Accessory Shell Size	Clamp Size	Length	Connector Shell Size	Cable Range				A Ø Max.		B Max.		X Max.		Y Max.	
				Min. Wire		Max. Wire		inch	mm	inch	mm	inch	mm	inch	mm
				inch	mm	inch	mm								
19	03	STD.	19 / F	0.25	6.35	0.38	9.53	1.40	35.56	1.53	38.86	1.25	31.75	1.10	27.94
		A								2.53	64.26				
		B								3.53	89.66				
	04	STD.		0.38	9.53	0.50	12.70			1.53	38.86	1.25	31.75	1.20	30.48
		A								2.53	64.26				
		B								3.53	89.66				
	05	STD.		0.50	12.70	0.63	15.88			1.53	38.86	1.31	33.27	1.25	31.75
		A								2.53	64.26				
		B								3.53	89.66				
	06	STD.		0.63	15.88	0.75	19.05			1.53	38.86	1.38	35.05	1.40	35.56
		A								2.53	64.26				
		B								3.53	89.66				
07	STD.	0.75	19.05	0.88	22.23	1.53	38.86	1.50	38.10	1.50	38.10				
	A					2.53	64.26								
	B					3.53	89.66								
21	03	STD.	21 / G	0.25	6.35	0.38	9.53	1.55	39.37	1.53	38.86	1.25	31.75	1.10	27.94
		A								2.53	64.26				
		B								3.53	89.66				
		C								4.53	115.06				
	04	STD.		0.38	9.53	0.50	12.70			1.53	38.86	1.25	31.75	1.20	30.48
		A								2.53	64.26				
		B								3.53	89.66				
		C								4.53	115.06				
	05	STD.		0.50	12.70	0.63	15.88			1.53	38.86	1.31	33.27	1.25	31.75
		A								2.53	64.26				
		B								3.53	89.66				
		C								4.53	115.06				
	06	STD.		0.63	15.88	0.75	19.05			1.53	38.86	1.38	35.05	1.40	35.56
		A								2.53	64.26				
		B								3.53	89.66				
		C								4.53	115.06				
	07	STD.		0.75	19.05	0.88	22.23			1.53	38.86	1.50	38.10	1.50	38.10
		A								2.53	64.26				
B		3.53	89.66												
C		4.53	115.06												
08	STD.	0.88	22.23	1.00	25.40	1.53	38.86	1.63	41.40	1.65	41.91				
	A					2.53	64.26								
	B					3.53	89.66								
	C					4.53	115.06								
23	03	STD.	23 / H	0.25	6.35	0.38	9.53	1.65	41.91	1.53	38.86	1.25	31.75	1.10	27.94
		A								2.53	64.26				
		B								3.53	89.66				
		C								4.53	115.06				
	04	STD.		0.38	9.53	0.50	12.70			1.53	38.86	1.25	31.75	1.20	30.48
		A								2.53	64.26				
		B								3.53	89.66				
		C								4.53	115.06				
	05	STD.		0.50	12.70	0.63	15.88			1.53	38.86	1.31	33.27	1.25	31.75
		A								2.53	64.26				
		B								3.53	89.66				
		C								4.53	115.06				
06	STD.	0.63	15.88	0.75	19.05	1.53	38.86	1.38	35.05	1.40	35.56				
	A					2.53	64.26								
	B					3.53	89.66								
	C					4.53	115.06								

STRAIGHT; SPIN COUPLING

Connector Group L

MIL-DTL-38999 Series III & IV

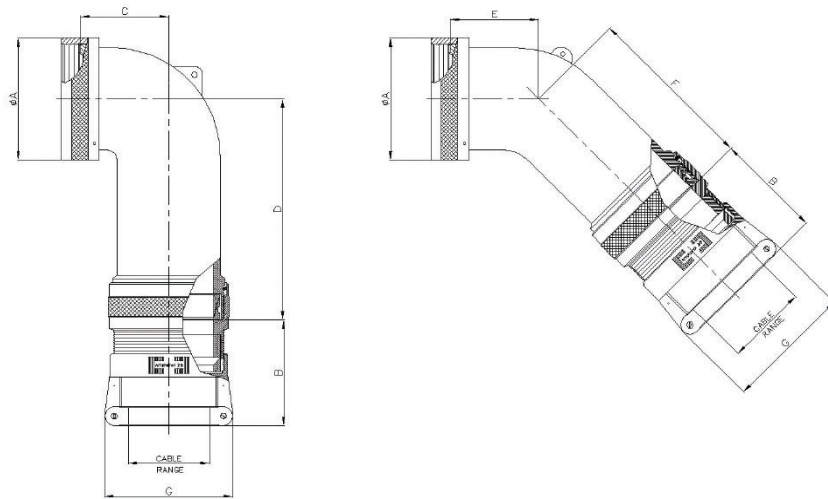
TABLE A															
Accessory Shell Size	Clamp Size	Length	Connector Shell Size	Cable Range				A Ø Max.		B Max.		X Max.		Y Max.	
				Min. Wire		Max. Wire		inch	mm	inch	mm	inch	mm	inch	mm
				inch	mm	inch	mm								
23	07	STD.	23 / H	0.75	19.05	0.88	22.23	1.65	41.91	1.53	38.86	1.50	38.10	1.50	38.10
		A								2.53	64.26				
		B								3.53	89.66				
		C								4.53	115.06				
	08	STD.		0.88	22.23	1.00	25.40			1.53	38.86	1.63	41.40	1.65	42.91
		A								2.53	64.26				
		B								3.53	89.66				
		C								4.53	115.06				
	09	STD.		1.00	25.40	1.13	28.58			1.53	38.86	1.63	41.40	1.75	44.45
		A								2.53	64.26				
		B								3.53	89.66				
		C								4.53	115.06				
25	04	STD.	25 / J	0.38	9.53	0.50	12.70	1.85	46.99	1.53	38.86	1.25	31.75	1.20	30.48
		A								2.53	64.26				
		B								3.53	89.66				
		C								4.53	115.06				
	05	STD.		0.50	12.70	0.63	15.88			1.53	38.86	1.31	33.27	1.25	31.75
		A								2.53	64.26				
		B								3.53	89.66				
		C								4.53	115.06				
	06	STD.		0.63	15.88	0.75	19.05			1.53	38.86	1.38	35.05	1.40	35.56
		A								2.53	64.26				
		B								3.53	89.66				
		C								4.53	115.06				
	07	STD.		0.75	19.05	0.88	22.23			1.53	38.86	1.50	38.10	1.50	38.10
		A								2.53	64.26				
		B								3.53	89.66				
		C								4.53	115.06				
	08	STD.		0.88	22.23	1.00	25.40			1.53	38.86	1.63	41.40	1.65	41.91
		A								2.53	64.26				
		B								3.53	89.66				
		C								4.53	115.06				
	09	STD.		1.00	25.40	1.13	28.58			1.53	38.86	1.63	41.40	1.75	44.45
		A								2.53	64.26				
		B								3.53	89.66				
		C								4.53	115.06				
10	STD.	1.13	28.58	1.25	31.75	1.53	38.86	1.63	41.40	1.90	48.26				
	A					2.53	64.26								
	B					3.53	89.66								
	C					4.53	115.06								

90° & 45°; SPIN COUPLING

Connector Group K

MIL-DTL-38999 Series I & II

M85049	/76	10	W	02
SERIES	SLASH #	ACCESSORY SHELL SIZE	FINISH	CLAMP SIZE
	76: 90° 77: 45°	Table A	N: Electroless Nickel W: Cadmium Olive Drab Z: Black Zinc Nickel	Table A



Accessory Shell Size	Clamp Size	Connector Shell Size	Cable Range				A Ø Max.		B. Max		C Max.		D Max.		E Max.		Y Max.	
			Min.		Max.		inch	mm	inch	mm	inch	mm	inch	mm	inch	mm	inch	mm
			inch	mm	inch	mm												
08	01	8 / 9	0.06	1.57	0.13	3.18	0.75	19.05	0.46	11.68	3.15	80.01	0.69	17.53	3.46	87.88	0.80	20.32
	02		0.13	3.18	0.25	6.35											1.00	25.40
10	01	10 / 11	0.06	1.57	0.13	3.18	0.85	21.59	0.52	13.21	3.21	81.53	0.78	19.81	3.58	90.93	0.80	20.32
	02		0.13	3.18	0.25	6.35											1.00	25.40
	03		0.25	6.35	0.38	9.53											1.10	27.94
12	02	12 / 13	0.13	3.18	0.25	6.35	1.00	25.40	0.58	14.73	3.27	83.06	0.80	20.32	3.60	91.44	1.00	25.40
	03		0.25	6.35	0.38	9.53											1.10	27.94
	04		0.38	9.53	0.50	12.70											1.20	30.48
14	02	14 / 15	0.13	3.18	0.25	6.35	1.15	29.21	0.65	16.51	3.36	85.34	0.88	22.35	3.67	93.22	1.00	25.40
	03		0.25	6.35	0.38	9.53											1.10	27.94
	04		0.38	9.53	0.50	12.70											1.20	30.48
	05		0.50	12.70	0.63	15.88											1.25	31.75
16	02	16 / 17	0.13	3.18	0.25	6.35	1.25	31.75	0.74	18.80	3.47	88.14	0.93	23.62	3.76	95.50	1.00	25.40
	03		0.25	6.35	0.38	9.53											1.10	27.94
	04		0.38	9.53	0.50	12.70											1.20	30.48
	05		0.50	12.70	0.63	15.88											1.25	31.75
18	06	18 / 19	0.63	15.88	0.75	19.05	1.40	35.56	0.93	23.62	3.66	92.96	1.01	25.65	3.93	99.82	1.40	35.56
	03		0.25	6.35	0.38	9.53											1.10	27.94
	04		0.38	9.53	0.50	12.70											1.20	30.48
	05		0.50	12.70	0.63	15.88											1.25	31.75
	07		0.75	19.05	0.88	22.23											1.50	38.10

90° & 45°; SPIN COUPLING

Connector Group K

MIL-DTL-38999 Series I & II

TABLE A																		
Accessory Shell Size	Clamp Size	Connector Shell Size	Cable Range				A Ø Max.		B. Max		C Max.		D Max.		E Max.		Y Max.	
			Min.		Max.		inch	mm	inch	mm	inch	mm	inch	mm	inch	mm	inch	mm
			inch	mm	inch	mm												
20	03	20 / 21	0.25	6.35	0.38	9.53	1.55	39.37	0.93	23.62	3.66	92.96	1.06	26.92	3.93	99.82	1.10	27.94
	04		0.38	9.53	0.50	12.70											1.20	30.48
	05		0.50	12.70	0.63	15.88											1.25	31.75
	06		0.63	15.88	0.75	19.05											1.40	35.56
	07		0.75	19.05	0.88	22.23											1.50	38.10
	08		0.88	22.23	1.00	25.40											1.65	41.91
22	03	22 / 23	0.25	6.35	0.38	9.53	1.65	41.91	1.02	25.91	3.81	96.77	1.17	29.72	4.04	102.62	1.10	27.94
	04		0.38	9.53	0.50	12.70											1.20	30.48
	05		0.50	12.70	0.63	15.88											1.25	31.75
	06		0.63	15.88	0.75	19.05											1.40	35.56
	07		0.75	19.05	0.88	22.23											1.50	38.10
	08		0.88	22.23	1.00	25.40											1.65	41.91
24	04	24 / 25	0.38	9.53	0.50	12.70	1.85	46.99	1.02	25.91	3.81	96.77	1.18	29.97	4.04	102.62	1.20	30.48
	05		0.50	12.70	0.63	15.88											1.25	31.75
	06		0.63	15.88	0.75	19.05											1.40	35.56
	07		0.75	19.05	0.88	22.23											1.50	38.10
	08		0.88	22.23	1.00	25.40											1.65	41.91
	09		1.00	25.40	1.13	28.58											1.75	44.45
	10		1.13	28.58	1.25	31.75	1.90	48.26										

90° & 45°; SPIN COUPLING

Connector Group L

MIL-DTL-38999 Series III & IV

M85049	/79	11	W	03
SERIES	SLASH #	ACCESSORY SHELL SIZE	FINISH	CLAMP SIZE
	78: 45° 79: 90°	Table A	N: Electroless Nickel W: Cadmium Olive Drab Z: Black Zinc Nickel	Table A

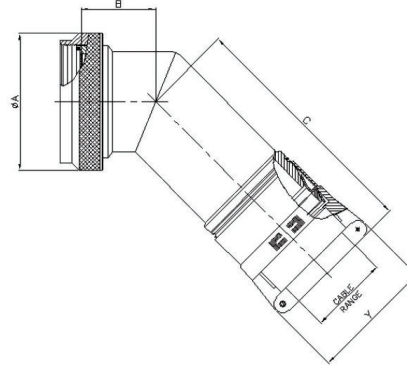
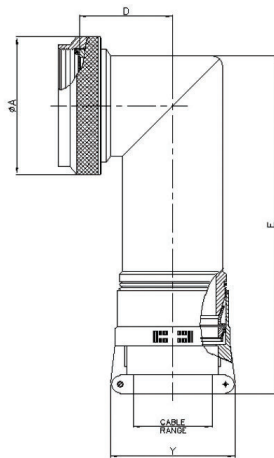


TABLE A

Accessory Shell Size	Clamp Size	Connector Shell Size	Cable Range				A Ø Max.		B. Max		C Max.		D Max.		E Max.		Y Max.	
			Min.		Max.		inch	mm	inch	mm	inch	mm	inch	mm	inch	mm	inch	mm
			inch	mm	inch	mm												
09	01	09 / A	0.06	1.57	0.13	3.18	0.75	19.05	0.46	11.68	3.15	80.01	0.69	17.53	3.46	87.88	0.80	20.32
	02		0.13	3.18	0.25	6.35											1.00	25.40
11	01	11 / B	0.06	1.57	0.13	3.18	0.85	21.59	0.52	13.21	3.21	81.53	0.78	19.81	3.58	90.93	0.80	20.32
	02		0.13	3.18	0.25	6.35											1.00	25.40
	03		0.25	6.35	0.38	9.53											1.10	27.94
13	02	13 / C	0.13	3.18	0.25	6.35	1.00	25.40	0.58	14.73	3.27	83.06	0.80	20.32	3.60	91.44	1.00	25.40
	03		0.25	6.35	0.38	9.53											1.10	27.94
	04		0.38	9.53	0.50	12.70											1.20	30.48
15	02	15 / D	0.13	3.18	0.25	6.35	1.15	29.21	0.65	16.51	3.36	85.34	0.88	22.35	3.67	93.22	1.00	25.40
	03		0.25	6.35	0.38	9.53											1.10	27.94
	04		0.38	9.53	0.50	12.70											1.20	30.48
	05		0.50	12.70	0.63	15.88											1.25	31.75
17	02	17 / E	0.13	3.18	0.25	6.35	1.25	31.75	0.74	18.80	3.47	88.14	0.93	23.62	3.76	95.50	1.00	25.40
	03		0.25	6.35	0.38	9.53											1.10	27.94
	04		0.38	9.53	0.50	12.70											1.20	30.48
	05		0.50	12.70	0.63	15.88											1.25	31.75
	06		0.63	15.88	0.75	19.05											1.40	35.56

90° & 45°; SPIN COUPLING

Connector Group L

MIL-DTL-38999 Series III & IV

TABLE A																		
Accessory Shell Size	Clamp Size	Connector Shell Size	Cable Range				A Ø Max.		B. Max		C Max.		D Max.		E Max.		Y Max.	
			Min.		Max.		inch	mm	inch	mm	inch	mm	inch	mm	inch	mm	inch	mm
			inch	mm	inch	mm												
19	03	19 / F	0.25	6.35	0.38	9.53	1.40	35.56	0.93	23.62	3.66	92.96	1.01	25.65	3.93	99.82	1.10	27.94
	04		0.38	9.53	0.50	12.70											1.20	30.48
	05		0.50	12.70	0.63	15.88											1.25	31.75
	06		0.63	15.88	0.75	19.05											1.40	35.56
	07		0.75	19.05	0.88	22.23											1.50	38.10
21	03	21 / G	0.25	6.35	0.38	9.53	1.55	39.37	0.93	23.62	3.66	92.96	1.06	26.92	3.93	99.82	1.10	27.94
	04		0.38	9.53	0.50	12.70											1.20	30.48
	05		0.50	12.70	0.63	15.88											1.25	31.75
	06		0.63	15.88	0.75	19.05											1.40	35.56
	07		0.75	19.05	0.88	22.23											1.50	38.10
	08		0.88	22.23	1.00	25.40											1.65	41.91
23	03	23 / H	0.25	6.35	0.38	9.53	1.65	41.91	1.02	25.91	3.81	96.77	1.17	29.72	4.04	102.62	1.10	27.94
	04		0.38	9.53	0.50	12.70											1.20	30.48
	05		0.50	12.70	0.63	15.88											1.25	31.75
	06		0.63	15.88	0.75	19.05											1.40	35.56
	07		0.75	19.05	0.88	22.23											1.50	38.10
	08		0.88	22.23	1.00	25.40											1.65	41.91
	09		1.00	25.40	1.13	28.58											1.75	44.45
25	04	25 / J	0.38	9.53	0.50	12.70	1.85	46.99	1.02	25.91	3.81	96.77	1.18	29.97	4.04	102.62	1.20	30.48
	05		0.50	12.70	0.63	15.88											1.25	31.75
	06		0.63	15.88	0.75	19.05											1.40	35.56
	07		0.75	19.05	0.88	22.23											1.50	38.10
	08		0.88	22.23	1.00	25.40											1.65	41.91
	09		1.00	25.40	1.13	28.58											1.75	44.45
	10		1.13	28.58	1.25	31.75											1.90	48.26

STRAIGHT

Connector Group L

MIL-DTL-38999 Series III & IV

M85049	149	-17	W
SERIES	SLASH #	SHELL SIZE	FINISH
	149: Straight	11 13 15 17 19 21 23 25	W: Aluminum, Cadmium Olive Drab Z: Aluminum, Zinc Nickel N: Aluminum, Electroless Nickel

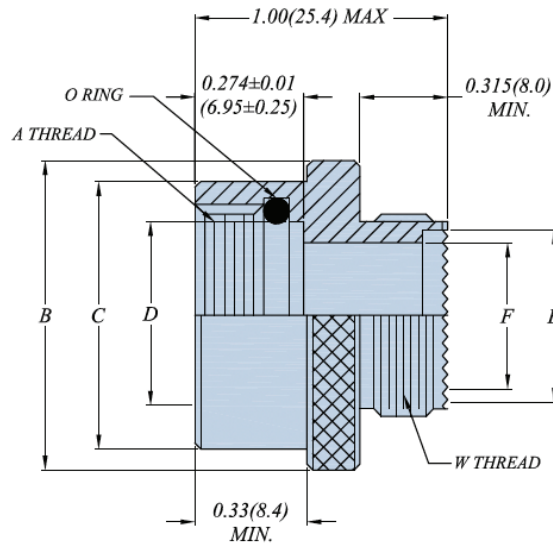


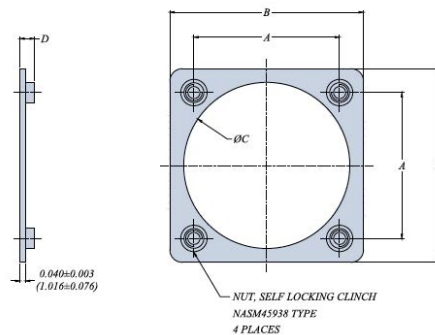
TABLE-A

ACCESSORY SHELL SIZE	SHELL SIZE	A Thread	B Max		C Max		D Min		E Max		F Min		W Thread
			inch	mm	inch	mm	inch	mm	inch	mm	inch	mm	
11	B	M15 X 1.0 6H	1.046	26.57	0.765	19.43	0.539	13.69	0.475	12.07	0.432	10.97	M15 X 1.0 6g
13	C	M18 X 1.0 6H	1.169	29.69	0.888	22.56	0.658	16.71	0.589	14.96	0.546	13.87	M18 X 1.0 6g
15	D	M22 X 1.0 6H	1.287	32.69	1.006	25.55	0.815	20.70	0.714	18.14	0.671	17.04	M22 X 1.0 6g
17	E	M25 X 1.0 6H	1.423	36.14	1.142	29.01	0.933	23.70	0.839	21.31	0.796	20.22	M25 X 1.0 6g
19	F	M28 X 1.0 6H	1.537	39.04	1.256	31.90	1.051	26.70	0.945	24.00	0.902	22.91	M28 X 1.0 6g
21	G	M31 X 1.0 6H	1.663	42.24	1.382	35.10	1.169	29.69	1.070	27.18	1.027	26.09	M31 X 1.0 6g
23	H	M34 X 1.0 6H	1.787	45.39	1.506	38.25	1.287	32.69	1.194	30.33	1.152	29.26	M34 X 1.0 6g
25	J	M37 X 1.0 6H	1.913	48.59	1.632	41.45	1.405	35.69	1.320	33.53	1.277	32.44	M37 X 1.0 6g

FULL PERIMETER

All Receptacle shells

M85049	/94	-10	A
SERIES	SLASH #	DASH #	FINISH
		Table A	A - Polyamide primer coating as per MIL-PRF-23377 type 1 Omit for chemical conversion coating per MIL-DTL-5541 class 1A



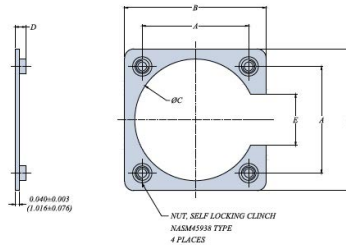
DASH #	THREAD UNJC-3B	A ±0.015 (±0.38)		B. Max		C		D	
		inch	mm	inch	mm	inch	mm	inch	mm
8	4-40	0.594	15.09	0.900	22.86	0.555/0.585	14.10/14.86	0.106/0.166	2.69/4.22
10	4-40	0.719	18.26	1.034	26.26	0.685/0.735	17.40/18.67	0.106/0.166	2.69/4.22
12	4-40	0.812	20.62	1.119	28.42	0.820/0.860	20.83/21.84	0.106/0.166	2.69/4.22
14	4-40	0.906	23.01	1.213	30.81	0.945/0.990	24.00/25.15	0.106/0.166	2.69/4.22
16	4-40	0.969	24.61	1.295	32.89	1.070/1.100	27.18/27.94	0.106/0.166	2.69/4.22
18	4-40	1.062	26.97	1.421	36.09	1.195/1.225	30.35/30.99	0.106/0.166	2.69/4.22
20	4-40	1.156	29.36	1.550	39.37	1.320/1.350	33.53/34.29	0.106/0.166	2.69/4.22
22	4-40	1.250	31.75	1.680	42.67	1.440/1.485	36.58/37.72	0.106/0.166	2.69/4.22
24	6-32	1.375	34.93	1.800	45.72	1.570/1.600	39.88/40.64	0.123/0.183	3.12/4.65
25	6-32	1.500	38.10	1.910	48.51	1.643/1.673	41.73/42.49	0.123/0.183	3.12/4.65

DASH #	MIL-DTL-38999				AS50151	AS81703 SERIES 3	MIL-DTL-26482 SERIES 1&2	MIL-DTL-83723 SERIES III	MIL-DTL-26500 NAS 1599	MIL-C-81511	MIL-DTL-27599
	SERIES I	SERIES II	SERIES III	SERIES IV							
CONNECTOR SHELL SIZE											
8		8			8S		8	8	8	8	8
10	9	10	9(A)		10SL	7	10	10	10	10	10
12	11	12	11(B)	11(B)	12, 12S	12	12	12	12		12
14	13	14	13(C)	13(C)	14, 14S	19	14	14	14	14	14
16	15	16	15(D)	15(D)	16, 16S	27	16	16	16	16	16
18	17	18	17(E)	17(E)	18		18	18	18	18	18
20	19	20	19(F)	19(F)	20		20	20	20	20	20
22	21	22	21(G)	21(G)	22		22	22	22	22	22
24	23	24	23(H)	23(H)	24		24	24	24	24	24
25	25		25(J)	25(J)							

3/4 PERIMETER

All Receptacle shells

M85049	/95	-10A	A
SERIES	SLASH #	DASH A & CLASS #	FINISH
		Table A	A - Polyamide primer coating as per MIL-PRF-23377 type 1 Omit for chemical conversion coating per MIL-DTL-5541 class 1A



DASH #	Class	THREAD UNJC-3B	A		B Max.		C		D		E	
			±0.005	±0.127			±0.015	±0.38			±0.030	±0.76
			inch	mm	inch	mm	inch	mm	inch	mm	inch	mm
3	A	4-40	0.625	15.88	0.940	23.88	0.641	16.28	0.106/0.166	2.69/4.22	0.325	8.26
7	A	4-40	0.719	18.26	1.034	26.26	0.688	17.48	0.106/0.166	2.69/4.22	0.433	11.00
8	A	4-40	0.594	15.09	0.900	22.86	0.570	14.48	0.106/0.166	2.69/4.22	0.308	7.82
10	A	4-40	0.719	18.26	1.034	26.26	0.720	18.29	0.106/0.166	2.69/4.22	0.433	11.00
10	B	6-32	0.812	20.62	1.202	30.53	0.749	19.02	0.123/0.183	3.12/4.65	0.433	11.00
12	A	4-40	0.812	20.62	1.119	28.42	0.855	21.72	0.106/0.166	2.69/4.22	0.530	13.46
12	B	6-32	0.938	23.83	1.327	33.71	0.938	23.83	0.123/0.183	3.12/4.65	0.530	13.46
14	A	4-40	0.906	23.01	1.213	30.81	0.984	24.99	0.106/0.166	2.69/4.22	0.624	15.85
14	B	6-32	1.031	26.19	1.421	36.09	1.031	26.19	0.123/0.183	3.12/4.65	0.624	15.85
16	A	4-40	0.969	24.61	1.295	32.89	1.094	27.79	0.106/0.166	2.69/4.22	0.687	17.45
16	B	6-32	1.125	28.58	1.515	38.48	1.125	28.58	0.123/0.183	3.12/4.65	0.687	17.45
18	A	4-40	1.062	26.97	1.421	36.09	1.220	30.99	0.106/0.166	2.69/4.22	0.780	19.81
18	B	6-32	1.203	30.56	1.593	40.46	1.234	31.34	0.123/0.183	3.12/4.65	0.780	19.81
19	A	4-40	0.906	23.01	1.207	30.66	0.953	24.21	0.106/0.166	2.69/4.22	0.620	15.75
20	A	4-40	1.156	29.36	1.550	39.37	1.345	34.16	0.106/0.166	2.69/4.22	0.874	22.20
20	B	6-32	1.297	32.94	1.703	43.26	1.359	34.52	0.123/0.183	3.12/4.65	0.865	21.97
22	A	4-40	1.250	31.75	1.680	42.67	1.478	37.54	0.106/0.166	2.69/4.22	0.968	24.59
22	B	6-32	1.375	34.93	1.753	44.53	1.483	37.67	0.123/0.183	3.12/4.65	0.907	23.04
24	A	6-32	1.500	38.10	1.906	48.41	1.560	39.62	0.123/0.183	3.12/4.65	1.000	25.40
24	B	6-32	1.375	34.93	1.800	45.72	1.595	40.51	0.123/0.183	3.12/4.65	1.031	26.19
25	A	6-32	1.500	38.10	1.906	48.41	1.658	42.11	0.123/0.183	3.12/4.65	1.125	28.58
27	A	4-40	0.969	24.61	1.270	32.26	1.094	27.79	0.106/0.166	2.69/4.22	0.683	17.35
28	A	6-32	1.562	39.67	2.015	51.18	1.820	46.23	0.123/0.183	3.12/4.65	1.125	28.58
32	A	6-32	1.750	44.45	2.327	59.11	2.062	52.37	0.123/0.183	3.12/4.65	1.188	30.18
36	A	6-32	1.938	49.23	2.515	63.88	2.312	58.72	0.123/0.183	3.12/4.65	1.375	34.93
37	A	4-40	1.187	30.15	1.515	38.48	1.281	32.54	0.106/0.166	2.69/4.22	0.874	22.20

3/4 PERIMETER

All Receptacle shells

TABLE B – MOUNTING FLANGE CONNECTOR APPLICATION DATA											
Accessory Shell Size	MIL-DTL-38999				MIL-DTL-5015	AS81703 SERIES 3	MIL-DTL-26482 SERIES 1 & 2	MIL-DTL-83723 SERIES III	MIL-DTL-26500 NAS 1599	MIL-C-81511	MIL-DTL-27599
	SERIES I	SERIES II	SERIES III	SERIES IV							
CONNECTOR SHELL SIZE											
3A						3					
7A						7					
8A		8			8S		8	8	8	8	8
10A	9	10	9 (A)		10SL		10	10	10	10	10
10B											
12A	11	12	11 (B)	11 (B)	12, 12S	12	12	12	12		12
12B											
14A	13	14	13 (C)	13 (C)	14, 14S	19	14	14	14	14	14
14B											
16A	15	16	15 (D)	15 (D)	16, 16S	27	16	16	16	16	16
16B											
18A	17	18	17 (E)	17 (E)	18		18	18	18	18	18
18B											
20A	19	20	19 (F)	19 (F)	20		20	20	20	20	20
20B											
22A	21	22	21 (G)	21 (G)	22		22	22	22	22	22
22B											
24A											
24B	23	24	23 (H)	23 (H)	24		24	24	24	24	24
25A	25		25 (J)	25 (J)							
27A											
28A					28						
32A											
36A											
37A						37					
61A						61					

1/4 PERIMETER

All Receptacle shells

M85049	/96	-10	A
SERIES	SLASH #	DASH #	FINISH
		Table A	A - Polyamide primer coating as per MIL-PRF-23377 type 1 Omit for chemical conversion coating per MIL-DTL-5541 class 1A

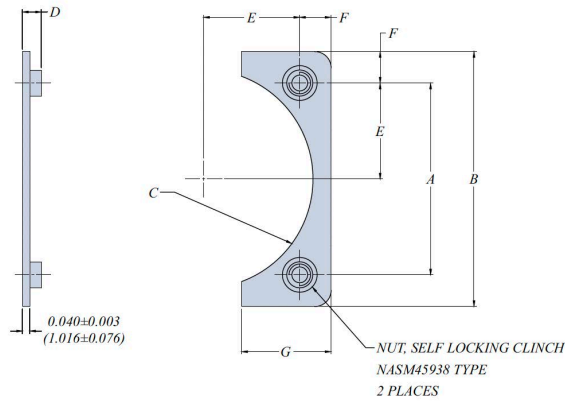


TABLE A

DASH #	THREAD UNJC-3B	A		B Max.		C Min.		D		E		F Ref.		G Max.	
		±0.005	±0.127	inch	mm	inch	mm	inch	mm	±0.005	±0.127	inch	mm	inch	mm
		inch	mm							inch	mm				
3	4-40	0.625	15.88	0.940	23.88	0.320	8.13	0.106/0.166	0.269/4.22	0.312	7.92	0.150	3.81	0.310	7.87
7	4-40	0.719	18.26	1.034	26.26	0.329	8.36	0.106/0.166	0.269/4.22	0.359	9.12	0.149	3.78	0.308	7.82
8	4-40	0.594	15.09	0.906	23.01	0.262	6.65	0.106/0.166	0.269/4.22	0.297	7.54	0.148	3.76	0.306	7.77
10	4-40	0.719	18.26	1.034	26.26	0.344	8.74	0.106/0.166	0.269/4.22	0.359	9.12	0.149	3.78	0.308	7.82
12	4-40	0.812	20.62	1.124	28.55	0.410	10.41	0.106/0.166	0.269/4.22	0.406	10.31	0.148	3.76	0.306	7.77
14	4-40	0.906	23.01	1.218	30.94	0.492	12.50	0.106/0.166	0.269/4.22	0.453	11.51	0.148	3.76	0.306	7.77
16	4-40	0.969	24.61	1.295	32.89	0.532	13.51	0.106/0.166	0.269/4.22	0.484	12.29	0.149	3.78	0.308	7.82
18	4-40	1.062	26.97	1.405	35.69	0.610	15.49	0.106/0.166	0.269/4.22	0.531	13.49	0.164	4.17	0.338	8.59
19	4-40	0.906	23.01	1.218	30.94	0.461	11.71	0.106/0.166	0.269/4.22	0.453	11.51	0.148	3.76	0.306	7.77
20	4-40	1.156	29.36	1.550	39.37	0.657	16.69	0.106/0.166	0.269/4.22	0.578	14.68	0.177	4.50	0.364	9.25
22	4-40	1.250	31.75	1.680	42.67	0.724	18.39	0.106/0.166	0.269/4.22	0.625	15.88	0.195	4.95	0.400	10.16
24	6-32	1.375	34.93	1.800	45.72	0.782	19.86	0.123/0.183	0.312/4.65	0.687	17.45	0.193	4.90	0.396	10.06
25	6-32	1.500	38.10	1.906	48.41	0.814	20.68	0.123/0.183	0.312/4.65	0.750	19.05	0.179	4.55	0.368	9.35
27	4-40	0.969	24.61	1.281	32.54	0.547	13.89	0.106/0.166	0.269/4.22	0.484	12.29	0.149	3.78	0.308	7.82
28	6-32	1.562	39.67	2.015	51.18	0.895	22.73	0.123/0.183	0.312/4.65	0.781	19.84	0.219	5.56	0.448	11.38
32	6-32	1.750	44.45	2.327	59.11	1.016	25.81	0.123/0.183	0.312/4.65	0.875	22.23	0.281	7.14	0.572	14.53
36	6-32	1.938	49.23	2.515	63.88	1.141	28.98	0.123/0.183	0.312/4.65	0.969	24.61	0.281	7.14	0.572	14.53
37	4-40	1.187	30.15	1.515	38.48	0.625	15.88	0.106/0.166	0.269/4.22	0.593	15.06	0.157	3.99	0.324	8.23
61	4-40	1.437	36.50	1.827	46.41	0.732	18.59	0.106/0.166	0.269/4.22	0.718	18.24	0.188	4.78	0.386	9.80

1/4 PERIMETER

All Receptacle shells

TABLE B - MOUNTING FLANGE CONNECTOR APPLICATION DATA											
Accessory Shell Size	MIL-DTL-38999				MIL-DTL-5015	AS81703 SERIES 3	MIL DTL-26482 SERIES 1 & 2	MILDTL-83723 SERIES III	MILDTL-26500 NAS 1599	MILC- 81511	MIL DTL-27599
	SERIES I	SERIES II	SERIES III	SERIES IV							
CONNECTOR SHELL SIZE											
3						3					
7						7					
8		8			8S		8	8	8	8	8
10	9	10	9(A)		10SL		10	10	10	10	10
12	11	12	11(B)	11(B)	12, 12S	12	12	12	12		12
14	13	14	13(C)	13(C)	14, 14S	19	14	14	14	14	14
16	15	16	15(D)	15(D)	16, 16S	27	16	16	16	16	16
18	17	18	17(E)	17(E)	18		18	18	18	18	18
20	19	20	19(F)	19(F)	20		20	20	20	20	20
22	21	22	21(G)	21(G)	22		22	22	22	22	22
24	23	24	23(H)	23(H)	24		24	24	24	24	24
25	25		25(J)	25(J)							
27											
28											
32											
36											
37						37					
61						61					

All Receptacle shells

M85049	/130	-02	F
SERIES	SLASH #	DASH #	BASE MATERIAL
		Table A	F: Blue Fluorosilicone N: Black Neprene S: Red Silicone V: Black - Viton

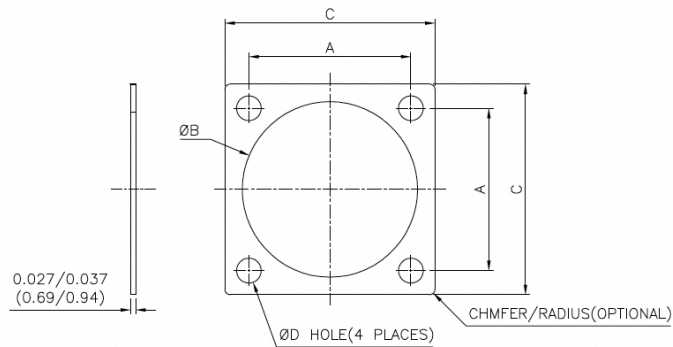


TABLE A								
DASH #	A		B		C		D	
	±0.015	±0.381	+0.02 / -0	+0.50 / -0	±0.015	±0.381	±0.010	±0.254
	inch	mm	inch	mm	inch	mm	inch	mm
01	0.594	15.09	0.568	14.43	0.812	20.62	0.125	3.18
02	0.594	15.09	0.500	12.70	0.875	22.23	0.156	3.96
03	0.625	15.88	0.603	15.32	0.896	22.76	0.125	3.18
04	0.719	18.26	0.680	17.27	0.937	23.80	0.125	3.18
05	0.719	18.26	0.625	15.88	1.000	25.40	0.156	3.96
05A	0.717	18.21	0.717	18.21	1.000	25.40	0.165	4.19
06	0.750	19.05	0.750	19.05	1.023	25.98	0.125	3.18
07	0.812	20.62	0.875	22.23	1.060	26.92	0.141	3.58
08	0.812	20.62	0.828	21.03	1.114	28.30	0.125	3.18
09	0.813	20.65	0.750	19.05	1.094	27.79	0.141	3.58
10	0.843	21.41	0.875	22.23	1.138	28.91	0.125	3.18
11	0.906	23.01	1.005	25.53	1.153	29.29	0.125	3.18
12	0.906	23.01	0.938	23.83	1.125	28.58	0.125	3.18
13	0.906	23.01	0.875	22.23	1.188	30.18	0.156	3.96
13A	0.906	23.01	0.969	24.61	1.181	30.00	0.165	4.19
14	0.969	24.61	1.135	28.83	1.258	31.95	0.156	3.96
15	0.969	24.61	1.063	27.00	1.250	31.75	0.125	3.18
16	0.969	24.61	1.000	25.40	1.281	32.54	0.156	3.96
16A	0.969	24.61	1.079	27.41	1.280	32.51	0.165	4.19
17	1.015	25.78	1.125	28.58	1.383	35.13	0.125	3.18
18	1.062	26.97	1.260	32.00	1.351	34.32	0.156	3.96
19	1.062	26.97	1.189	30.20	1.343	34.11	0.125	3.18
20	1.062	26.97	1.135	28.83	1.375	34.93	0.156	3.96
20A	1.063	27.00	1.213	30.81	1.378	35.00	0.165	4.19

All Receptacle shells

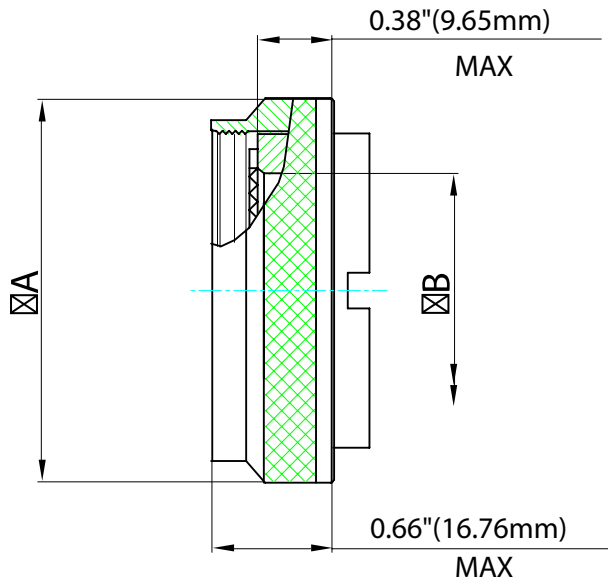
TABLE A								
DASH #	A		B		C		D	
	±0.015	±0.381	+0.02 / -0	+0.50 / -0	±0.015	±0.381	±0.010	±0.254
	inch	mm	inch	mm	inch	mm	inch	mm
21	1.140	28.96	1.312	33.32	1.508	38.30	0.125	3.18
22	1.156	29.36	1.375	34.93	1.500	38.10	0.141	3.58
23	1.156	29.36	1.312	33.32	1.467	37.26	0.125	3.18
24	1.156	29.36	1.250	31.75	1.500	38.10	0.177	4.50
24A	1.157	29.39	1.346	34.19	1.496	38.00	0.165	4.19
25	1.187	30.15	1.266	32.16	1.458	37.03	0.125	3.18
26	1.250	31.75	1.500	38.10	1.625	41.28	0.141	3.58
27	1.250	31.75	1.437	36.50	1.562	39.67	0.125	3.18
28	1.250	31.75	1.375	34.93	1.625	41.28	0.177	4.50
28A	1.252	31.80	1.472	37.39	1.614	41.00	0.165	4.19
29	1.281	32.54	1.500	38.10	1.718	43.64	0.125	3.18
30	1.375	34.93	1.625	41.28	1.750	44.45	0.177	4.50
31	1.375	34.93	1.563	39.70	1.703	43.26	0.156	3.96
32	1.375	34.93	1.500	38.10	1.750	44.45	0.203	5.16
32A	1.374	34.90	1.610	40.89	1.752	44.50	0.165	4.19
33	1.392	35.36	1.625	41.28	1.818	46.18	0.141	3.58
34	1.436	36.47	1.570	39.88	1.799	45.69	0.125	3.18
35	1.500	38.10	1.750	44.45	1.875	47.63	0.177	4.50
36	1.562	39.67	1.750	44.45	2.000	50.80	0.203	5.16
36A	1.563	39.70	1.839	46.71	2.000	50.80	0.201	5.11
37	1.568	39.83	1.875	47.63	2.138	54.31	0.141	3.58
38	1.719	43.66	2.000	50.80	2.375	60.33	0.177	4.50
39	1.734	44.04	2.062	52.37	2.328	59.13	0.177	4.50
40	1.750	44.45	2.000	50.80	2.250	57.15	0.219	5.56
40A	1.752	44.50	2.102	53.39	2.244	57.00	0.201	5.11
41	1.906	48.41	2.250	57.15	2.625	66.68	0.219	5.56
42	1.938	49.23	2.250	57.15	2.500	63.50	0.219	5.56
42A	1.937	49.20	2.346	59.59	2.500	63.50	0.201	5.11
43	2.188	55.58	2.500	63.50	2.750	69.85	0.219	5.56
44	2.375	60.33	2.781	70.64	3.000	76.20	0.219	5.56
45	2.406	61.11	2.750	69.85	3.125	79.38	0.281	7.14
46	2.625	66.68	3.031	76.99	3.250	82.55	0.219	5.56
47	2.656	67.46	3.000	76.20	3.375	85.73	0.281	7.14
48	2.906	73.81	3.250	82.55	3.625	92.08	0.281	7.14
49	3.156	80.16	3.500	88.90	3.875	98.43	0.281	7.14

STRAIGHT; SELF-LOCK/SPIN

Connector Group L

MIL-DTL-38999 Series III & IV

M85049	/14	-	11	W
SERIES	SLASH #	COUPLING	ACCESSORY SHELL SIZE	FINISH
	14: Straight	S: Self Lock -: Spin	Table A	N: Electroless Nickel W: Cadmium Olive Drab Z: Black Zinc Nickel



Accessory Shell Size	Connector Shell Size	A Ø Max.		B Ø Max.	
		inch	mm	inch	mm
9	9 / A	0.86	21.79	0.26	6.71
11	11 / B	0.98	24.99	0.39	9.91
13	13 / C	1.16	29.39	0.50	12.80
15	15 / D	1.28	32.49	0.63	16.00
17	17 / E	1.41	35.71	0.76	19.20
19	19 / F	1.52	38.51	0.84	21.41
21	21 / G	1.64	41.71	0.97	24.64
23	23 / H	1.77	44.91	1.09	27.71
25	25 / J	1.87	47.98	1.22	30.91

STRAIGHT; SELF-LOCK/SPIN

Connector Group K

MIL-DTL-38999 Series I & II

M85049	/27	-	10	W
SERIES	SLASH #	COUPLING	DASH #	FINISH
	27: Straight	S: Self Lock -: Spin	Table A	N: Electroless Nickel W: Cadmium Olive Drab Z: Black Zinc Nickel

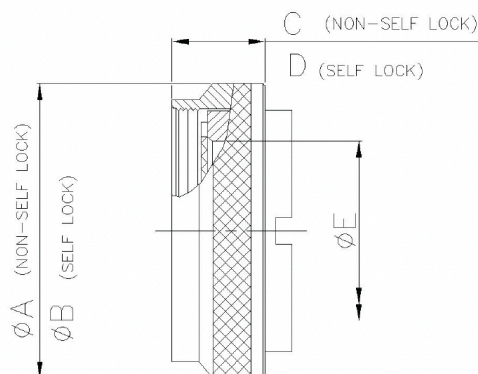


TABLE A

DASH #	Connector Shell Size	A Ø Max.		B Ø Max.		C Max.		D Max.		E Max.	
		inch	mm	inch	mm	inch	mm	inch	mm	inch	mm
8	8 / 9	0.75	19.05	0.86	21.82	0.54	13.72	0.59	14.99	0.27	6.86
10	10 / 11	0.85	21.59	0.98	24.99	0.54	13.72	0.59	14.99	0.41	10.41
12	12 / 13	1.00	25.40	1.16	29.36	0.54	13.72	0.59	14.99	0.53	13.46
14	14 / 15	1.10	27.94	1.28	32.54	0.54	13.72	0.59	14.99	0.65	16.51
16	16 / 17	1.25	31.75	1.41	35.71	0.54	13.72	0.59	14.99	0.78	19.81
18	18 / 19	1.40	35.56	1.52	38.51	0.54	13.72	0.59	14.99	0.88	22.35
20	20 / 21	1.50	38.10	1.64	41.68	0.54	13.72	0.59	14.99	1.01	25.65
22	22 / 23	1.65	41.91	1.77	44.86	0.54	13.72	0.59	14.99	1.13	28.70
24	24 / 25	1.75	44.45	1.89	48.03	0.54	13.72	0.59	14.99	1.26	32.00

STRAIGHT; SELF-LOCK/SPIN

Connector Group J

MIL-DTL-26482 Series II; MIL-DTL-83723 Series III; AS50151; AS81703

M85049	/31	-	10	W
SERIES	SLASH #	COUPLING	ACCESSORY SHELL SIZE	FINISH
	/31: Straight	S: Self Lock -: Spin	Table A	A: Hard Anodized Black N: Electroless Nickel W: Cadmium Olive Drab Z: Black Zinc Nickel

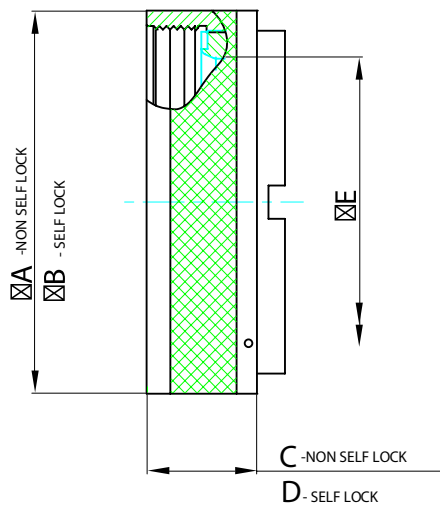


TABLE A

Accessory Shell Size	Connector Shell Size	A Ø Max.		B Ø Max.		C Max.		D Max.		E Max.	
		inch	mm	inch	mm	inch	mm	inch	mm	inch	mm
08	8	0.62	15.67	0.89	22.48	0.54	13.72	0.71	18.03	0.27	6.86
10	10	0.73	18.64	1.01	25.65	0.54	13.72	0.71	18.03	0.38	9.53
12	7/12	0.86	21.79	1.14	28.83	0.54	13.72	0.71	18.03	0.51	12.98
14	12/14	0.98	24.99	1.26	32.00	0.54	13.72	0.71	18.03	0.59	14.86
16	19/16	1.11	28.24	1.39	35.18	0.54	13.72	0.71	18.03	0.71	18.03
18	27/18	1.22	30.94	1.51	38.35	0.54	13.72	0.71	18.03	0.79	20.04
20	37/20	1.35	34.16	1.64	41.53	0.54	13.72	0.71	18.03	0.91	23.22
22	22	1.47	37.29	1.76	44.70	0.54	13.72	0.71	18.03	1.04	26.39
24	24	1.59	40.46	1.89	47.88	0.54	13.72	0.71	18.03	1.15	29.31
28	28	1.97	50.01	2.14	54.23	0.70	17.83	0.89	22.61	1.39	35.28
32	32	2.22	56.36	2.40	60.83	0.70	17.83	0.89	22.61	1.64	41.53
36	36	2.47	62.71	2.64	66.93	0.70	17.83	0.89	22.61	1.85	46.99
40	40	2.72	69.06	2.89	73.28	0.70	17.83	0.89	22.61	2.07	52.45
44	44	2.97	75.41	3.14	79.63	0.70	17.83	0.89	22.61	2.32	58.93
48	48	3.22	81.76	3.39	85.98	0.70	17.83	0.89	22.61	2.57	65.28

HEXAGON PANEL NUT

BACKSHELLS

MIL-DTL-38999 Series III & IV

Connector Group L

D38999	/28	-11	F
SERIES	SLASH #	COUPLING	FINISH
		S: Self Lock -: Spin	F: Electroless Nickel W: Cadmium Olive Drab

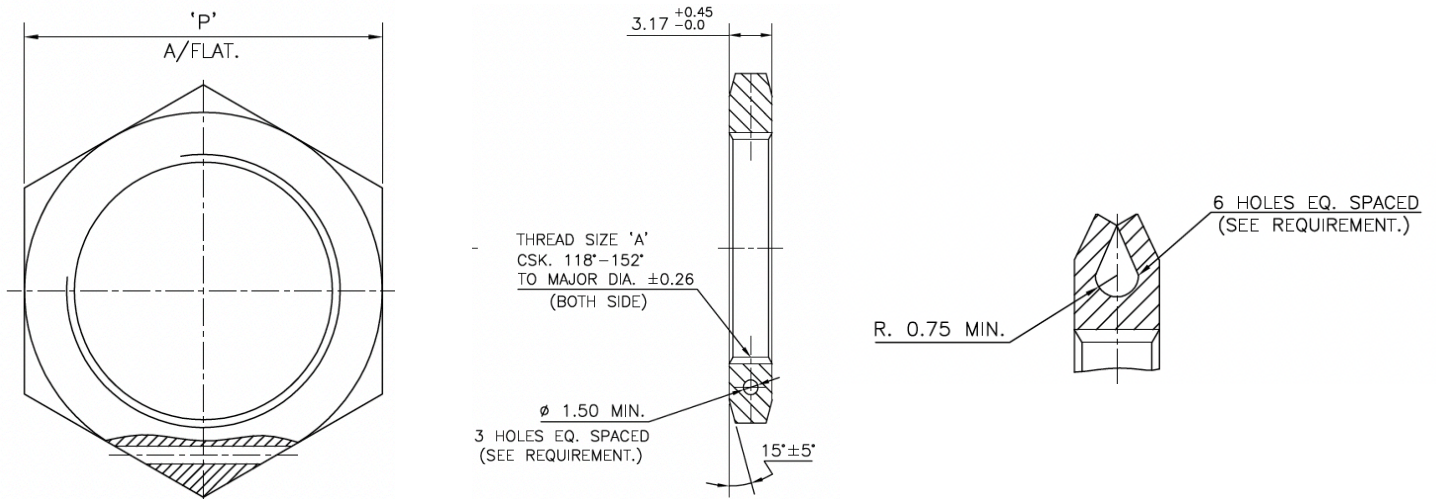


TABLE A

Accessory Shell Size	Shell Size Code		A Thread	Modify		P Hex.	
	Series III	Series IV	inch	Min.	Max.	Min.	Max.
1	09	-	M17 X 1-6H	16.04	16.15	21.82	24.0
2	11	-	M20 X 1-6H	19.07	19.15	24.99	27.0
3	13	11	M25 X 1-6H	-	-	29.77	32.0
4	15	13	M28 X 1-6H	-	-	32.91	36.0
5	-	15	M31 X 1-6H	-	-	39.26	41.0
6	17	-	M32 X 1-6H	-	-	36.12	37.0
7	-	17	M34 X 1-6H	-	-	39.25	41.0
8	19	-	M35 X 1-6H	-	-	39.25	41.0
9	21	19	M38 X 1-6H	-	-	42.47	46.0
10	23	21	M41 X 1-6H	-	-	45.61	50.0
11	25	23	M44 X 1-6H	-	-	49.25	51.23
12	-	25	M47 X 1-6H	-	-	53.54	55.0

MIL-DTL-38999 Series I & II

MS3186	A	113	W	C
SERIES	Material	DASH #	FINISH	See note 2
			A: Hard Anodized Black N: Electroless Nickel W: Cadmium Olive Drab	

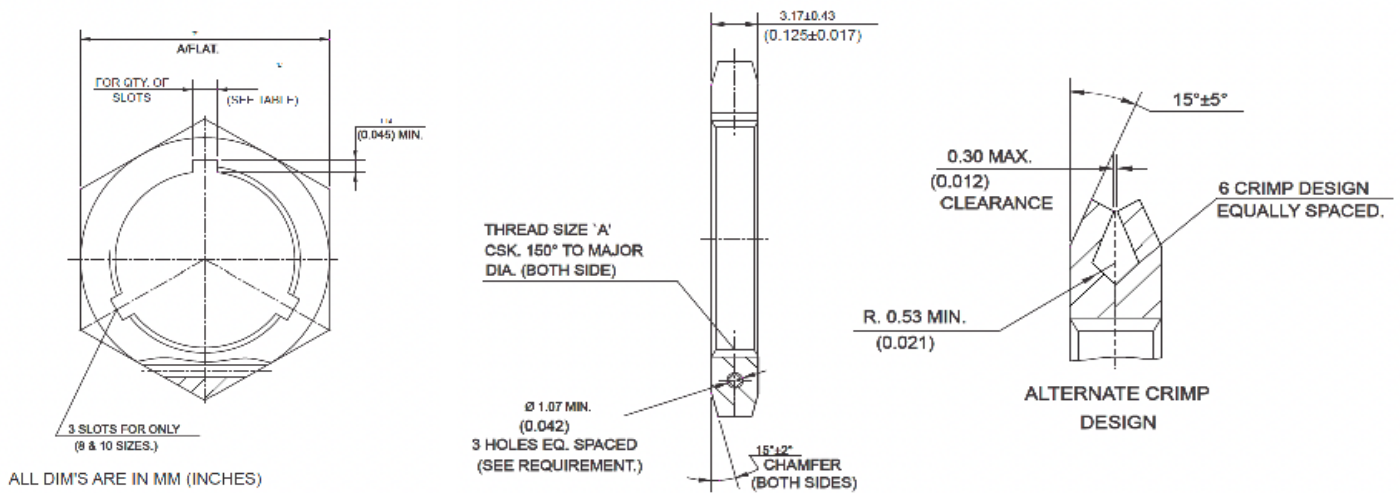


TABLE A

Dash #	MIL-DTL-26482	MIL-DTL-38999 Ser-I	MIL-DTL-26482 Ser-II	'A' Thread Size. -2B	'E' MAX.		'P' ±0.43 ±(0.017)		'S' MIN. NO. OF SLOTS
					mm	inch	mm	inch	
102	08	--	--	0.5625-24UNEF	3.43	0.135	19.05	0.750	3
106	10	09	--	0.6875-24UNEF			22.22	0.750	
108	--	11	--	0.8125-20UNEF			25.40	1.000	
109	12	--	08	0.875-20UNEF			26.97	1.062	1
111	14	13	10	1.000-20UNEF			30.17	1.188	
113	16	15	12	1.125-18UNEF			33.32	1.312	
116	18	17	14	1.250-18UNEF			36.52	1.438	
117	20	19	16	1.375-18UNEF	39.67	1.562			
120	22	21	18	1.500-18UNEF	42.87	1.688			
121	24	23	20	1.625-18UNEF	46.02	1.812			
122	--	25	22	1.750-18UNEF	50.80	2.000	1		
123	--	--	24	1.875-16UN	53.95	2.125			

STRAIGHT

Connector Group K

MIL-DTL-38999 Series I & II

M85049	30	-10	W
SERIES	SLASH #	Dash #	FINISH
	30: Straight	Table A	W: Aluminum, Cadmium Olive Drab Z: Aluminum, Zinc Nickel N: Aluminum, Electroless Nickel

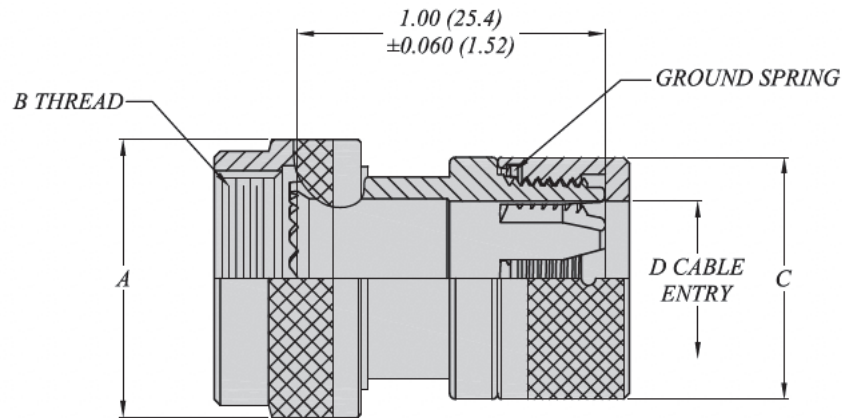


TABLE-A

DASH #	SHEL SIZE		B THREAD UNEF CLASS 2A	ØA MAX		Ø C Max.		D Min. Cable Entry	
	Series II	Series I		inch	mm	inch	mm	inch	mm
08	8	9	0.4375-28	0.75	19.05	0.55	13.97	0.250	6.35
10	10	11	0.5625-24	0.85	21.59	0.67	17.02	0.375	9.53
12	12	13	0.6875-24	1.00	25.40	0.80	20.32	0.500	12.70
14	14	15	0.8125-20	1.10	27.94	0.92	23.37	0.625	15.88
16	16	17	0.9375-20	1.25	31.75	1.05	26.67	0.750	19.05
18	18	19	1.0625-18	1.40	35.56	1.17	29.72	0.844	21.44
20	20	21	1.1875-18	1.50	38.10	1.30	33.02	0.970	24.64
22	22	23	1.3125-18	1.65	41.91	1.42	36.07	1.094	27.79
24	24	25	1.4375-18	1.75	44.45	1.67	42.42	1.219	30.96

INDIVIDUAL SHIELD TERMINATION RING

BACKSHELLS

MIL-DTL-38999 Series III & IV

Connector Group L

M85049	148	12
SERIES	SLASH #	DASH #
	148: Straight	2 3 4 5 6 7 8 9 10 11

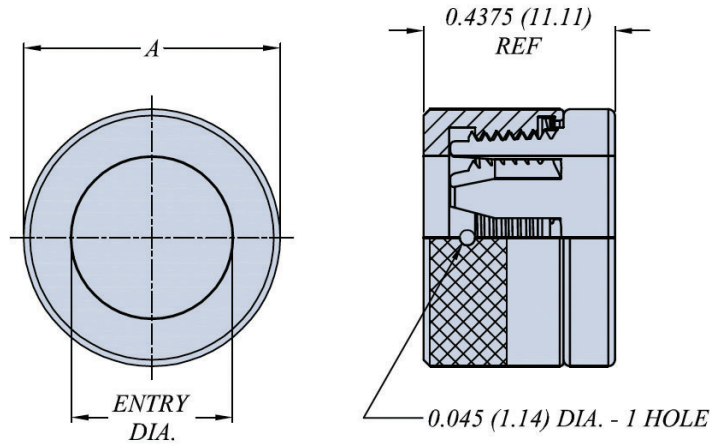


TABLE-A

DASH #	Entry Diameter		ØA Max		Number of Slots
	inch	mm	inch	mm	
2	0.250	6.35	0.545	13.84	3
3	0.375	9.53	0.670	17.02	4
4	0.500	12.70	0.795	20.19	6
5	0.625	15.88	0.920	23.37	8
6	0.750	19.05	1.045	26.54	10
7	0.875	22.23	1.170	29.72	10
8	1.000	25.40	1.295	32.89	12
9	1.125	28.58	1.420	36.07	15
10	1.250	31.75	1.687	42.85	15
11	1.375	34.93	1.812	46.02	15

NON-SELF LOCKING & SELF LOCKING, MS "V" THREAD ADAPTER BACKSHELLS

STRAIGHT

Connector Group J

MIL-DTL-26482 Series II; MIL-DTL-83723 Series III; AS50151; AS81703; AS95234

M85049	144	S	16	W	08	-6
SERIES	SLASH #	LOCK	SHELL SIZE	FINISH	ENTRY SIZE	ADAPTER BODY LENGTH
	144: Straight	S: Detented Self-Locking N: Non-Detented Self-Locking - (Dash): Non -Self-Locking	Table A	W: Aluminum, Cadmium Olive Drab N: Aluminum, Electroless Nickel Z: Aluminum, Zinc Nickel	Table B	Table C

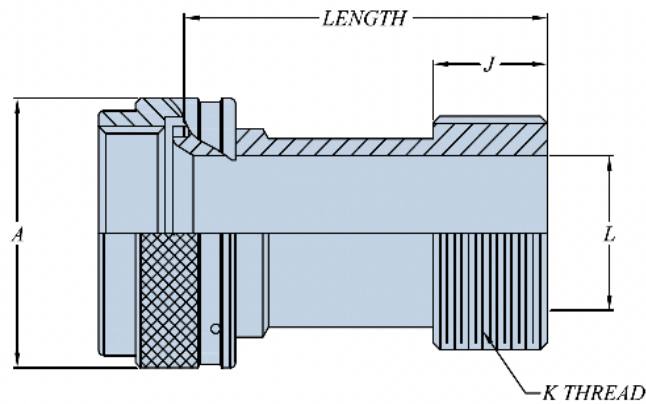


TABLE-A

SHELL SIZE	ENTRY SIZE	AS81703 SERIES III SHELL SIZE (REF)	MIL-DTL-26482 SERIES II & MIL-DTL- 83723 SERIES III SHELL SIZE (REF)	AS50151 SERIES II & III SHELL SIZE (REF)	AS95234 SHELL SIZE (REF)	ØA Max			
						Self Locking		Non Self Locking	
						inch	mm	inch	mm
03	03	3	-	-	-	0.885	22.48	0.669	16.99
08	03	-	8	8S	-	0.885	22.48	0.617	15.67
10	04	-	10	10S & 10SL	10SL	1.010	25.65	0.734	18.64
12	06	7	12	12S & 12	-	1.135	28.83	0.858	21.79
14	08	12	14	14S & 14	14S	1.260	32.00	0.984	24.99
16	10	19	16	16S & 16	16S & 16	1.385	35.18	1.112	28.24
18	12	27	18	18	18	1.510	38.35	1.218	30.94
20	12	37	20	20	20	1.635	41.53	1.345	34.16
22	16	-	22	22	22	1.760	44.70	1.468	37.29
24	16	-	24	24	24	1.885	47.88	1.593	40.46
28	24	-	-	28	28	2.135	54.23	1.969	50.01
32	28	-	-	32	32	2.395	60.83	2.219	56.36
36	28	-	-	36	36	2.635	66.93	2.469	62.71
40	32	-	-	40	-	2.885	73.28	2.719	69.06
44	32	-	-	44	-	3.135	79.63	2.969	75.41
48	40	-	-	48	-	3.385	85.98	3.219	81.76
61	16	61	-	-	-	1.885	47.88	1.653	41.99

NON-SELF LOCKING & SELF LOCKING, MS "V" THREAD ADAPTER BACKSHELLS

STRAIGHT

Connector Group J

MIL-DTL-26482 Series II; MIL-DTL-83723 Series III; AS50151; AS81703; AS95234

TABLE B CABLE ENTRY DIMENSIONS					
ENTRY SIZE	J REF		K THREAD CLASS 2A	L WIRE BUNDLE ACCOMMODATION MAX	
	inch	mm		inch	mm
03	0.44	11.18	0.500-28 UNEF	0.250	6.35
04	0.44	11.18	0.625-24 UNEF	0.312	7.92
06	0.44	11.18	0.750-20 UNEF	0.438	11.13
08	0.44	11.18	0.875-20 UNEF	0.562	14.27
10	0.44	11.18	1.000-20 UNEF	0.625	15.88
12	0.44	11.18	1.188-18 UNEF	0.750	19.05
16	0.44	11.18	1.438-18 UNEF	0.938	23.83
20	0.50	12.70	1.750-18 UNS	1.250	31.75
24	0.56	14.22	2.000-18 UNS	1.375	34.93
28	0.56	14.22	2.250-16 UN	1.625	41.28
32	0.62	15.75	2.500-16 UN	1.875	47.63
40	0.68	17.27	3.000-16 UN	2.375	60.33

TABLE-C ADAPTER BODY LENGTH		
LENGTH CODE	LENGTH ±0.031 (0.79)	
	inch	mm
-2	1.00	25.40
-3	1.50	38.10
-4	2.00	50.80
-5	2.50	63.50
-6	3.00	76.20

*-2 LENGTH OPTION NOT AVAILABLE FOR ENTRY SIZE 40

NON-SELF & SELF LOCKING, MS "V" THREAD ADAPTER BACKSHELLS

45° Connector Group J

MIL-DTL-26482 Series II; MIL-DTL-83723 Series III; AS50151; AS81703; AS95234

M85049	145	S	16	W	08
SERIES	SLASH #	LOCK	SHELL SIZE	FINISH	ENTRY SIZE
	145: 45°	S: Detented Self-Locking N: Non -Detented Self-Locking (Dash): Non -Self-Locking	Table A	W: Aluminum, Cadmium Olive Drab Z: Aluminum, Zinc Nickel N: Aluminum, Electroless Nickel	Table B

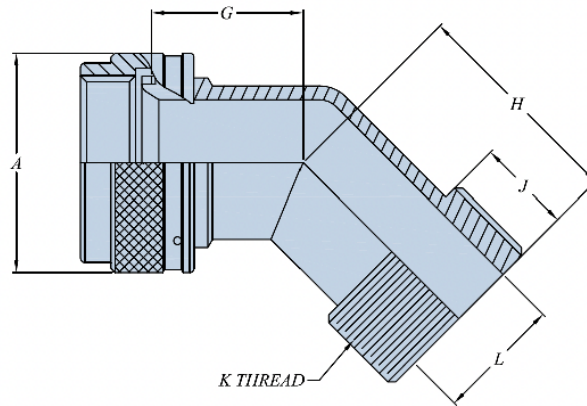


TABLE-A

SHELL SIZE	ENTRY SIZE	AS81703 SERIES III SHELL SIZE (REF)	MIL-DTL-26482 SERIES II & MILDTL-83723 SERIES III SHELL SIZE (REF)	AS50151 SERIES II & III SHELL SIZE (REF)	AS95234 SHELL SIZE (REF)	ØA Max				G Max		H Max	
						Self Locking		Non Self Locking		inch	mm	inch	mm
						inch	mm	inch	mm				
03	03	3	-	-	-	0.885	22.48	0.669	16.99	1.00	25.40	1.05	26.67
08	03	-	8	8S	-	0.885	22.48	0.617	15.67	1.00	25.40	1.05	26.67
10	04	-	10	10S & 10SL	10SL	1.010	25.65	0.734	18.64	1.02	25.91	1.07	27.18
12	06	7	12	12S & 12	-	1.135	28.83	0.858	21.79	1.05	26.67	1.10	27.94
14	08	12	14	14S & 14	14S	1.260	32.00	0.984	24.99	1.06	26.92	1.11	28.19
16	10	19	16	16S & 16	16S & 16	1.385	35.18	1.112	28.24	1.09	27.69	1.14	28.96
18	12	27	18	18	18	1.510	38.35	1.218	30.94	1.11	28.19	1.15	29.21
20	12	37	20	20	20	1.635	41.53	1.345	34.16	1.13	28.70	1.18	29.97
22	16	-	22	22	22	1.760	44.70	1.468	37.29	1.16	29.46	1.21	30.73
24	16	-	24	24	24	1.885	47.88	1.593	40.46	1.18	29.97	1.23	31.24
28	24	-	-	28	28	2.135	54.23	1.969	50.01	1.23	31.24	1.40	35.56
32	28	-	-	32	32	2.395	60.83	2.219	56.36	1.28	32.51	1.45	36.83
36	28	-	-	36	36	2.635	66.93	2.469	62.71	1.33	33.78	1.49	37.85
40	32	-	-	40	-	2.885	73.28	2.719	69.06	1.37	34.80	1.60	40.64
44	32	-	-	44	-	3.135	79.63	2.969	75.41	1.42	36.07	1.65	41.91
48	40	-	-	48	-	3.385	85.98	3.219	81.76	1.47	37.34	1.76	44.70

NON-SELF & SELF LOCKING, MS "V" THREAD ADAPTER BACKSHELLS

45° Connector Group J

MIL-DTL-26482 Series II; MIL-DTL-83723 Series III; AS50151; AS81703; ; AS95234

TABLE B CABLE ENTRY DIMENSIONS					
ENTRY SIZE	J REF		K THREAD CLASS 2A	L WIRE BUNDLE ACCOMMODATION MAX	
	inch	mm		inch	mm
03	0.44	11.18	0.500-28 UNEF	0.250	6.35
04	0.44	11.18	0.625-24 UNEF	0.312	7.92
06	0.44	11.18	0.750-20 UNEF	0.438	11.13
08	0.44	11.18	0.875-20 UNEF	0.562	14.27
10	0.44	11.18	1.000-20 UNEF	0.625	15.88
12	0.44	11.18	1.188-18 UNEF	0.750	19.05
16	0.44	11.18	1.438-18 UNEF	0.938	23.83
20	0.50	12.70	1.750-18 UNS	1.250	31.75
24	0.56	14.22	2.000-18 UNS	1.375	34.93
28	0.56	14.22	2.250-16 UN	1.625	41.28
32	0.62	15.75	2.500-16 UN	1.875	47.63
40	0.68	17.27	3.000-16 UN	2.375	60.33

NON-SELF & SELF LOCKING, MS "V" THREAD ADAPTER BACKSHELLS

90°

Connector Group J

MIL-DTL-26482 Series II; MIL-DTL-83723 Series III; AS50151; AS81703; AS95234

M85049	146	S	16	W	08
SERIES	SLASH #	LOCK	SHELL SIZE	FINISH	ENTRY SIZE
	146: 90°	S: Detented Self-Locking N: Non -Detented Self-Locking (Dash): Non -Self-Locking	Table A	W: Aluminum, Cadmium Olive Drab Z: Aluminum, Zinc Nickel N: Aluminum, Electroless Nickel	Table B

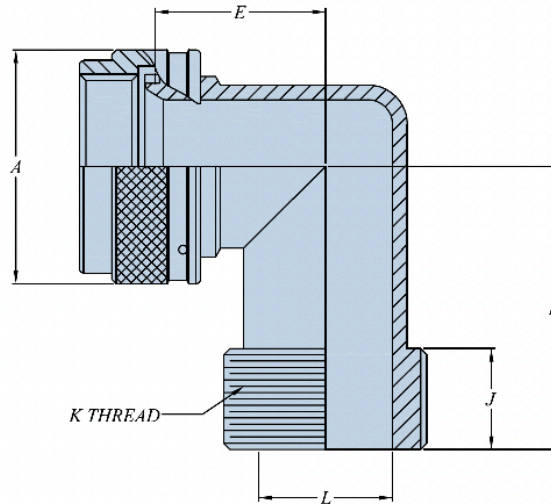


TABLE-A

SHELL SIZE	ENTRY SIZE	AS81703 SERIES III SHELL SIZE (REF)	MIL-DTL-26482 SERIES II & MILDTL-83723 SERIES III SHELL SIZE (REF)	AS50151 SERIES II & III SHELL SIZE (REF)	AS95234 SHELL SIZE (REF)	ØA Max				E Max		F Max	
						Self-Locking		Non Self-Locking		inch	mm	inch	mm
						inch	mm	inch	mm				
03	03	3	-	-	-	0.885	22.48	0.669	16.99	1.13	28.70	1.18	29.97
08	03	-	8	8S	-	0.885	22.48	0.617	15.67	1.13	28.70	1.18	29.97
10	04	-	10	10S & 10SL	10SL	1.010	25.65	0.734	18.64	1.18	29.97	1.23	31.24
12	06	7	12	12S & 12	-	1.135	28.83	0.858	21.79	1.25	31.75	1.30	33.02
14	08	12	14	14S & 14	14S	1.260	32.00	0.984	24.99	1.29	32.77	1.34	34.04
16	10	19	16	16S & 16	16S & 16	1.385	35.18	1.112	28.24	1.35	34.29	1.40	35.56
18	12	27	18	18	18	1.510	38.35	1.218	30.94	1.39	35.31	1.44	36.58
20	12	37	20	20	20	1.635	41.53	1.345	34.16	1.45	36.83	1.50	38.10
22	16	-	22	22	22	1.760	44.70	1.468	37.29	1.52	38.61	1.56	39.62
24	16	-	24	24	24	1.885	47.88	1.593	40.46	1.57	39.88	1.62	41.15
28	24	-	-	28	28	2.135	54.23	1.969	50.01	1.69	42.93	1.86	47.24
32	28	-	-	32	32	2.395	60.83	2.219	56.36	1.81	45.97	1.98	50.29
36	28	-	-	36	36	2.635	66.93	2.469	62.71	1.92	48.77	2.09	53.09
40	32	-	-	40	-	2.885	73.28	2.719	69.06	2.01	51.05	2.26	57.40
44	32	-	-	44	-	3.135	79.63	2.969	75.41	2.16	54.86	2.38	60.45
48	40	-	-	48	-	3.385	85.98	3.219	81.76	2.28	57.91	2.57	65.28
61	16	61	-	-	-	1.885	47.88	1.653	41.99	1.59	40.39	1.64	41.66

NON-SELF & SELF LOCKING, MS "V" THREAD ADAPTER BACKSHELLS

90°

Connector Group J

MIL-DTL-26482 Series II; MIL-DTL-83723 Series III; AS50151; AS81703; AS95234

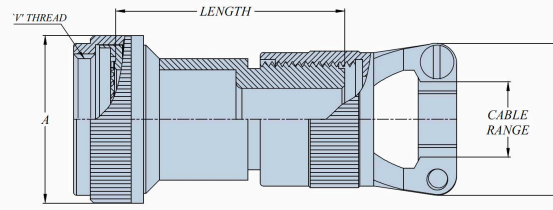
TABLE B CABLE ENTRY DIMENSIONS					
ENTRY SIZE	J REF		K THREAD CLASS 2A	L WIRE BUNDLE ACCOMMODATION MAX	
	inch	mm		inch	mm
03	0.44	11.18	0.500-28 UNEF	0.250	6.35
04	0.44	11.18	0.625-24 UNEF	0.312	7.92
06	0.44	11.18	0.750-20 UNEF	0.438	11.13
08	0.44	11.18	0.875-20 UNEF	0.562	14.27
10	0.44	11.18	1.000-20 UNEF	0.625	15.88
12	0.44	11.18	1.188-18 UNEF	0.750	19.05
16	0.44	11.18	1.438-18 UNEF	0.938	23.83
20	0.50	12.70	1.750-18 UNS	1.250	31.75
24	0.56	14.22	2.000-18 UNS	1.375	34.93
28	0.56	14.22	2.250-16 UN	1.625	41.28
32	0.62	15.75	2.500-16 UN	1.875	47.63
40	0.68	17.27	3.000-16 UN	2.375	60.33

STRAIGHT, SPIN COUPLING

Connector Group L

MIL-DTL-38999 Series III & IV

M85049	/21	11	W	02	A
SERIES	SLASH #	ACCESSORY SHELL SIZE	FINISH	CLAMP SIZE	LENGTH
	21: Straight	Table A	A: Anodized, Black N: Electroless Nickel W: Cadmium Olive Drab Z: Black Zinc Nickel	Table A	Table A Omit for "STD"



Accessory Shell Size	Clamp Size	Length	Connector Shell Size	Cable Range				A Ø Max.		B Ø Max.		Y Max.	
				Min.		Max.		inch	mm	inch	mm	inch	mm
				inch	mm	inch	mm						
9	01	STD.	9 / A	0.06	1.57	0.13	3.18	0.75	19.05	1.53	38.86	0.80	20.32
		A								2.53	64.26		
	02	STD.		0.13	3.18	0.25	6.35			1.53	38.86	1.00	25.40
		A								2.53	64.26		
11	01	STD.	11 / B	0.06	1.57	0.13	3.18	0.85	21.59	1.53	38.86	0.80	20.32
		A								2.53	64.26		
	02	STD.		0.13	3.18	0.25	6.35			1.53	38.86	1.00	25.40
		A								2.53	64.26		
	03	STD.		0.25	6.35	0.38	9.53			1.53	38.86	1.10	27.94
		A								2.53	64.26		
13	02	STD.	13 / C	0.13	3.18	0.25	6.35	1.00	25.40	1.53	38.86	1.00	25.40
		A								2.53	64.26		
	03	STD.		0.25	6.35	0.38	9.53			1.53	38.86	1.10	27.94
		A								2.53	64.26		
04	STD.	0.31	7.92	0.50	12.70	1.53	38.86	1.20	30.48				
	A					2.53	64.26						
15	02	STD.	15 / D	0.13	3.18	0.25	6.35	1.10	27.94	1.53	38.86	1.00	25.40
		A								2.53	64.26		
		B								3.53	89.66		
	03	STD.		0.25	6.35	0.38	9.53			1.53	38.86	1.10	27.94
		A								2.53	64.26		
		B								3.53	89.66		
	04	STD.		0.31	7.92	0.50	12.70			1.53	38.86	1.20	30.48
		A								2.53	64.26		
		B								3.53	89.66		
	05	STD.		0.44	11.10	0.63	15.88			1.53	38.86	1.25	31.75
		A								2.53	64.26		
		B								3.53	89.66		
17	02	STD.	17 / E	0.13	3.18	0.25	6.35	1.25	31.75	1.53	38.86	1.00	25.40
		A								2.53	64.26		
		B								3.53	89.66		
	03	STD.		0.25	6.35	0.38	9.53			1.53	38.86	1.10	27.94
		A								2.53	64.26		
		B								3.53	89.66		
	04	STD.		0.31	7.92	0.50	12.70			1.53	38.86	1.20	30.48
		A								2.53	64.26		
		B								3.53	89.66		

STRAIGHT, SPIN COUPLING

Connector Group L

38999 Series III & Series IV

TABLE A																	
Accessory Shell Size	Clamp Size	Length	Connector Shell Size	Cable Range				A Ø Max.		B Ø Max.		Y Max.					
				Min.		Max.		inch	mm	inch	mm	inch	mm				
				inch	mm	inch	mm										
17, cont.	05	STD.	17/E	0.44	11.10	0.63	15.88	1.25	31.75	1.53	38.86	1.25	31.75				
		A								2.53	64.26						
		B								3.53	89.66						
	06	STD.		0.56	14.27	0.75	19.05			1.53	38.86	1.40	35.56				
		A								2.53	64.26						
		B								3.53	89.66						
19	03	STD.	19 / F	0.25	6.35	0.38	9.53	1.40	35.56	1.53	38.86	1.10	27.94				
		A								2.53	64.26						
		B								3.53	89.66						
	04	STD.		0.31	7.92	0.50	12.70			1.53	38.86	1.20	30.48				
		A								2.53	64.26						
		B								3.53	89.66						
	05	STD.		0.44	11.10	0.63	15.88			1.53	38.86	1.25	31.75				
		A								2.53	64.26						
		B								3.53	89.66						
	06	STD.		0.56	14.27	0.75	19.05			1.53	38.86	1.40	35.56				
		A								2.53	64.26						
		B								3.53	89.66						
	07	STD.		0.69	17.45	0.88	22.23			1.53	38.86	1.50	38.10				
		A								2.53	64.26						
		B								3.53	89.66						
	21	03		STD.	21 / G	0.25	6.35			0.38	9.53	1.50	38.10	1.53	38.86	1.10	27.94
				A										2.53	64.26		
				B										3.53	89.66		
		04		STD.		0.31	7.92			0.50	12.70			1.53	38.86	1.20	30.48
				A										2.53	64.26		
				B										3.53	89.66		
		05		STD.		0.44	11.10			0.63	15.88			1.53	38.86	1.25	31.75
				A										2.53	64.26		
				B										3.53	89.66		
06		STD.	0.56	14.27		0.75	19.05	1.53	38.86	1.40	35.56						
		A						2.53	64.26								
		B						3.53	89.66								
07		STD.	0.69	17.45		0.88	22.23	1.53	38.86	1.50	38.10						
		A						2.53	64.26								
		B						3.53	89.66								
08		STD.	0.81	20.62		1.00	25.40	1.53	38.86	1.65	41.91						
		A						2.53	64.26								
		B						3.53	89.66								
23		03	STD.	23 / H		0.25	6.35	0.38	9.53	1.65	41.91			1.53	38.86	1.10	27.94
			A											2.53	64.26		
			B											3.53	89.66		
			C											4.53	115.06		
			C											4.53	115.06		
			C											4.53	115.06		

STRAIGHT, SPIN COUPLING

Connector Group L

38999 Series III & Series IV

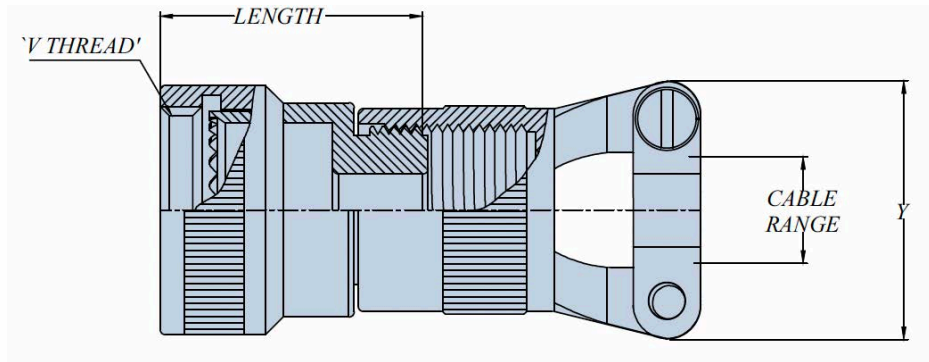
TABLE A													
Accessory Shell Size	Clamp Size	Length	Connector Shell Size	Cable Range				A Ø Max.		B Ø Max.		Y Max.	
				Min.		Max.		inch	mm	inch	mm	inch	mm
				inch	mm	inch	mm						
23, cont.	04	STD.	23 / H	0.31	7.92	0.50	12.70	1.65	41.91	1.53	38.86	1.20	30.48
		A								2.53	64.26		
		B								3.53	89.66		
		C								4.53	115.06		
	05	STD.		0.44	11.10	0.63	15.88			1.53	38.86	1.25	31.75
		A								2.53	64.26		
		B								3.53	89.66		
		C								4.53	115.06		
	06	STD.		0.56	14.27	0.75	19.05			1.53	38.86	1.40	35.56
		A								2.53	64.26		
		B								3.53	89.66		
		C								4.53	115.06		
	07	STD.		0.69	17.45	0.88	22.23			1.53	38.86	1.50	38.10
		A								2.53	64.26		
		B								3.53	89.66		
		C								4.53	115.06		
	08	STD.		0.81	20.62	1.00	25.40			1.53	38.86	1.65	41.91
		A								2.53	64.26		
		B								3.53	89.66		
		C								4.53	115.06		
	09	STD.		0.94	23.80	1.13	28.58			1.53	38.86	1.75	44.45
		A								2.53	64.26		
		B								3.53	89.66		
		C								4.53	115.06		
25	04	STD.	25 / J	0.31	7.92	0.50	12.70	1.75	44.45	1.53	38.86	1.20	30.48
		A								2.53	64.26		
		B								3.53	89.66		
		C								4.53	115.06		
	05	STD.		0.44	11.10	0.63	15.88			1.53	38.86	1.25	31.75
		A								2.53	64.26		
		B								3.53	89.66		
		C								4.53	115.06		
	06	STD.		0.56	14.27	0.75	19.05			1.53	38.86	1.40	35.56
		A								2.53	64.26		
		B								3.53	89.66		
		C								4.53	115.06		
	07	STD.		0.69	17.45	0.88	22.23			1.53	38.86	1.50	38.10
		A								2.53	64.26		
		B								3.53	89.66		
		C								4.53	115.06		
	08	STD.		0.81	20.62	1.00	25.40			1.53	38.86	1.65	41.91
		A								2.53	64.26		
		B								3.53	89.66		
		C								4.53	115.06		
	09	STD.		0.94	23.80	1.13	28.58			1.53	38.86	1.75	44.45
		A								2.53	64.26		
		B								3.53	89.66		
		C								4.53	115.06		
10	STD.	1.06	26.97	1.25	31.75	1.53	38.86	1.90	48.26				
	A					2.53	64.26						
	B					3.53	89.66						
	C					4.53	115.06						

STRAIGHT, DIRECT COUPLING

Connector Group K

MIL-DTL-38999 Series I & II

M85049	/29	10	W	03	A
SERIES	SLASH #	ACCESSORY SHELL SIZE	FINISH	CLAMP SIZE	LENGTH
	29: Straight	Table A	A: Anodized, Black N: Electroless Nickel W: Cadmium Olive Drab Z: Black Zinc Nickel	Table A	Table A Omit for "STD"



Accessory Shell Size	Clamp Size	Length	Connector Shell Size	Cable Range				L Max.		Y Max.		
				Min.		Max.		inch	mm	inch	mm	
				inch	mm	inch	mm					
08	01	STD.	8 / 9	0.06	1.57	0.13	3.18	1.03	26.16	0.78	19.81	
		A						2.03	51.56			
	02	STD.		0.13	3.18	0.25	6.35	1.03	26.16	0.97	24.64	
		A						2.03	51.56			
10	01	STD.		10 / 11	0.06	1.57	0.13	3.18	1.03	26.16	0.78	19.81
		A							2.03	51.56		
	02	STD.			0.13	3.18	0.25	6.35	1.03	26.16	0.97	24.64
		A							2.03	51.56		
	03	STD.	0.25		6.35	0.38	9.53	1.03	26.16	1.06	26.92	
		A						2.03	51.56			
12	02	STD.	12 / 13		0.13	3.18	0.25	6.35	1.03	26.16	0.97	24.64
		A							2.03	51.56		
	03	STD.			0.25	6.35	0.38	9.53	1.03	26.16	1.06	26.92
		A							2.03	51.56		
	04	STD.			0.31	7.92	0.50	12.70	1.03	26.16	1.16	29.46
		A							2.03	51.56		
14	02	STD.	14 / 15	0.13	3.18	0.25	6.35	1.03	26.16	0.97	24.64	
		A						2.03	51.56			
		B						3.03	76.96			
		B						1.03	26.16			
	03	STD.		0.25	6.35	0.38	9.53	2.03	51.56	1.06	26.92	
		A						3.03	76.96			
		B						1.03	26.16			
		B						3.03	76.96			
	04	STD.		0.31	7.92	0.50	12.70	2.03	51.56	1.16	29.46	
		A						3.03	76.96			
		B						1.03	26.16			
		B						3.03	76.96			
05	STD.	0.44	11.10	0.63	15.88	1.03	26.16	1.25	31.75			
	A					2.03	51.56					
	B					3.03	76.96					
	B					1.03	26.16					

STRAIGHT, DIRECT COUPLING

Connector Group K

MIL-DTL-38999 Series I & II

TABLE A											
Accessory Shell Size	Clamp Size	Length	Connector Shell Size	Cable Range				L Max.		Y Max.	
				Min.		Max.		inch	mm	inch	mm
				inch	mm	inch	mm				
16	02	STD.	16 / 17	0.13	3.18	0.25	6.35	1.03	26.16	0.97	24.64
		A						2.03	51.56		
		B						3.03	76.96		
	03	STD.		0.25	6.35	0.38	9.53	1.03	26.16	1.06	26.92
		A						2.03	51.56		
		B						3.03	76.96		
	04	STD.		0.31	7.92	0.50	12.70	1.03	26.16	1.16	29.46
		A						2.03	51.56		
		B						3.03	76.96		
	05	STD.		0.44	11.10	0.63	15.88	1.03	26.16	1.25	31.75
		A						2.03	51.56		
		B						3.03	76.96		
06	STD.	0.56	14.27	0.75	19.05	1.03	26.16	1.38	35.05		
	A					2.03	51.56				
	B					3.03	76.96				
18	03	STD.	18 / 19	0.25	6.35	0.38	9.53	1.03	26.16	1.06	26.92
		A						2.03	51.56		
		B						3.03	76.96		
	04	STD.		0.31	7.92	0.50	12.70	1.03	26.16	1.16	29.46
		A						2.03	51.56		
		B						3.03	76.96		
	05	STD.		0.44	11.10	0.63	15.88	1.03	26.16	1.25	31.75
		A						2.03	51.56		
		B						3.03	76.96		
	06	STD.		0.56	14.27	0.75	19.05	1.03	26.16	1.38	35.05
		A						2.03	51.56		
		B						3.03	76.96		
07	STD.	0.69	17.45	0.88	22.23	1.03	26.16	1.50	38.10		
	A					2.03	51.56				
	B					3.03	76.96				
20	03	STD.	20 / 21	0.25	6.35	0.38	9.53	1.03	26.16	1.06	26.92
		A						2.03	51.56		
		B						3.03	76.96		
		C						4.03	102.36		
	04	STD.		0.31	7.92	0.50	12.70	1.03	26.16	1.16	29.46
		A						2.03	51.56		
		B						3.03	76.96		
		C						4.03	102.36		
	05	STD.		0.44	11.10	0.63	15.88	1.03	26.16	1.25	31.75
		A						2.03	51.56		
		B						3.03	76.96		
		C						4.03	102.36		
	06	STD.		0.56	14.27	0.75	19.05	1.03	26.16	1.38	35.05
		A						2.03	51.56		
		B						3.03	76.96		
		C						4.03	102.36		
	07	STD.		0.69	17.45	0.88	22.23	1.03	26.16	1.50	38.10
		A						2.03	51.56		
B		3.03	76.96								
C		4.03	102.36								
08	STD.	0.81	20.62	1.00	25.40	1.03	26.16	1.63	41.40		
	A					2.03	51.56				
	B					3.03	76.96				
	C					4.03	102.36				

STRAIGHT, DIRECT COUPLING

Connector Group K

MIL-DTL-38999 Series I & II

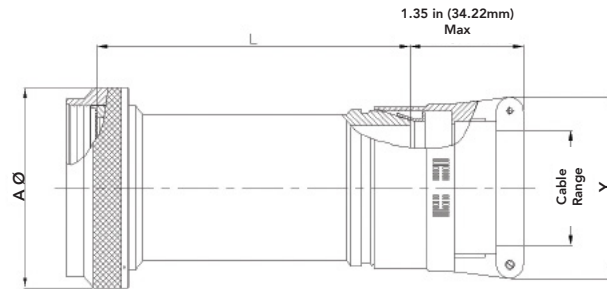
TABLE A											
Accessory Shell Size	Clamp Size	Length	Connector Shell Size	Cable Range				L Max.		Y Max.	
				Min.		Max.		inch	mm	inch	mm
				inch	mm	inch	mm				
22	03	STD.	22 / 23	0.25	6.35	0.38	9.53	1.03	26.16	1.06	26.92
		A						2.03	51.56		
		B						3.03	76.96		
		C						4.03	102.36		
	04	STD.		0.31	7.92	0.50	12.70	1.03	26.16	1.16	29.46
		A						2.03	51.56		
		B						3.03	76.96		
		C						4.03	102.36		
	05	STD.		0.44	11.10	0.63	15.88	1.03	26.16	1.25	31.75
		A						2.03	51.56		
		B						3.03	76.96		
		C						4.03	102.36		
	06	STD.		0.56	14.27	0.75	19.05	1.03	26.16	1.38	35.05
		A						2.03	51.56		
		B						3.03	76.96		
		C						4.03	102.36		
	07	STD.		0.69	17.45	0.88	22.23	1.03	26.16	1.50	38.10
		A						2.03	51.56		
		B						3.03	76.96		
		C						4.03	102.36		
	08	STD.		0.81	20.62	1.00	25.40	1.03	26.16	1.63	41.40
		A						2.03	51.56		
		B						3.03	76.96		
		C						4.03	102.36		
	09	STD.		0.94	23.80	1.13	28.58	1.03	26.16	1.75	44.45
		A						2.03	51.56		
		B						3.03	76.96		
		C						4.03	102.36		
24	04	STD.	24 / 25	0.31	7.92	0.50	12.70	1.03	26.16	1.16	29.46
		A						2.03	51.56		
		B						3.03	76.96		
		C						4.03	102.36		
	05	STD.		0.44	11.10	0.63	15.88	1.03	26.16	1.25	31.75
		A						2.03	51.56		
		B						3.03	76.96		
		C						4.03	102.36		
	06	STD.		0.56	14.27	0.75	19.05	1.03	26.16	1.38	35.05
		A						2.03	51.56		
		B						3.03	76.96		
		C						4.03	102.36		
	07	STD.		0.69	17.45	0.88	22.23	1.03	26.16	1.50	38.10
		A						2.03	51.56		
		B						3.03	76.96		
		C						4.03	102.36		
	08	STD.		0.81	20.62	1.00	25.40	1.03	26.16	1.63	41.40
		A						2.03	51.56		
		B						3.03	76.96		
		C						4.03	102.36		
	09	STD.		0.94	23.80	1.13	28.58	1.03	26.16	1.75	44.45
		A						2.03	51.56		
		B						3.03	76.96		
		C						4.03	102.36		
	10	STD.		1.06	26.97	1.25	31.75	1.03	26.16	1.88	47.75
		A						2.03	51.56		
		B						3.03	76.96		
		C						4.03	102.36		

STRAIGHT; SPIN COUPLING

Connector Group L

MIL-DTL-38999 Series III & IV

M85049	/19	11	W	03	A
SERIES	SLASH #	ACCESSORY SHELL SIZE	FINISH	CLAMP SIZE	LENGTH
	19: Straight	Table A	N: Electroless Nickel W: Cadmium Olive Drab Z: Black Zinc Nickel	Table A	Table A Omit For "STD"



Accessory Shell Size	Clamp Size	Length	Connector Shell Size	Cable Range				A Ø Max.		L Max.		Y Max.	
				Min.		Max.		inch	mm	inch	mm	inch	mm
				inch	mm	inch	mm						
9	01	STD.	9 / A	0.06	1.57	0.13	3.18	0.75	19.05	1.53	38.86	0.80	20.32
		A								2.53	64.26		
	02	STD.		0.13	3.18	0.25	6.35			1.53	38.86	1.00	25.40
		A								2.53	64.26		
11	01	STD.	11 / B	0.06	1.57	0.13	3.18	0.85	21.59	1.53	38.86	0.80	20.32
		A								2.53	64.26		
	02	STD.		0.13	3.18	0.25	6.35			1.53	38.86	1.00	25.40
		A								2.53	64.26		
	03	STD.		0.25	6.35	0.38	9.53			1.53	38.86	1.10	27.94
		A								2.53	64.26		
13	02	STD.	13 / C	0.13	3.18	0.25	6.35	1.00	25.40	1.53	38.86	1.00	25.40
		A								2.53	64.26		
	03	STD.		0.25	6.35	0.38	9.53			1.53	38.86	1.10	27.94
		A								2.53	64.26		
	04	STD.		0.31	7.92	0.50	12.70			1.53	38.86	1.20	30.48
		A								2.53	64.26		
15	02	STD.	15 / D	0.13	3.18	0.25	6.35	1.10	27.94	1.53	38.86	1.00	25.40
		A								2.53	64.26		
		B								3.53	89.66		
	03	STD.		0.25	6.35	0.38	9.53			1.53	38.86	1.10	27.94
		A								2.53	64.26		
		B								3.53	89.66		
	04	STD.		0.31	7.92	0.50	12.70			1.53	38.86	1.20	30.48
		A								2.53	64.26		
		B								3.53	89.66		
	05	STD.		0.44	11.10	0.63	15.88			1.53	38.86	1.25	31.75
		A								2.53	64.26		
		B								3.53	89.66		

STRAIGHT; SPIN COUPLING

Connector Group L

MIL-DTL-38999 Series III & IV

TABLE A																	
Accessory Shell Size	Clamp Size	Length	Connector Shell Size	Cable Range				A Ø Max.		L Max.		Y Max.					
				Min.		Max.		inch	mm	inch	mm	inch	mm				
				inch	mm	inch	mm										
17	02	STD.	17 / E	0.13	3.18	0.25	6.35	1.25	31.75	1.53	38.86	1.00	25.40				
		A								2.53	64.26						
		B								3.53	89.66						
	03	STD.		0.25	6.35	0.38	9.53			1.53	38.86	1.10	27.94				
		A								2.53	64.26						
		B								3.53	89.66						
	04	STD.		0.31	7.92	0.50	12.70			1.53	38.86	1.20	30.48				
		A								2.53	64.26						
		B								3.53	89.66						
	05	STD.		0.44	11.10	0.63	15.88			1.53	38.86	1.25	31.75				
		A								2.53	64.26						
		B								3.53	89.66						
	06	STD.		0.56	14.27	0.75	19.05			1.53	38.86	1.40	35.56				
		A								2.53	64.26						
		B								3.53	89.66						
	19	03		STD.	19 / F	0.25	6.35			0.38	9.53	1.40	35.56	1.53	38.86	1.10	27.94
				A										2.53	64.26		
				B										3.53	89.66		
04		STD.	0.31	7.92		0.50	12.70	1.53	38.86	1.20	30.48						
		A						2.53	64.26								
		B						3.53	89.66								
05		STD.	0.44	11.10		0.63	15.88	1.53	38.86	1.25	31.75						
		A						2.53	64.26								
		B						3.53	89.66								
06		STD.	0.56	14.27		0.75	19.05	1.53	38.86	1.40	35.56						
		A						2.53	64.26								
		B						3.53	89.66								
07		STD.	0.69	17.45		0.88	22.23	1.53	38.86	1.50	38.10						
		A						2.53	64.26								
		B						3.53	89.66								
21		03	STD.	21 / G		0.25	6.35	0.38	9.53	1.50	38.10			1.53	38.86	1.10	27.94
			A											2.53	64.26		
			B											3.53	89.66		
	C		4.53		115.06												
	04	STD.	0.31		7.92	0.50	12.70	1.53	38.86			1.20	30.48				
		A						2.53	64.26								
		B						3.53	89.66								
		C						4.53	115.06								
	05	STD.	0.44		11.10	0.63	15.88	1.53	38.86			1.25	31.75				
		A						2.53	64.26								
		B						3.53	89.66								
		C						4.53	115.06								
	06	STD.	0.56		14.27	0.75	19.05	1.53	38.86			1.40	35.56				
		A						2.53	64.26								
		B						3.53	89.66								
		C						4.53	115.06								
	07	STD.	0.69		17.45	0.88	22.23	1.53	38.86			1.50	38.10				
		A						2.53	64.26								
		B						3.53	89.66								
		C						4.53	115.06								
	08	STD.	0.81		20.62	1.00	25.40	1.53	38.86			1.65	41.91				
		A						2.53	64.26								
		B						3.53	89.66								
		C						4.53	115.06								

STRAIGHT; SPIN COUPLING

Connector Group L

MIL-DTL-38999 Series III & IV

TABLE A													
Accessory Shell Size	Clamp Size	Length	Connector Shell Size	Cable Range				A Ø Max.		L Max.		Y Max.	
				Min.		Max.		inch	mm	inch	mm	inch	mm
				inch	mm	inch	mm						
23	03	STD.	23 / H	0.25	6.35	0.38	9.53	1.65	41.91	1.53	38.86	1.10	27.94
		A								2.53	64.26		
		B								3.53	89.66		
		C								4.53	115.06		
	04	STD.		0.31	7.92	0.50	12.70			1.53	38.86	1.20	30.48
		A								2.53	64.26		
		B								3.53	89.66		
		C								4.53	115.06		
	05	STD.		0.44	11.10	0.63	15.88			1.53	38.86	1.25	31.75
		A								2.53	64.26		
		B								3.53	89.66		
		C								4.53	115.06		
	06	STD.		0.56	14.27	0.75	19.05			1.53	38.86	1.40	35.56
		A								2.53	64.26		
		B								3.53	89.66		
		C								4.53	115.06		
	07	STD.		0.69	17.45	0.88	22.23			1.53	38.86	1.50	38.10
		A								2.53	64.26		
		B								3.53	89.66		
		C								4.53	115.06		
	08	STD.		0.81	20.62	1.00	25.40			1.53	38.86	1.65	41.91
		A								2.53	64.26		
		B								3.53	89.66		
		C								4.53	115.06		
	09	STD.		0.94	23.80	1.13	28.58			1.53	38.86	1.75	44.45
		A								2.53	64.26		
		B								3.53	89.66		
		C								4.53	115.06		
25	04	STD.	25 / J	0.31	7.92	0.50	12.70	1.75	44.45	1.53	38.86	1.20	30.48
		A								2.53	64.26		
		B								3.53	89.66		
		C								4.53	115.06		
	05	STD.		0.44	11.10	0.63	15.88			1.53	38.86	1.25	31.75
		A								2.53	64.26		
		B								3.53	89.66		
		C								4.53	115.06		
	06	STD.		0.56	14.27	0.75	19.05			1.53	38.86	1.40	35.56
		A								2.53	64.26		
		B								3.53	89.66		
		C								4.53	115.06		
	07	STD.		0.69	17.45	0.88	22.23			1.53	38.86	1.50	38.10
		A								2.53	64.26		
		B								3.53	89.66		
		C								4.53	115.06		
	08	STD.		0.81	20.62	1.00	25.40			1.53	38.86	1.65	41.91
		A								2.53	64.26		
		B								3.53	89.66		
		C								4.53	115.06		
	09	STD.		0.94	23.80	1.13	28.58			1.53	38.86	1.75	44.45
		A								2.53	64.26		
		B								3.53	89.66		
		C								4.53	115.06		
	10	STD.		1.06	26.97	1.25	31.75			1.53	38.86	1.90	48.26
		A								2.53	64.26		
		B								3.53	89.66		
		C								4.53	115.06		

90° & 45°; SPIN COUPLING

Connector Group J

MIL-DTL-26482 Series II; MIL-DTL-83723 Series III; AS50151; AS81703

M85049	/23	-10	W
SERIES	SLASH #	DASH #	FINISH
	23 :45° 24: 90	Table A	N: Electroless Nickel W: Cadmium Olive Drab Z: Black Zinc Nickel

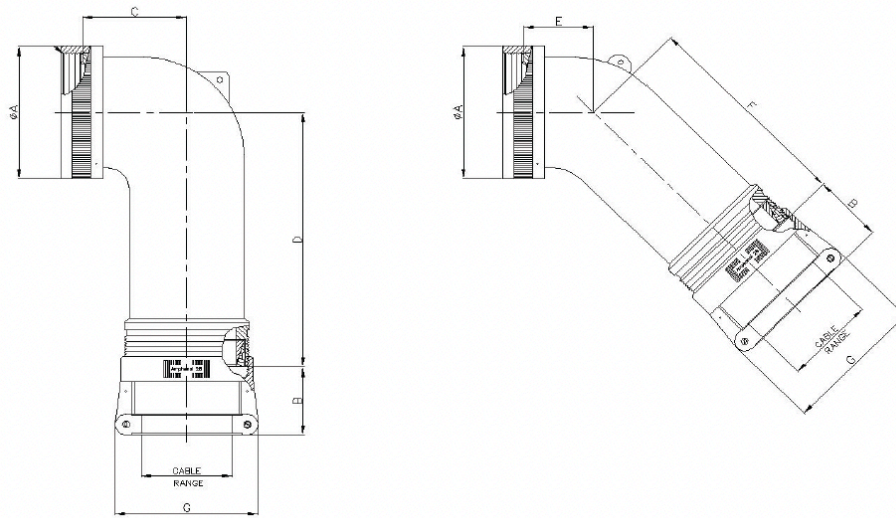


TABLE A

Accessory Shell Size	DASH #	Connector Shell Size	A Ø Max.		B Ref.		C Max.		D Max.		E Max.		F Max.		G Max.		Cable Range			
			inch	mm	inch	mm	inch	mm	inch	mm	inch	mm	inch	mm	inch	mm	inch	mm	inch	mm
8	3	8	0.62	15.67	1.03	26.09	0.67	17.02	1.26	32.00	0.63	16.00	1.25	31.75	0.96	24.31	0.13	3.18	0.25	6.35
10	4	10	0.73	18.64	1.03	26.09	0.76	19.30	1.98	50.29	0.69	17.53	1.92	48.77	0.96	24.31	0.13	3.18	0.31	7.92
	49		0.73	18.64	1.03	26.09	1.52	38.61	2.00	50.80	1.50	38.10	1.98	50.29	1.15	29.08	0.25	6.35	0.44	11.10
	5		0.73	18.64	1.03	26.09	0.76	19.30	1.38	35.05	0.69	17.53	1.31	33.27	1.15	29.08	0.25	6.35	0.38	9.53
12	6	7/12	0.86	21.79	1.03	26.09	0.77	19.56	2.00	50.80	0.75	19.05	1.98	50.29	0.96	24.31	0.13	3.18	0.31	7.92
	71		0.86	21.79	1.03	26.09	1.81	45.97	2.16	54.86	1.65	41.91	2.18	55.37	1.33	33.83	0.35	8.89	0.63	15.88
	7		0.86	21.79	1.03	26.09	0.77	19.56	2.00	50.80	0.75	19.05	1.98	50.29	1.15	29.08	0.25	6.35	0.44	11.10
	8		0.86	21.79	1.03	26.09	0.77	19.56	1.40	35.56	0.75	19.05	1.98	50.29	1.33	33.83	0.35	8.89	0.50	12.70
14	9	12/14	0.98	24.99	1.03	26.09	0.87	22.10	2.07	52.58	0.81	20.57	2.07	52.58	1.15	29.08	0.25	6.35	0.44	11.10
	10		0.98	24.99	1.03	26.09	0.87	22.10	1.72	43.69	0.81	20.57	1.72	43.69	1.33	33.83	0.35	8.89	0.58	14.61
	50		0.98	24.99	1.06	26.09	1.89	48.01	2.33	59.18	1.84	46.74	2.37	60.20	1.55	39.40	0.50	12.70	0.75	19.05
	74		0.98	24.99	1.03	26.09	0.87	22.10	2.07	52.58	0.81	20.57	2.07	52.58	0.96	24.31	0.13	3.18	0.31	7.92
16	11	19/16	1.11	28.24	1.03	26.09	1.05	26.67	2.16	54.86	0.91	23.11	2.18	55.37	1.15	29.08	0.25	6.35	0.44	11.10
	12		1.11	28.24	1.06	26.90	1.05	26.67	1.81	45.97	0.91	23.11	1.82	46.23	1.55	39.40	0.50	12.70	0.70	17.78
	40		1.11	28.24	1.03	26.09	1.05	26.67	2.16	54.86	0.91	23.11	2.18	55.37	1.33	33.83	0.35	8.89	0.63	15.88
	51		1.11	28.24	1.16	29.36	2.04	51.82	2.44	61.98	1.94	49.28	2.52	64.01	1.77	44.96	0.63	15.88	0.94	23.80
	75		1.11	28.24	1.03	26.09	1.05	26.67	2.16	54.86	0.91	23.11	2.18	55.37	0.96	24.31	0.13	3.18	0.31	7.92

90° & 45°; SPIN COUPLING

Connector Group J

MIL-DTL-26482 Series II; MIL-DTL-83723 Series III; AS50151; AS81703

TABLE A																				
Accessory Shell Size	DASH #	Connector Shell Size	A Ø Max.		B Ref.		C Max.		D Max.		E Max.		F Max.		G Max.		Cable Range			
																	Min.		Max.	
			inch	mm	inch	mm	inch	mm	inch	mm	inch	mm	inch	mm	inch	mm	inch	mm	inch	mm
18	13	27/18	1.22	30.94	1.03	26.09	1.14	28.96	2.33	59.18	1.09	27.69	2.37	60.20	1.33	33.83	0.35	8.89	0.63	15.88
	14		1.22	30.94	1.16	29.36	1.14	28.96	1.98	50.29	1.09	27.69	2.00	50.80	1.77	44.96	0.63	15.88	0.78	19.79
	41		1.22	30.94	1.03	26.09	1.14	28.96	2.33	59.18	1.09	27.69	2.37	60.20	0.96	24.31	0.13	3.18	0.31	7.92
	42		1.22	30.94	1.03	26.09	1.14	28.96	2.33	59.18	1.09	27.69	2.37	60.20	1.15	29.8	0.25	6.35	0.44	11.10
	52		1.22	30.94	1.06	26.90	1.14	28.96	2.33	59.18	1.09	27.69	2.37	60.20	1.55	39.40	0.50	12.70	0.75	19.05
20	72	37/20	1.22	30.94	1.16	29.36	2.05	52.07	2.44	61.98	1.94	49.28	2.52	64.01	1.77	44.96	0.63	15.88	0.94	23.80
	15		1.35	34.16	1.03	26.09	1.14	28.96	2.33	59.18	1.09	27.69	2.37	60.20	1.33	33.83	0.35	8.89	0.63	15.88
	16		1.35	34.16	1.16	29.36	1.14	28.96	1.98	50.29	1.09	27.69	2.00	50.80	1.77	44.96	0.63	15.88	0.90	22.96
	43		1.35	34.16	1.03	26.09	1.14	28.96	2.33	59.18	1.09	27.69	2.37	60.20	1.15	29.8	0.25	6.35	0.44	11.10
	54		1.35	34.16	1.06	26.90	1.14	28.96	2.33	59.18	1.09	27.69	2.37	60.20	1.55	39.40	0.50	12.70	0.75	19.05
22	55	22	1.35	34.16	1.38	34.93	2.14	54.36	2.61	66.29	2.06	52.32	2.57	65.28	2.11	53.67	0.88	22.23	1.25	31.75
	17		1.47	37.29	1.06	26.90	1.29	32.77	2.44	61.98	1.19	30.23	2.52	64.01	1.55	39.40	0.50	12.70	0.75	19.05
	18		1.47	37.29	1.38	34.93	1.29	32.77	2.09	53.9	1.19	30.23	2.16	54.86	2.11	53.67	0.88	22.23	1.03	26.14
	44		1.47	37.29	1.03	26.09	1.29	32.77	2.44	61.98	1.19	30.23	2.52	64.01	0.96	24.31	0.13	3.18	0.31	7.92
	45		1.47	37.29	1.03	26.09	1.29	32.77	2.44	61.98	1.19	30.23	2.52	64.01	1.15	29.8	0.25	6.35	0.44	11.10
	56		1.47	37.29	1.03	26.09	1.29	32.77	2.44	61.98	1.19	30.23	2.52	64.01	1.33	33.83	0.35	8.89	0.63	15.88
	57		1.47	37.29	1.16	29.36	1.29	32.77	2.44	61.98	1.19	30.23	2.52	64.01	1.77	44.96	0.63	15.88	0.94	23.80
24	58	24	1.47	37.29	1.38	34.93	2.14	54.36	2.61	66.29	2.06	52.32	2.57	65.28	2.11	53.67	0.88	22.23	1.25	31.75
	19		1.59	40.46	1.06	26.90	1.29	32.77	2.44	61.98	1.19	30.23	2.52	64.01	1.55	39.40	0.50	12.70	0.75	19.05
	20		1.59	40.46	1.38	34.93	1.29	32.77	2.09	53.9	1.19	30.23	2.16	54.86	2.11	53.67	0.88	22.23	1.14	29.06
	46		1.59	40.46	1.03	26.09	1.29	32.77	2.44	61.98	1.19	30.23	2.52	64.01	1.33	33.83	0.35	8.89	0.63	15.88
	59		1.59	40.46	1.16	29.36	1.29	32.77	2.44	61.98	1.19	30.23	2.52	64.01	1.77	44.96	0.63	15.88	0.94	23.80
28	73	28	1.59	40.46	1.38	34.93	2.15	54.61	2.61	66.29	2.06	52.32	2.57	65.28	2.12	53.75	0.88	22.23	1.25	31.75
	21		1.97	50.01	1.16	29.36	1.39	35.31	2.61	66.29	1.31	33.27	2.57	65.28	1.77	44.96	0.63	15.88	0.94	23.80
	22		1.97	50.01	1.50	38.10	1.39	35.31	2.26	57.40	1.31	33.27	2.22	56.39	2.36	60.02	1.00	25.40	1.38	34.93
	60		1.97	50.01	1.06	26.90	1.39	35.31	2.61	66.29	1.31	33.27	2.57	65.28	1.55	39.40	0.50	12.70	0.75	19.05
	61		1.97	50.01	1.38	34.93	1.39	35.31	2.61	66.29	1.31	33.27	2.57	65.28	2.11	53.67	0.88	22.23	1.25	31.75
32	23	32	2.22	56.36	1.16	29.36	1.74	44.20	2.86	72.64	1.38	35.05	2.67	67.82	1.77	44.96	0.63	15.88	0.94	23.80
	24		2.22	56.36	1.38	34.93	1.74	44.20	2.86	72.64	1.38	35.05	2.67	67.82	2.11	53.67	0.88	22.23	1.25	31.75
	25		2.22	56.36	1.78	45.24	1.74	44.20	2.51	63.75	1.38	35.05	2.32	58.93	2.77	70.36	1.25	31.75	1.63	41.28
	62		2.22	56.36	1.50	38.10	1.74	44.20	2.86	72.64	1.38	35.05	2.67	67.82	2.36	60.02	1.00	25.40	1.38	34.93
36	26	36	2.47	62.71	1.16	29.36	1.94	49.28	2.83	71.88	1.41	35.81	2.76	70.10	1.77	44.96	0.63	15.88	0.94	23.80
	27		2.47	62.71	1.50	38.10	1.94	49.28	2.83	71.88	1.41	35.81	2.76	70.10	2.36	60.02	1.00	25.40	1.38	34.93
	28		2.47	62.71	1.83	46.48	1.94	49.28	2.48	62.99	1.41	35.81	2.41	61.21	3.02	76.71	1.44	36.50	1.84	46.74
	47		2.47	62.71	1.06	26.90	1.94	49.28	2.83	71.88	1.41	35.81	2.76	70.10	1.55	39.40	0.50	12.70	0.75	19.05
	63		2.47	62.71	1.38	34.93	1.94	49.28	2.83	71.88	1.41	35.81	2.76	70.10	2.11	53.67	0.88	22.23	1.25	31.75
	64		2.47	62.71	1.78	45.24	1.94	49.28	2.83	71.88	1.41	35.81	2.76	70.10	2.77	70.36	1.25	31.75	1.63	41.28
40	29	40	2.72	69.06	1.16	29.36	2.69	68.33	2.83	71.88	2.16	54.86	2.76	70.10	1.77	44.96	0.63	15.88	0.94	23.80
	30		2.72	69.06	1.50	38.10	2.69	68.33	2.83	71.88	2.16	54.86	2.76	70.10	2.36	60.02	1.00	25.40	1.38	34.93
	31		2.72	69.06	1.83	46.48	2.69	68.33	2.48	62.99	2.16	54.86	2.41	61.21	3.02	76.71	1.44	36.50	1.88	47.63
	48		2.72	69.06	1.06	26.90	1.94	49.28	2.83	71.88	2.16	54.86	2.76	70.10	1.55	39.40	0.50	12.70	0.75	19.05
	65		2.72	69.06	1.38	34.93	2.69	68.33	2.83	71.88	2.16	54.86	2.76	70.10	2.11	53.67	0.88	22.23	1.25	31.75
	66		2.72	69.06	1.78	45.24	2.69	68.33	2.83	71.88	2.16	54.86	2.76	70.10	2.77	70.36	1.25	31.75	1.63	41.28
44	32	44	2.97	75.41	1.16	29.36	2.69	68.33	2.83	71.88	2.16	54.86	2.76	70.10	1.77	44.96	0.63	15.88	0.94	23.80
	33		2.97	75.41	1.50	38.10	2.69	68.33	2.83	71.88	2.16	54.86	2.76	70.10	2.36	60.02	1.00	25.40	1.38	34.93
	34		2.97	75.41	1.83	46.48	2.69	68.33	2.48	62.99	2.16	54.86	2.41	61.21	3.02	76.71	1.44	36.50	1.88	47.63
	67		2.97	75.41	1.38	34.93	2.69	68.33	2.83	71.88	2.16	54.86	2.76	70.10	2.11	53.67	0.88	22.23	1.25	31.75
	68		2.97	75.41	1.78	45.24	2.69	68.33	2.83	71.88	2.16	54.86	2.76	70.10	2.77	70.36	1.25	31.75	1.63	41.28
48	35	48	3.22	81.76	1.16	29.36	2.69	68.33	2.83	71.88	2.16	54.86	2.76	70.10	1.77	44.96	0.63	15.88	0.94	23.80
	36		3.22	81.76	1.50	38.10	2.69	68.33	2.83	71.88	2.16	54.86	2.76	70.10	2.36	60.02	1.00	25.40	1.38	34.93
	37		3.22	81.76	1.83	46.48	2.69	68.33	2.48	62.99	2.16	54.86	2.41	61.21	3.02	76.71	1.44	36.50	1.88	47.63
	69		3.22	81.76	1.38	34.93	2.69	68.33	2.83	71.88	2.16	54.86	2.76	70.10	2.11	53.67	0.88	22.23	1.25	31.75
	70		3.22	81.76	1.78	45.24	2.69	68.33	2.83	71.88	2.16	54.86	2.76	70.10	2.77	70.36	1.25	31.75	1.63	41.28

STRAIGHT, SPIN COUPLING

Connector Group J

MIL-DTL-26482 Series II; MIL-DTL-83723 Series III; AS50151; AS81703

M85049	/25	-11	W
SERIES	SLASH #	DASH #	FINISH
	25: Straight	Table A	N: Electroless Nickel W: Cadmium Olive Drab Z: Black Zinc Nickel

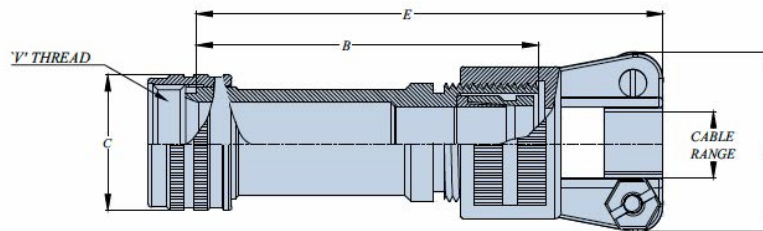


TABLE A

Accessory Shell Size	DASH #	Connector Shell Size	A Ø Max.		B Ø Max.		C Ref.		G Max.		Cable Range			
			inch	mm	inch	mm	inch	mm	inch	mm	Min.		Max.	
											inch	mm	inch	mm
8	05	8	0.62	15.67	2.13	54.10	1.03	26.09	0.96	24.31	0.13	3.18	0.25	6.35
	06		0.62	15.67	3.13	79.50	1.03	26.09	0.96	24.31	0.13	3.18	0.25	6.35
	07		0.62	15.67	2.88	73.15	1.03	26.09	1.15	29.08	0.25	6.35	0.44	11.10
	08		0.62	15.67	3.88	98.55	1.03	26.09	1.15	29.08	0.25	6.35	0.44	11.10
10	09	10	0.73	18.64	2.13	54.10	1.03	26.09	0.96	24.31	0.13	3.18	0.31	7.92
	10		0.73	18.64	3.13	79.50	1.03	26.09	0.96	24.31	0.13	3.18	0.31	7.92
	11		0.73	18.64	2.88	73.15	1.03	26.09	1.15	29.08	0.25	6.35	0.44	11.10
	12		0.73	18.64	3.88	98.55	1.03	26.09	1.15	29.08	0.25	6.35	0.44	11.10
	136		0.73	18.64	2.13	54.10	1.03	26.09	1.15	29.08	0.25	6.35	0.38	9.53
	137		0.73	18.64	3.13	79.50	1.03	26.09	1.15	29.08	0.25	6.35	0.38	9.53
12	13	7/12	0.86	21.79	2.13	54.10	1.03	26.09	1.15	29.08	0.25	6.35	0.44	11.10
	14		0.86	21.79	3.13	79.50	1.03	26.09	1.15	29.08	0.25	6.35	0.44	11.10
	15		0.86	21.79	2.88	73.15	1.03	26.09	1.33	33.83	0.35	8.89	0.63	15.88
	16		0.86	21.79	3.88	98.55	1.03	26.09	1.33	33.83	0.35	8.89	0.63	15.88
	111		0.86	21.79	2.13	54.10	1.03	26.09	1.33	33.83	0.35	8.89	0.50	12.70
	114		0.86	21.79	2.13	54.10	1.03	26.09	0.96	24.31	0.13	3.18	0.31	7.92
	115		0.86	21.79	3.13	79.50	1.03	26.09	0.96	24.31	0.13	3.18	0.31	7.92
	138		0.86	21.79	2.13	54.10	1.03	26.09	1.33	33.83	0.35	8.89	0.50	12.70
14	139	12/14	0.86	21.79	3.13	79.50	1.03	26.09	1.33	33.83	0.35	8.89	0.50	12.70
	17		0.98	24.99	2.13	54.10	1.03	26.09	1.33	33.83	0.35	8.89	0.58	14.61
	18		0.98	24.99	3.13	79.50	1.03	26.09	1.33	33.83	0.35	8.89	0.58	14.61
	19		0.98	24.99	2.88	73.15	1.06	26.90	1.55	39.40	0.50	12.70	0.75	19.05
	20		0.98	24.99	3.88	98.55	1.06	26.90	1.55	39.40	0.50	12.70	0.75	19.05
	116		0.98	24.99	2.13	54.10	1.03	26.09	1.15	29.08	0.25	6.35	0.44	11.10
	117		0.98	24.99	3.13	79.50	1.03	26.09	1.15	29.08	0.25	6.35	0.44	11.10
	150		0.98	24.99	2.13	54.10	1.03	26.09	0.96	24.31	0.13	3.18	0.31	7.92
16	151	19/16	0.98	24.99	3.13	79.50	1.03	26.09	0.96	24.31	0.13	3.18	0.31	7.92
	21		1.11	28.24	2.13	54.10	1.06	26.90	1.55	39.40	0.50	12.70	0.70	17.78
	22		1.11	28.24	3.13	79.50	1.06	26.90	1.55	39.40	0.50	12.70	0.70	17.78
	23		1.11	28.24	2.88	73.15	1.16	29.36	1.77	44.96	0.63	15.88	0.94	23.80
	24		1.11	28.24	3.88	98.55	1.16	29.36	1.77	44.96	0.63	15.88	0.94	23.80
	112		1.11	28.24	2.13	54.10	1.03	26.09	1.15	29.08	0.25	6.35	0.44	11.10
	113		1.11	28.24	3.13	79.50	1.03	26.09	1.15	29.08	0.25	6.35	0.44	11.10
	118		1.11	28.24	2.13	54.10	1.03	26.09	1.33	33.83	0.35	8.89	0.63	15.88
	119		1.11	28.24	3.13	79.50	1.03	26.09	1.33	33.83	0.35	8.89	0.63	15.88
	152		1.11	28.24	2.13	54.10	1.03	26.09	0.96	24.31	0.13	3.18	0.31	7.92
153	1.11	28.24	3.13	79.50	1.03	26.09	0.96	24.31	0.13	3.18	0.31	7.92		

STRAIGHT, SPIN COUPLING

Connector Group J

MIL-DTL-26482 Series II; MIL-DTL-83723 Series III; AS50151; AS81703

TABLE A														
Accessory Shell Size	DASH #	Connector Shell Size	A Ø Max.		B Ø Max.		C Ref.		G Max.		Cable Range			
											Min.		Max.	
			inch	mm	inch	mm	inch	mm	inch	mm	inch	mm	inch	mm
18	25	27/18	1.22	30.94	2.13	54.10	1.03	26.09	1.33	33.83	0.35	8.89	0.63	15.88
	26		1.22	30.94	3.13	79.50	1.03	26.09	1.33	33.83	0.35	8.89	0.63	15.88
	27		1.22	30.94	2.13	54.10	1.06	26.90	1.55	39.40	0.50	12.70	0.75	19.05
	28		1.22	30.94	3.13	79.50	1.06	26.90	1.55	39.40	0.50	12.70	0.75	19.05
	29		1.22	30.94	2.88	73.15	1.16	29.36	1.77	44.96	0.63	15.88	0.94	23.80
	30		1.22	30.94	3.88	98.55	1.16	29.36	1.77	44.96	0.63	15.88	0.94	23.80
	120		1.22	30.94	2.13	54.10	1.03	26.09	0.96	24.31	0.13	3.18	0.31	7.92
	121		1.22	30.94	3.13	79.50	1.03	26.09	0.96	24.31	0.13	3.18	0.31	7.92
	122		1.22	30.94	2.13	54.10	1.03	26.09	1.15	29.08	0.25	6.35	0.44	11.10
123	1.22	30.94	3.13	79.50	1.03	26.09	1.15	29.08	0.25	6.35	0.44	11.10		
20	31	37/20	1.35	34.16	3.13	79.50	1.03	26.09	1.33	33.83	0.35	8.89	0.63	15.88
	32		1.35	34.16	4.13	104.90	1.03	26.09	1.33	33.83	0.35	8.89	0.63	15.88
	33		1.35	34.16	3.13	79.50	1.06	26.90	1.55	39.40	0.50	12.70	0.75	19.05
	34		1.35	34.16	4.13	104.90	1.06	26.90	1.55	39.40	0.50	12.70	0.75	19.05
	35		1.35	34.16	3.88	98.55	1.16	29.36	1.77	44.96	0.63	15.88	0.94	23.80
	36		1.35	34.16	4.88	123.95	1.16	29.36	1.77	44.96	0.63	15.88	0.94	23.80
	37		1.35	34.16	3.88	98.55	1.38	34.93	2.11	53.67	0.88	22.23	1.25	31.75
	38		1.35	34.16	4.88	123.95	1.38	34.93	2.11	53.67	0.88	22.23	1.25	31.75
	124		1.35	34.16	3.13	79.50	1.03	26.09	1.15	29.08	0.25	6.35	0.44	11.10
	125		1.35	34.16	4.13	104.90	1.03	26.09	1.15	29.08	0.25	6.35	0.44	11.10
	140		1.35	34.16	3.13	79.50	1.16	29.36	1.77	44.96	0.63	15.88	0.90	22.96
141	1.35	34.16	4.13	104.90	1.16	29.36	1.77	44.96	0.63	15.88	0.90	22.96		
22	39	22	1.47	37.29	3.13	79.50	1.03	26.09	1.33	33.83	0.35	8.89	0.63	15.88
	40		1.47	37.29	4.13	104.90	1.03	26.09	1.33	33.83	0.35	8.89	0.63	15.88
	41		1.47	37.29	3.13	79.50	1.06	26.90	1.55	39.40	0.50	12.70	0.75	19.05
	42		1.47	37.29	4.13	104.90	1.06	26.90	1.55	39.40	0.50	12.70	0.75	19.05
	43		1.47	37.29	3.13	79.50	1.16	29.36	1.77	44.96	0.63	15.88	0.94	23.80
	44		1.47	37.29	4.13	104.90	1.16	29.36	1.77	44.96	0.63	15.88	0.94	23.80
	45		1.47	37.29	3.88	98.55	1.38	34.93	2.11	53.67	0.88	22.23	1.25	31.75
	46		1.47	37.29	4.88	123.95	1.38	34.93	2.11	53.67	0.88	22.23	1.25	31.75
	126		1.47	37.29	3.13	79.50	1.03	26.09	0.96	24.31	0.13	3.18	0.31	7.92
	127		1.47	37.29	4.13	104.90	1.03	26.09	0.96	24.31	0.13	3.18	0.31	7.92
	128		1.47	37.29	3.13	79.50	1.03	26.09	1.15	29.08	0.25	6.35	0.44	11.10
	129		1.47	37.29	4.13	104.90	1.03	26.09	1.15	29.08	0.25	6.35	0.44	11.10
	142		1.47	37.29	3.13	79.50	1.38	34.93	2.11	53.67	0.88	22.23	1.03	26.14
143	1.47	37.29	4.13	104.90	1.38	34.93	2.11	53.67	0.88	22.23	1.03	26.14		
24	47	24	1.59	40.46	3.13	79.50	1.06	26.90	1.55	39.40	0.50	12.70	0.75	19.05
	48		1.59	40.46	4.13	104.90	1.06	26.90	1.55	39.40	0.50	12.70	0.75	19.05
	49		1.59	40.46	3.13	79.50	1.16	29.36	1.77	44.96	0.63	15.88	0.81	20.62
	50		1.59	40.46	4.13	104.90	1.16	29.36	1.77	44.96	0.63	15.88	0.81	20.62
	51		1.59	40.46	3.13	79.50	1.16	29.36	1.77	44.96	0.63	15.88	0.94	23.80
	52		1.59	40.46	4.13	104.90	1.16	29.36	1.77	44.96	0.63	15.88	0.94	23.80
	53		1.59	40.46	3.88	98.55	1.38	34.93	2.11	53.67	0.88	22.23	1.25	31.75
	54		1.59	40.46	4.88	123.95	1.38	34.93	2.11	53.67	0.88	22.23	1.25	31.75
	130		1.59	40.46	3.13	79.50	1.03	26.09	1.33	33.83	0.35	8.89	0.63	15.88
	131		1.59	40.46	4.13	104.90	1.03	26.09	1.33	33.83	0.35	8.89	0.63	15.88
	144		1.59	40.46	3.13	79.50	1.38	34.93	2.11	53.67	0.88	22.23	1.14	29.06
	145		1.59	40.46	4.13	104.90	1.38	34.93	2.11	53.67	0.88	22.23	1.14	29.06
	28		55	28	1.97	50.01	3.13	79.50	1.06	26.90	1.55	39.40	0.50	12.70
56		1.97	50.01		4.13	104.90	1.06	26.90	1.55	39.40	0.50	12.70	0.75	19.05
57		1.97	50.01		3.13	79.50	1.16	29.36	1.77	44.96	0.63	15.88	0.94	23.80
58		1.97	50.01		4.13	104.90	1.16	29.36	1.77	44.96	0.63	15.88	0.94	23.80

STRAIGHT, SPIN COUPLING

Connector Group J

MIL-DTL-26482 Series II; MIL-DTL-83723 Series III; AS50151; AS81703

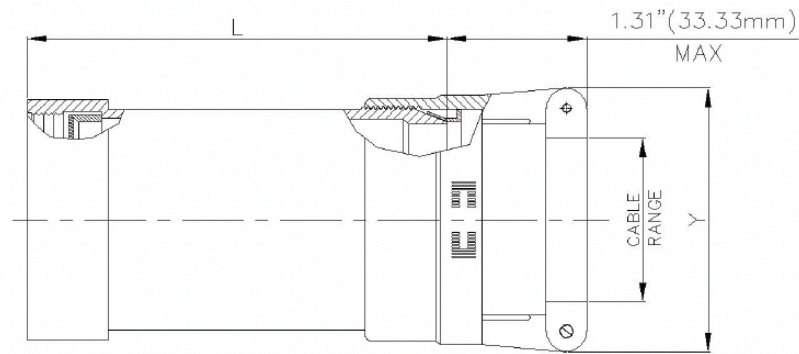
TABLE A														
Accessory Shell Size	DASH #	Connector Shell Size	A Ø Max.		B Ø Max.		C Ref.		G Max.		Cable Range			
			inch	mm	inch	mm	inch	mm	inch	mm	Min.		Max.	
28, cont.	59	28	1.97	50.01	3.13	79.50	1.38	34.93	2.11	53.67	0.88	22.23	1.25	31.75
	60		1.97	50.01	4.13	104.90	1.38	34.93	2.11	53.67	0.88	22.23	1.25	31.75
	61		1.97	50.01	3.13	79.50	1.50	38.10	23.63	600.20	1.00	25.40	1.38	34.93
	62		1.97	50.01	4.13	104.90	1.50	38.10	2.36	60.02	1.00	25.40	1.38	34.93
32	63	32	2.22	56.36	3.13	79.50	1.16	29.36	1.77	44.96	0.63	15.88	0.94	23.80
	64		2.22	56.36	4.13	104.90	1.16	29.36	1.77	44.96	0.63	15.88	0.94	23.80
	65		2.22	56.36	3.13	79.50	1.38	34.93	2.11	53.67	0.88	22.23	1.25	31.75
	66		2.22	56.36	4.13	104.90	1.38	34.93	2.11	53.67	0.88	22.23	1.25	31.75
	67		2.22	56.36	3.13	79.50	1.50	38.10	2.36	60.02	1.00	25.40	1.38	34.93
	68		2.22	56.36	4.13	104.90	1.50	38.10	2.36	60.02	1.00	25.40	1.38	34.93
	69		2.22	56.36	3.13	79.50	1.78	45.24	2.77	70.36	1.25	31.75	1.63	41.28
	70		2.22	56.36	4.13	104.90	1.78	45.24	2.77	70.36	1.25	31.75	1.63	41.28
36	71	36	2.47	62.71	4.13	104.90	1.38	34.93	2.11	53.67	0.88	22.23	1.25	31.75
	72		2.47	62.71	5.13	130.30	1.38	34.93	2.11	53.67	0.88	22.23	1.25	31.75
	73		2.47	62.71	4.13	104.90	1.50	38.10	2.36	60.02	1.00	25.40	1.38	34.93
	74		2.47	62.71	5.13	130.30	1.50	38.10	2.36	60.02	1.00	25.40	1.38	34.93
	75		2.47	62.71	4.13	104.90	1.78	45.24	2.77	70.36	1.25	31.75	1.63	41.28
	76		2.47	62.71	5.13	130.30	1.78	45.24	2.77	70.36	1.25	31.75	1.63	41.28
	77		2.47	62.71	5.01	127.25	1.83	46.48	3.02	76.71	1.44	36.50	1.88	47.63
	78		2.47	62.71	6.01	152.65	1.83	46.48	3.02	76.71	1.44	36.50	1.88	47.63
	132		2.47	62.71	4.13	104.90	1.06	26.90	1.55	39.40	0.50	12.70	0.75	19.05
	133		2.47	62.71	5.13	130.30	1.06	26.90	1.55	39.40	0.50	12.70	0.75	19.05
	146		2.47	62.71	4.13	104.90	1.83	46.48	3.02	76.71	1.44	36.50	1.84	46.74
	147		2.47	62.71	5.13	130.30	1.83	46.48	3.02	76.71	1.44	36.50	1.84	46.74
	148		2.47	62.71	4.13	104.90	1.16	29.36	1.77	44.96	0.63	15.88	0.94	23.80
149	2.47	62.71	5.13	130.30	1.16	29.36	1.77	44.96	0.63	15.88	0.94	23.80		
40	79	40	2.72	69.06	4.13	104.90	1.38	34.93	2.11	53.67	0.88	22.23	1.25	31.75
	80		2.72	69.06	5.13	130.30	1.38	34.93	2.11	53.67	0.88	22.23	1.25	31.75
	81		2.72	69.06	4.13	104.90	1.50	38.10	2.36	60.02	1.00	25.40	1.38	34.93
	82		2.72	69.06	5.13	130.30	1.50	38.10	2.36	60.02	1.00	25.40	1.38	34.93
	83		2.72	69.06	4.13	104.90	1.78	45.24	2.77	70.36	1.25	31.75	1.63	41.28
	84		2.72	69.06	5.13	130.30	1.78	45.24	2.77	70.36	1.25	31.75	1.63	41.28
	85		2.72	69.06	4.13	104.90	1.83	46.48	3.02	76.71	1.44	36.50	1.88	47.63
	86		2.72	69.06	5.13	130.30	1.83	46.48	3.02	76.71	1.44	36.50	1.88	47.63
	134		2.72	69.06	4.13	104.90	1.06	26.90	1.55	39.40	0.50	12.70	0.75	19.05
	135		2.72	69.06	5.13	130.30	1.06	26.90	1.55	39.40	0.50	12.70	0.75	19.05
	156		2.72	69.06	4.13	104.90	1.16	29.36	1.77	44.96	0.63	15.88	0.94	23.80
44	87	44	2.97	75.41	4.13	104.90	1.38	34.93	2.11	53.67	0.88	22.23	1.25	31.75
	88		2.97	75.41	5.13	130.30	1.38	34.93	2.11	53.67	0.88	22.23	1.25	31.75
	89		2.97	75.41	4.13	104.90	1.50	38.10	2.36	60.02	1.00	25.40	1.38	34.93
	90		2.97	75.41	5.13	130.30	1.50	38.10	2.36	60.02	1.00	25.40	1.38	34.93
	91		2.97	75.41	4.13	104.90	1.78	45.24	2.77	70.36	1.25	31.75	1.63	41.28
	92		2.97	75.41	5.13	130.30	1.78	45.24	2.77	70.36	1.25	31.75	1.63	41.28
	93		2.97	75.41	4.13	104.90	1.83	46.48	3.02	76.71	1.44	36.50	1.88	47.63
	94		2.97	75.41	5.13	130.30	1.83	46.48	3.02	76.71	1.44	36.50	1.88	47.63
	154		2.97	75.41	4.13	104.90	1.16	29.36	1.77	44.96	0.63	15.88	0.94	23.80
	155		2.97	75.41	5.13	130.30	1.16	29.36	1.77	44.96	0.63	15.88	0.94	23.80
48	95	48	3.22	81.76	4.13	104.90	1.38	34.93	2.11	53.67	0.88	22.23	1.25	31.75
	96		3.22	81.76	5.13	130.30	1.38	34.93	2.11	53.67	0.88	22.23	1.25	31.75
	97		3.22	81.76	4.13	104.90	1.50	38.10	2.36	60.02	1.00	25.40	1.38	34.93
	98		3.22	81.76	5.13	130.30	1.50	38.10	2.36	60.02	1.00	25.40	1.38	34.93
	99		3.22	81.76	4.13	104.90	1.78	45.24	2.77	70.36	1.25	31.75	1.63	41.28
	100		3.22	81.76	5.13	130.30	1.78	45.24	2.77	70.36	1.25	31.75	1.63	41.28
	101		3.22	81.76	4.13	104.90	1.83	46.48	3.02	76.71	1.44	36.50	1.88	47.63
	102		3.22	81.76	5.13	130.30	1.83	46.48	3.02	76.71	1.44	36.50	1.88	47.63

STRAIGHT; DIRECT COUPLING

Connector Group K

MIL-DTL-38999 Series I & II

M85049	/36	10	W	03	A
SERIES	SLASH #	ACCESSORY SHELL SIZE	FINISH	CLAMP SIZE	LENGTH
	36: Straight, Direct Coupling	Table A	N: Electroless Nickel W: Cadmium Olive Drab Z: Black Zinc Nickel	Table A	Table A Omit For "STD"



Accessory Shell Size	Clamp Size	Length	Connector Shell Size	Cable Range				L Max.		Y Max.	
				Min.		Max.		inch	mm	inch	mm
				inch	mm	inch	mm				
08	01	STD.	8 / 9	0.06	1.57	0.13	3.18	1.53	38.86	0.78	19.81
		A		2.53	64.26						
	02	STD.		0.13	3.18	0.25	6.35	1.53	38.86	0.97	24.64
		A		2.53	64.26						
10	01	STD.	10 / 11	0.06	1.57	0.13	3.18	1.53	38.86	0.78	19.81
		A		2.53	64.26						
	02	STD.		0.13	3.18	0.25	6.35	1.53	38.86	0.97	24.64
		A		2.53	64.26						
	03	STD.		0.25	6.35	0.38	9.53	1.53	38.86	1.06	26.92
		A		2.53	64.26						
12	02	STD.	12 / 13	0.13	3.18	0.25	6.35	1.53	38.86	0.97	24.64
		A		2.53	64.26						
	03	STD.		0.25	6.35	0.38	9.53	1.53	38.86	1.06	26.92
		A		2.53	64.26						
	04	STD.		0.31	7.92	0.50	12.70	1.53	38.86	1.16	29.46
		A		2.53	64.26						
14	02	STD.	14 / 15	0.13	3.18	0.25	6.35	1.53	38.86	0.97	24.64
		A						2.53	64.26		
		B						3.53	89.66		
	03	STD.		0.25	6.35	0.38	9.53	1.53	38.86	1.06	26.92
		A						2.53	64.26		
		B						3.53	89.66		
	04	STD.		0.31	7.92	0.50	12.70	1.53	38.86	1.16	29.46
		A						2.53	64.26		
		B						3.53	89.66		
	05	STD.		0.44	11.10	0.63	15.88	1.53	38.86	1.25	31.75
		A						2.53	64.26		
		B						3.53	89.66		

STRAIGHT; DIRECT COUPLING

Connector Group K

MIL-DTL-38999 Series I & II

TABLE A											
Accessory Shell Size	Clamp Size	Length	Connector Shell Size	Cable Range				L Max.		Y Max.	
				Min.		Max.		inch	mm	inch	mm
				inch	mm	inch	mm				
16	02	STD.	16 / 17	0.13	3.18	0.25	6.35	1.53	38.86	0.97	24.64
		A						2.53	64.26		
		B						3.53	89.66		
	03	STD.		0.25	6.35	0.38	9.53	1.53	38.86	1.06	26.92
		A						2.53	64.26		
		B						3.53	89.66		
	04	STD.		0.31	7.92	0.50	12.70	1.53	38.86	1.16	29.46
		A						2.53	64.26		
		B						3.53	89.66		
	05	STD.		0.44	11.10	0.63	15.88	1.53	38.86	1.25	31.75
		A						2.53	64.26		
		B						3.53	89.66		
06	STD.	0.56	14.27	0.75	19.05	1.53	38.86	1.38	35.05		
	A					2.53	64.26				
	B					3.53	89.66				
18	03	STD.	18 / 19	0.25	6.35	0.38	9.53	1.53	38.86	1.06	26.92
		A						2.53	64.26		
		B						3.53	89.66		
	04	STD.		0.31	7.92	0.50	12.70	1.53	38.86	1.16	29.46
		A						2.53	64.26		
		B						3.53	89.66		
	05	STD.		0.44	11.10	0.63	15.88	1.53	38.86	1.25	31.75
		A						2.53	64.26		
		B						3.53	89.66		
	06	STD.		0.56	14.27	0.75	19.05	1.53	38.86	1.38	35.05
		A						2.53	64.26		
		B						3.53	89.66		
07	STD.	0.69	17.45	0.88	22.23	1.53	38.86	1.50	38.10		
	A					2.53	64.26				
	B					3.53	89.66				
20	03	STD.	20 / 21	0.25	6.35	0.38	9.53	1.53	38.86	1.06	26.92
		A						2.53	64.26		
		B						3.53	89.66		
		C						4.53	115.06		
	04	STD.		0.31	7.92	0.50	12.70	1.53	38.86	1.16	29.46
		A						2.53	64.26		
		B						3.53	89.66		
		C						4.53	115.06		
	05	STD.		0.44	11.10	0.63	15.88	1.53	38.86	1.25	31.75
		A						2.53	64.26		
		B						3.53	89.66		
		C						4.53	115.06		
	06	STD.		0.56	14.27	0.75	19.05	1.53	38.86	1.38	35.05
		A						2.53	64.26		
		B						3.53	89.66		
		C						4.53	115.06		
	07	STD.		0.69	17.45	0.88	22.23	1.53	38.86	1.50	38.10
		A						2.53	64.26		
B		3.53	89.66								
C		4.53	115.06								
08	STD.	0.81	20.62	1.00	25.40	1.53	38.86	1.63	41.40		
	A					2.53	64.26				
	B					3.53	89.66				
	C					4.53	115.06				

STRAIGHT; DIRECT COUPLING

Connector Group K

MIL-DTL-38999 Series I & II

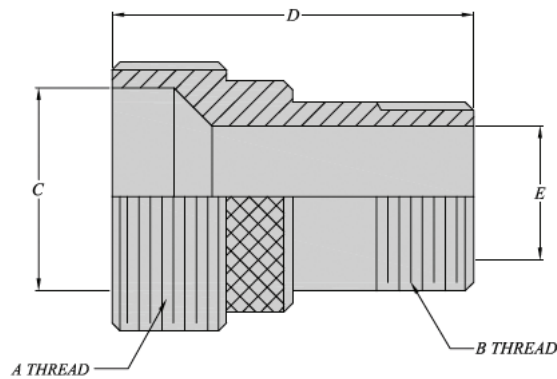
TABLE A											
Accessory Shell Size	Clamp Size	Length	Connector Shell Size	Cable Range				L Max.		Y Max.	
				Min.		Max.		inch	mm	inch	mm
				inch	mm	inch	mm				
22	03	STD.	22 / 23	0.25	6.35	0.38	9.53	1.53	38.86	1.06	26.92
		A						2.53	64.26		
		B						3.53	89.66		
		C						4.53	115.06		
	04	STD.		0.31	7.92	0.50	12.70	1.53	38.86	1.16	29.46
		A						2.53	64.26		
		B						3.53	89.66		
		C						4.53	115.06		
	05	STD.		0.44	11.10	0.63	15.88	1.53	38.86	1.25	31.75
		A						2.53	64.26		
		B						3.53	89.66		
		C						4.53	115.06		
	06	STD.		0.56	14.27	0.75	19.05	1.53	38.86	1.38	35.05
		A						2.53	64.26		
		B						3.53	89.66		
		C						4.53	115.06		
	07	STD.		0.69	17.45	0.88	22.23	1.53	38.86	1.50	38.10
		A						2.53	64.26		
		B						3.53	89.66		
		C						4.53	115.06		
	08	STD.		0.81	20.62	1.00	25.40	1.53	38.86	1.63	41.40
		A						2.53	64.26		
		B						3.53	89.66		
		C						4.53	115.06		
09	STD.	0.94	23.80	1.13	28.58	1.53	38.86	1.75	44.45		
	A					2.53	64.26				
	B					3.53	89.66				
	C					4.53	115.06				
24	04	STD.	24 / 25	0.31	7.92	0.50	12.70	1.53	38.86	1.16	29.46
		A						2.53	64.26		
		B						3.53	89.66		
		C						4.53	115.06		
	05	STD.		0.44	11.10	0.63	15.88	1.53	38.86	1.25	31.75
		A						2.53	64.26		
		B						3.53	89.66		
		C						4.53	115.06		
	06	STD.		0.56	14.27	0.75	19.05	1.53	38.86	1.38	35.05
		A						2.53	64.26		
		B						3.53	89.66		
		C						4.53	115.06		
	07	STD.		0.69	17.45	0.88	22.23	1.53	38.86	1.50	38.10
		A						2.53	64.26		
		B						3.53	89.66		
		C						4.53	115.06		
	08	STD.		0.81	20.62	1.00	25.40	1.53	38.86	1.63	41.40
		A						2.53	64.26		
		B						3.53	89.66		
		C						4.53	115.06		
	09	STD.		0.94	23.80	1.13	28.58	1.53	38.86	1.75	44.45
		A						2.53	64.26		
		B						3.53	89.66		
		C						4.53	115.06		
10	STD.	1.06	26.97	1.25	31.75	1.53	38.86	1.88	47.75		
	A					2.53	64.26				
	B					3.53	89.66				
	C					4.53	115.06				

STRAIGHT

Connector Group Q

MIL-DTL-26482 Series I Jam Nut Receptacle

M85049	34	10	W
SERIES	SLASH #	SHELL SIZE	FINISH
	34: Straight	Table A	W: Aluminum, Cadmium Olive Drab Z: Aluminum, Zinc Nickel



SHELL SIZE	A THREAD UNEFC CLASS 2A	B THREAD UNEFC CLASS 2A	ØC +0.010 (0.25) -0.011 (0.28)		D Max.		ØE +0.005 (0.13) -0.001 (0.03)	
			inch	mm	inch	mm	inch	mm
8	0.625-24	0.4375-28	0.500	12.70	0.812	20.62	0.322	8.18
10	0.750-20	0.5625-24	0.609	15.47	0.812	20.62	0.439	11.15
12	0.875-20	0.6875-24	0.734	18.64	0.812	20.62	0.564	14.33
14	1.000-20	0.8125-20	0.859	21.82	0.812	20.62	0.668	16.97
16	1.125-18	0.9375-20	0.969	24.61	0.812	20.62	0.793	20.14
18	1.250-18	1.0625-18	1.109	28.17	0.812	20.62	0.910	23.11
20	1.375-18	1.1875-18	1.219	30.96	0.906	23.01	1.025	26.04
22	1.500-18	1.3125-18	1.344	34.14	0.906	23.01	1.150	29.21
24	1.625-18	1.4375-18	1.469	37.31	0.937	23.80	1.275	32.39

STRAIGHT

Connector Group K

MIL-DTL-38999 Series I & II

M85049	58	-10	W
SERIES	SLASH #	DASH #	FINISH
	58: Straight	Table A	N: Aluminum, Electroless Nickel Z: Aluminum, Zinc Nickel

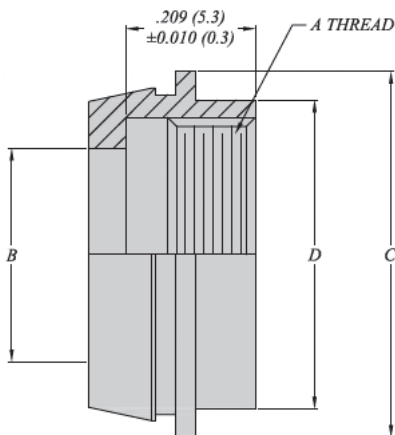


TABLE-A

DASH #	SHEL SIZE		A THREAD UNEQ CLASS 2A	$\varnothing B$ $\pm 0.005 (0.13)$		$\varnothing C$ Max.		$\varnothing D$ $+0.006 (0.15)$ $-0.005 (0.13)$	
	Series II	Series I		inch	mm	inch	mm	inch	mm
8	8	9	0.4375-28	0.344	8.74	0.600	15.24	0.500	12.70
10	10	11	0.5625-24	0.472	11.99	0.726	18.44	0.625	15.88
12	12	13	0.6875-24	0.586	14.88	0.850	21.59	0.750	19.05
14	14	15	0.8125-20	0.711	18.06	0.976	24.79	0.875	22.23
16	16	17	0.9375-20	0.836	21.23	1.102	27.99	1.000	25.40
18	18	19	1.0625-18	0.942	23.93	1.226	31.14	1.125	28.58
20	20	21	1.1875-18	1.067	27.10	1.352	34.34	1.250	31.75
22	22	23	1.3125-18	1.192	30.28	1.476	37.49	1.375	34.93
24	24	25	1.4375-18	1.317	33.45	1.602	40.69	1.500	38.10

Straight

Connector Group K

MIL-DTL-27599

M85049	61	-10	W
SERIES	SLASH #	DASH #	FINISH
	61: Straight	Table A	OMIT: Aluminum, Cadmium Olive Drab N: Aluminum, Electroless Nickel Z: Aluminum, Zinc Nickel

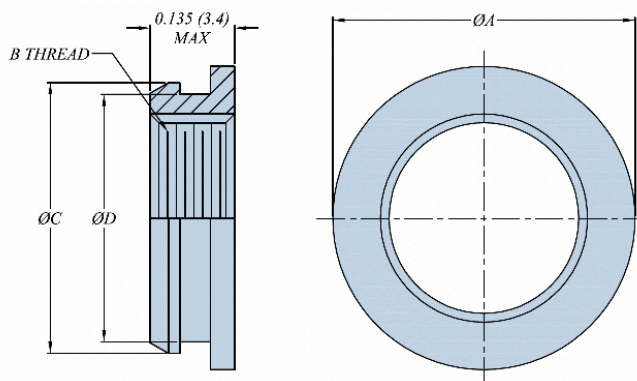


TABLE-A

DASH #	Connector Shell Size		ØA Max		B THREAD UNEF CLASS 2B	ØC +0.010 (0.25) -0.000		ØD ±0.010 (0.25)	
	Series I	Series II	inch	mm		inch	mm	inch	mm
8	8	9	0.594	15.09	0.4375-28	0.516	13.11	0.476	12.09
10	10	11	0.734	18.64	0.5625-24	0.642	16.31	0.602	15.29
12	12	13	0.844	21.44	0.6875-24	0.766	19.46	0.726	18.44
14	14	15	0.969	24.61	0.8125-20	0.892	22.66	0.852	21.64
16	16	17	1.094	27.79	0.9375-20	1.018	25.86	0.978	24.84
18	18	19	1.234	31.34	1.0625-18	1.142	29.01	1.102	27.99
20	20	21	1.344	34.14	1.1875-18	1.268	32.21	1.228	31.19
22	22	23	1.469	37.31	1.3125-18	1.392	35.36	1.352	34.34
24	24	25	1.594	40.49	1.4375-18	1.518	38.56	1.478	37.54

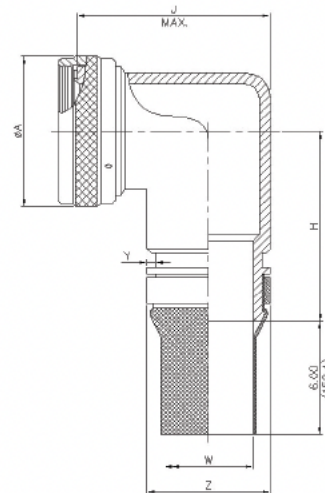
STRAIGHT; 90°; SPIN COUPLING; SELF-LOCK W/ SHIELD

Connector Group K

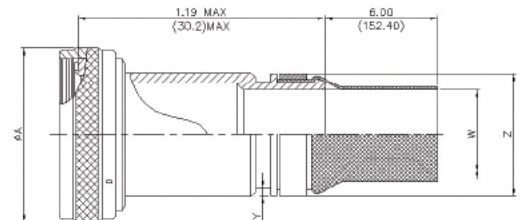
MIL-DTL-38999 Series I & II

M85049	/109	S	10	T	W	03	-6	D
SERIES	SLASH #	COUPLING	ACCESSORY SHELL SIZE	SHIELD FINISH	FINISH	ENTRY SIZE	SHIELD LENGTH	D: Drain Hole
	109: Straight 111: 90°	--Spin S:Self-Lock	Table A	(Material: Copper) K: Nickel T: Tin	N: Electroless Nickel W: Cadmium Olive Drab Z: Black Zinc Nickel	Table A & B	6 inches min. 18 inches max. 1 inch increments	

Accessory Shell Size	Entry Size		Connector Shell Size	A Dia. Max.		H Max.		J Max.	
	Min.	Max.		inch	mm	inch	mm	inch	mm
08	-	01	8	0.885	22.48	1.73	43.94	1.12	28.45
10	01	03	10	1.010	25.65	1.85	46.99	1.25	31.75
12	01	05	7/12	1.135	28.83	1.87	47.50	1.38	35.05
14	02	06	12/14	1.260	32.00	1.94	49.28	1.44	36.58
16	04	08	19/16	1.385	35.18	2.03	51.56	1.56	39.62
18	05	09	27/18	1.510	38.35	2.20	55.88	1.75	44.45
20	07	11	37/20	1.635	41.53	2.20	55.88	1.75	44.45
22	09	13	22	1.760	44.70	2.31	58.67	2.00	50.80
24	11	14	24	1.885	47.88	2.31	58.67	2.00	50.80
28	14	16	28	2.135	54.23	2.48	62.99	2.25	57.15
32	16	17	32	2.395	60.83	2.73	69.34	2.75	69.85
36	17	19	36	2.635	66.93	2.73	69.34	3.125	79.38
40	19	21	40	2.885	73.28	2.88	73.15	4.125	104.78
44	21	23	44	3.135	79.63	3.00	76.20	4.125	104.78
48	23	25	48	3.385	85.98	3.12	79.25	4.125	104.78



Entry Size	W ±0.020 (0.51)		Y +0.008(0.20) -0.00		Z Max.	
	inch	mm	inch	mm	inch	mm
01	0.250	6.350	0.044	1.12	0.56	14.22
02	0.312	7.920	0.044	1.12	0.63	16.00
03	0.375	9.530	0.044	1.12	0.69	17.53
04	0.438	11.130	0.044	1.12	0.75	19.05
05	0.500	12.700	0.044	1.12	0.82	20.83
06	0.562	14.270	0.044	1.12	0.89	22.61
07	0.625	15.880	0.044	1.12	0.95	24.13
08	0.688	17.480	0.044	1.12	1.02	25.91
09	0.750	19.050	0.069	1.75	1.07	27.18
10	0.812	20.620	0.069	1.75	1.13	28.70
11	0.875	22.230	0.069	1.75	1.19	30.23
12	0.938	23.830	0.069	1.75	1.26	32.00
13	1.000	25.400	0.069	1.75	1.32	33.53
14	1.125	28.575	0.069	1.75	1.47	37.34
15	1.250	31.750	0.069	1.75	1.60	40.64
16	1.375	34.930	0.069	1.75	1.71	43.43
17	1.500	38.100	0.086	2.18	1.84	46.74
18	1.625	41.280	0.086	2.18	2.00	50.80
19	1.750	44.450	0.086	2.18	2.12	53.85
20	1.875	47.630	0.086	2.18	2.27	57.66
21	2.000	50.800	0.086	2.18	2.44	61.98
22	2.125	53.980	0.086	2.18	2.60	66.04
23	2.250	57.150	0.086	2.18	2.75	69.85
24	2.375	60.325	0.086	2.18	2.90	73.66
25	2.500	63.500	0.086	2.18	3.06	77.72



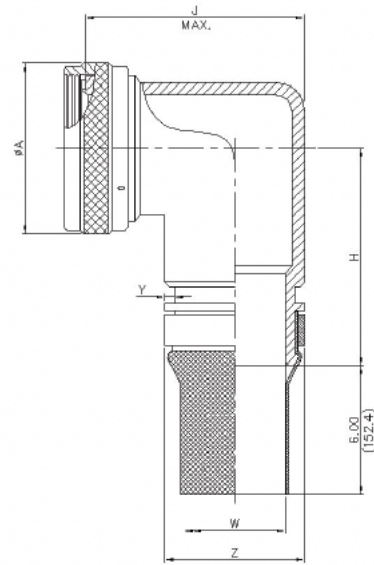
STRAIGHT; 90°; SPIN COUPLING; SELF-LOCK W/ SHIELD

Connector Group K

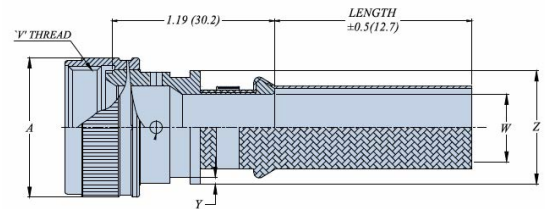
MIL-DTL-38999 Series I & II, 40M38277, PAN 6433-1, PATT 614, PAT 616, NFC 93422 Series HE308 & HE309

M85049	/112	S	10	T	W	03	-6	D
SERIES	SLASH #	COUPLING	ACCESSORY SHELL SIZE	SHIELD FINISH	FINISH	ENTRY SIZE	SHIELD LENGTH	D: Drain Hole
	112: Straight 114: 90°	--Spin S:Self-Lock	Table A	(Material: Copper) K: Nickel T: Tin	N: Electroless Nickel W: Cadmium Olive Drab Z: Black Zinc Nickel	Table A & B	6 inches min. 18 inches max. 1 inch increments	

Accessory Shell Size	Entry Size		Connector Shell Size	A Ø Max.		H Max.		J Max.	
	Min.	Max.		inch	mm	inch	mm	inch	mm
08	-	01	8/9	0.86	21.84	1.73	43.94	1.07	27.18
10	01	03	10/11	0.98	24.89	1.85	46.99	1.19	30.23
12	01	05	12/13	1.16	29.46	1.87	47.50	1.32	33.53
14	03	07	14/15	1.28	32.51	1.94	49.28	1.44	36.58
16	05	09	16/17	1.41	35.81	2.03	51.56	1.57	39.88
18	06	10	18/19	1.52	38.61	2.20	55.88	1.75	44.45
20	08	12	20/21	1.64	41.66	2.20	55.88	1.75	44.45
22	09	13	22/23	1.77	44.96	2.31	58.67	2.00	50.80
24	10	14	24/25	1.89	48.01	2.31	58.67	2.00	50.80



Entry Size	W ±0.020 (0.51)		Y +0.008(0.20) -0.00		Z Max.	
	inch	mm	inch	mm	inch	mm
01	0.250	6.350	0.044	1.12	0.56	14.22
02	0.312	7.920	0.044	1.12	0.63	16.00
03	0.375	9.530	0.044	1.12	0.69	17.53
04	0.438	11.130	0.044	1.12	0.75	19.05
05	0.500	12.700	0.044	1.12	0.82	20.83
06	0.562	14.270	0.044	1.12	0.89	22.61
07	0.625	15.880	0.044	1.12	0.95	24.13
08	0.688	17.480	0.044	1.12	1.02	25.91
09	0.750	19.050	0.069	1.75	1.07	27.18
10	0.812	20.620	0.069	1.75	1.13	28.70
11	0.875	22.230	0.069	1.75	1.19	30.23
12	0.938	23.830	0.069	1.75	1.26	32.00
13	1.000	25.400	0.069	1.75	1.32	33.53
14	1.125	28.575	0.069	1.75	1.47	37.34



STRAIGHT; 90°; SPIN COUPLING; SELF-LOCK W/ SHIELD

Connector Group L

MIL-DTL-38999 Series III & IV

M85049	/115	-	11	T	W	03	-6	D
SERIES	SLASH #	COUPLING	ACCESSORY SHELL SIZE	SHIELD FINISH	FINISH	ENTRY SIZE	SHIELD LENGTH	D: Drain Hole
	115: Straight 117: 90°	-:Spin S: Self-Lock	Table A	(Material: Copper) K: Nickel T: Tin	N: Electroless Nickel W: Cadmium Olive Drab Z: Black Zinc Nickel	Table A & B	6 inches min. 18 inches max. 1 inch increments	

TABLE A

Accessory Shell Size	Entry Size		Connector Shell Size	A Ø Max.		H Max.		J Max.	
	Min.	Max.		inch	mm	inch	mm	inch	mm
09	-	01	8/9	0.860	21.84	1.73	43.94	0.88	25.35
11	01	03	10/11	0.980	24.89	1.85	46.99	1.00	30.23
13	01	05	12/13	1.160	29.46	1.87	47.50	1.13	33.53
15	03	07	14/15	1.280	32.51	1.94	49.28	1.31	36.58
17	05	9	16/17	1.410	35.81	2.03	51.56	1.50	39.88
19	06	10	18/19	1.520	38.61	2.20	55.88	1.75	44.45
21	8	12	20/21	1.640	41.66	2.20	55.88	1.75	44.45
23	9	13	22/23	1.770	44.96	2.31	58.67	2.00	50.80
25	10	14	24/25	1.890	48.01	2.31	58.67	2.00	50.80

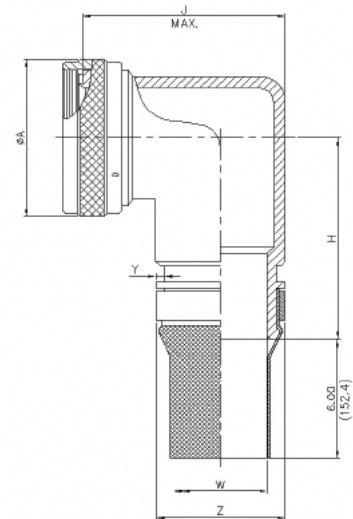
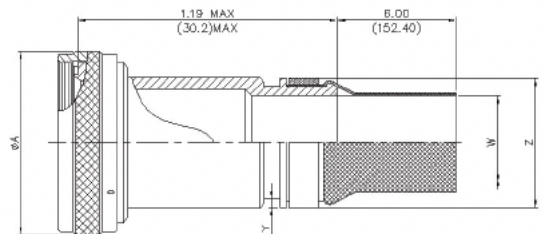


TABLE-B

Entry Size	W ±0.020 (0.51)		Y +0.008(0.20) -0.00		Z Max.	
	inch	mm	inch	mm	inch	mm
01	0.250	6.350	0.044	1.12	0.56	14.22
02	0.312	7.920	0.044	1.12	0.63	16.00
03	0.375	9.530	0.044	1.12	0.69	17.53
04	0.438	11.130	0.044	1.12	0.75	19.05
05	0.500	12.700	0.044	1.12	0.82	20.83
06	0.562	14.270	0.044	1.12	0.89	22.61
07	0.625	15.880	0.044	1.12	0.95	24.13
08	0.688	17.480	0.044	1.12	1.02	25.91
09	0.750	19.050	0.069	1.75	1.07	27.18
10	0.812	20.620	0.069	1.75	1.13	28.70
11	0.875	22.230	0.069	1.75	1.19	30.23
12	0.938	23.830	0.069	1.75	1.26	32.00
13	1.000	25.400	0.069	1.75	1.32	33.53



Straight

M22992, Class C, J, & R

M85049	59	W	12
SERIES	SLASH #	FINISH	ADAPTER SIZE
	59: Straight	A: Aluminum, Black Anodize W: Aluminum, Cadmium Olive Drab Z: Aluminum, Zinc Nickel	12 14 16 18 20 22 24 28 32 36 40 44

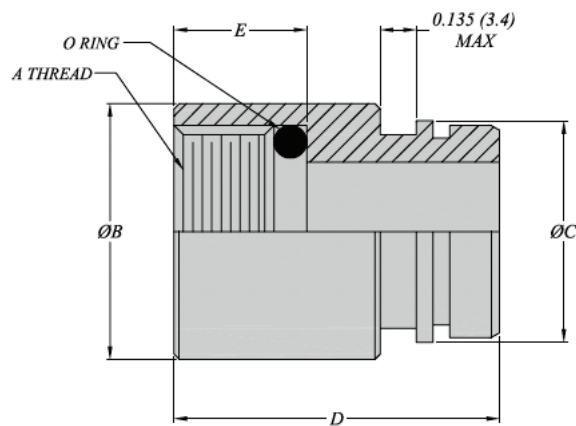


TABLE-A

Adapter Size #	A THREAD UNEF CLASS 2B-LH	ØB ±0.010 (0.25)		ØC ±0.010 (0.25)		D ±0.031 (0.78)		E ±0.016 (0.40)	
		inch	mm	inch	mm	inch	mm	inch	mm
12	0.7500-20 UNEF	0.923	23.44	0.798	20.27	1.175	29.85	0.479	12.17
14	0.8750-20 UNEF	1.047	26.59	0.922	23.42	1.175	29.85	0.479	12.17
16	1.000-20 UNEF	1.172	29.77	1.048	26.62	1.175	29.85	0.479	12.17
18	1.125-18 UNEF	1.297	32.94	1.172	29.77	1.175	29.85	0.479	12.17
20	1.250-18 UNEF	1.422	36.12	1.297	32.94	1.175	29.85	0.479	12.17
22	1.375-18 UNEF	1.547	39.29	1.423	36.14	1.175	29.85	0.479	12.17
24	1.625-19 UNEF	1.787	45.39	1.662	42.21	1.175	29.85	0.479	12.17
28	1.875-16 UN	2.047	51.99	1.922	48.82	1.175	29.85	0.479	12.17
32	2.0625-16 UN	2.297	58.34	2.172	55.17	1.175	29.85	0.479	12.17
36	2.3125-16 UN	2.547	64.69	2.422	61.52	1.175	29.85	0.479	12.17
40	2.6250-16 UN	2.859	72.62	2.734	69.44	1.375	34.93	0.667	16.94
44	2.8750-16 UN	3.110	78.99	2.982	75.74	1.375	34.93	0.667	16.94

STRAIGHT; SPIN COUPLING

Connector Group J

MIL-DTL-26482 Series II; MIL-DTL-83723 Series III; AS50151; AS81703

M85049	/60-1	W	10
SERIES	SLASH #	FINISH	ACCESSORY SHELL SIZE
	60-1: Straight	A: Anodized Black N: Electroless Nickel W: Cadmium Olive Drab Z: Black Zinc Nickel	TABLE A

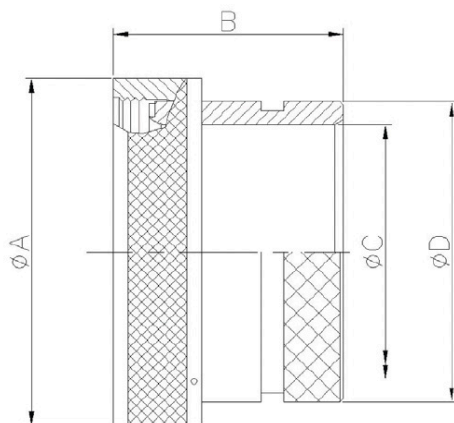


TABLE A

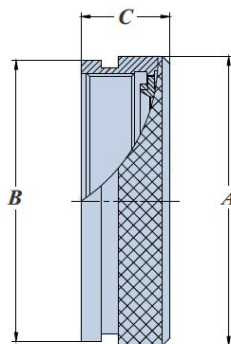
Accessory Shell Size	Connector Shell Size	A Ø Max.		B Max.		CØ Min.		D Ø Max.	
		inch	mm	inch	mm	inch	mm	inch	mm
8	8	0.62	15.67	1.19	30.15	0.25	6.35	0.53	13.54
10	10	0.73	18.64	1.19	30.15	0.36	9.02	0.61	15.37
12	7/12	0.86	21.79	1.19	30.15	0.49	12.47	0.77	19.66
14	12/14	0.98	24.99	1.19	30.15	0.57	14.35	0.84	21.29
16	19/16	1.11	28.24	1.19	30.15	0.69	17.53	0.96	24.46
18	27/18	1.22	30.94	1.19	30.15	0.77	19.53	1.04	26.47
20	37/20	1.35	34.16	1.19	30.15	0.89	22.71	1.22	30.91
22	22	1.47	37.29	1.19	30.15	1.02	25.88	1.36	34.42
24	24	1.59	40.46	1.19	30.15	1.13	28.80	1.44	36.65
28	28	1.97	50.01	1.51	38.38	1.37	34.77	1.71	43.41
32	32	2.22	56.36	1.51	38.38	1.62	41.02	1.92	48.74
36	36	2.47	62.71	1.51	38.38	1.83	46.48	2.17	55.09
40	40	2.72	69.06	1.51	38.38	2.05	51.94	2.40	61.01
44	44	2.97	75.41	1.51	38.38	2.30	58.42	2.66	67.49
48	48	3.22	81.76	1.51	38.38	2.55	64.77	2.91	73.84

STRAIGHT; SPIN COUPLING

Connector Group J

MIL-DTL-26482; MIL-DTL-83723; AS5015; AS81703

M85049	/60-2G	W	10
SERIES	SLASH #	FINISH	DASH #
	/60-2G: Straight	A: Anodized Black N: Electroless Nickel W: Cadmium Olive Drab Z: Black Zinc Nickel	TABLE A



DASH #	Connector Shell Size	A Ø	B Ø Max.		C Ø Max.		D Max.	
			inch	mm	inch	mm	inch	mm
8	8	0.500-20 UNF	0.688	17.48	0.657	16.69	0.540	13.7
10	10	0.625-24 UNEF	0.803	20.40	0.774	19.66	0.540	13.7
12	7/12	0.750-20 UNEF	0.938	23.83	0.898	22.81	0.540	13.7
14	12/14	0.875-20 UNEF	1.063	27.00	1.024	26.01	0.540	13.7
16	19/16	1.000-20 UNEF	1.238	31.45	1.152	29.26	0.540	13.7
18	27/18	1.0625-18UNEF	1.310	33.27	1.243	31.57	0.540	13.7
20	37/20	1.1875-18UNEF	1.436	36.47	1.370	34.80	0.540	13.7
22	22	1.3125-18UNEF	1.560	39.62	1.443	36.65	0.540	13.7
24	24	1.4375-18UNEF	1.686	42.82	1.618	41.10	0.540	13.7
28	28	1.750-18UNS	2.062	52.37	1.969	50.01	0.702	17.8
32	32	2.000-18UNS	2.312	58.72	2.219	56.36	0.702	17.8
36	36	2.250-16UN	2.562	65.07	2.469	62.71	0.702	17.8
40	40	2.500-16UN	2.812	71.42	2.719	69.06	0.702	17.8
44	44	2.750-16UN	3.062	77.77	2.969	75.41	0.702	17.8
48	48	3.000-16UN	3.312	84.12	3.219	81.76	0.702	17.8

STRAIGHT; SPIN COUPLING

Connector Group K

MIL-DTL-38999 Series I & II

M85049	/62	10	W	D
SERIES	SLASH #	DASH #	FINISH	D: Drain Hole
	62: Straight	Table A	A: Anodized Black N: Electroless Nickel W: Cadmium Olive Drab Z: Black Zinc Nickel	

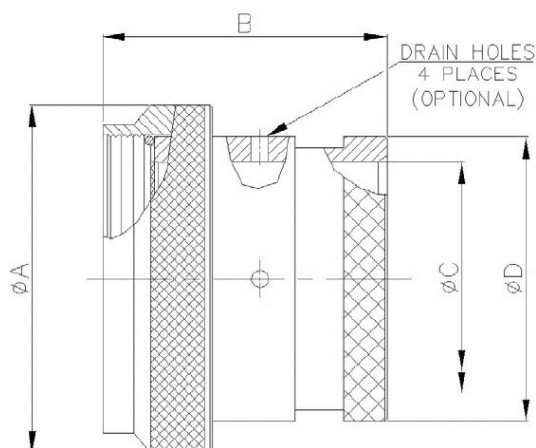


TABLE A

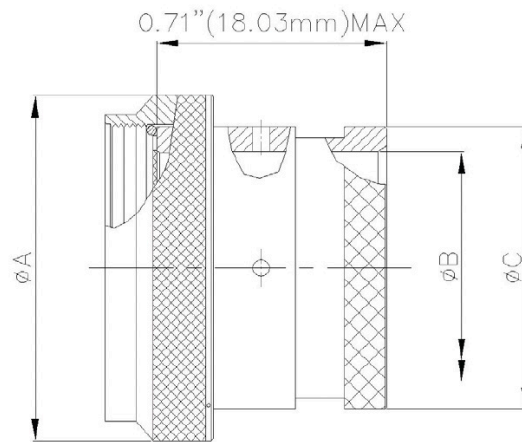
DASH #	Connector Shell Size	A Ø Max.		B Max.		C Ø Min.		D Ø Max.	
		inch	mm	inch	mm	inch	mm	inch	mm
08	8 / 9	0.75	19.05	1.00	25.40	0.25	6.35	0.53	13.54
10	10 / 11	0.85	21.59	1.00	25.40	0.38	9.53	0.61	15.37
12	12 / 13	1.00	25.40	1.00	25.40	0.50	12.70	0.77	19.66
14	14 / 15	1.10	27.94	1.00	25.40	0.63	15.88	0.84	21.29
16	16 / 17	1.25	31.75	1.00	25.40	0.75	19.05	0.96	24.46
18	18 / 19	1.40	35.56	1.00	25.40	0.81	20.62	1.04	26.47
20	20 / 21	1.50	38.10	1.00	25.40	0.94	23.80	1.22	30.91
22	22 / 23	1.65	41.91	1.00	25.40	1.06	26.97	1.36	34.42
24	24 / 25	1.75	44.45	1.00	25.40	1.19	30.18	1.44	36.65

STRAIGHT; SPIN COUPLING

Connector Group L

MIL-DTL-38999 Series III & IV

M85049	/69	11	W	D
SERIES	SLASH #	ACCESSORY SHELL SIZE	FINISH	D: Drain Hole
	69: Straight	Table A	A: Anodized Black N: Electroless Nickel W: Cadmium Olive Drab Z: Black Zinc Nickel	



Accessory Shell Size	Connector Shell Size	A Ø Max.		B Max.		C Ø Max.	
		inch	mm	inch	mm	inch	mm
9	9 / A	0.75	19.05	0.25	6.35	0.53	13.54
11	11 / B	0.85	21.59	0.38	9.53	0.61	15.37
13	13 / C	1.00	25.40	0.50	12.70	0.77	19.66
15	15 / D	1.15	29.21	0.63	15.88	0.84	21.29
17	17 / E	1.25	31.75	0.75	19.05	0.96	24.46
19	19 / F	1.40	35.56	0.81	20.62	1.04	26.47
21	21 / G	1.55	39.37	0.94	23.80	1.22	30.91
23	23 / H	1.65	41.91	1.06	26.97	1.36	34.42
25	25 / J	1.85	46.99	1.19	30.18	1.44	36.65

STRAIGHT; 90°

Connector Group L

MIL-DTL-38999 Series III & IV

M85049	/91	-	09	T
SERIES	SLASH #	DASH #	ACCESSORY SHELL SIZE	FINISH
	91: Straight 92: 90°	-: Detented	Table A	T: Unfinishe

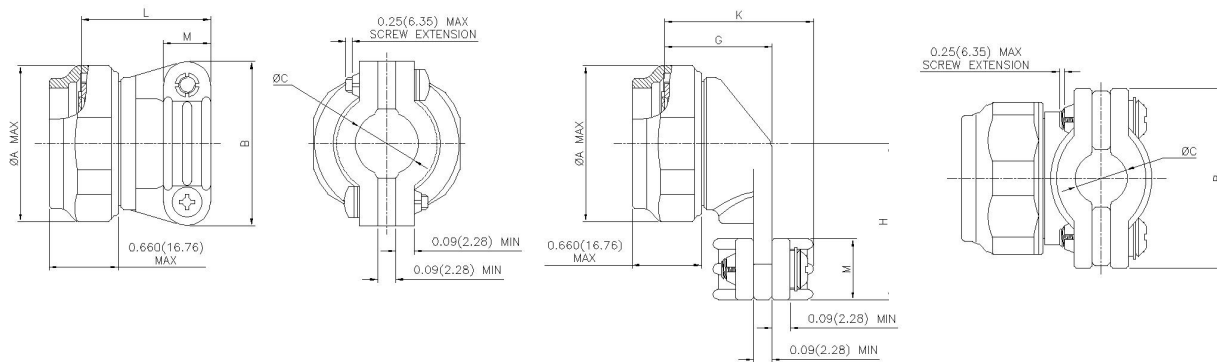


TABLE-A

Accessory Shell Size	Screw Size	A Ø Max.		B Ø Max.		C Max. ±0.031(0.78)		L Max.		H ±0.062(1.57)		K Max. ±0.03(0.76)		M		G Max.	
		inch	mm	inch	mm	inch	mm	inch	mm	inch	mm	inch	mm	inch	mm	inch	mm
09	4-40	0.858	21.79	0.980	24.89	0.219	5.56	0.840	21.34	0.875	22.23	1.060	26.92	0.375	9.53	0.769	19.53
11	4-40	0.984	24.99	1.050	26.67	0.264	6.71	0.960	24.38	0.937	23.80	1.100	27.94	0.375	9.53	0.792	20.12
13	6-32	1.157	29.39	1.200	30.48	0.344	8.74	1.100	27.94	1.031	26.19	1.180	29.97	0.406	10.31	0.847	21.51
15	6-32	1.280	32.51	1.300	33.02	0.460	11.68	1.100	27.94	1.125	28.58	1.300	33.02	0.406	10.31	0.890	22.61
17	6-32	1.406	35.71	1.420	36.07	0.545	13.84	1.230	31.24	1.312	33.32	1.380	35.05	0.406	10.31	0.941	23.90
19	6-32	1.516	38.51	1.520	38.61	0.615	15.62	1.410	35.81	1.375	34.93	1.450	36.83	0.406	10.31	0.972	24.69
21	6-32	1.642	41.71	1.640	41.66	0.698	17.73	1.510	38.35	1.500	38.10	1.540	39.12	0.406	10.31	1.009	25.63
23	6-32	1.768	44.91	1.770	44.96	0.780	19.81	1.660	42.16	1.625	41.28	1.620	41.15	0.406	10.31	1.050	26.67
25	6-32	1.890	48.01	1.890	48.01	0.850	21.59	1.760	44.70	1.750	44.45	1.690	42.93	0.406	10.31	1.085	27.56

STRAIGHT; 90°; SELF-LOCK/SPIN

Connector Group L

MIL-DTL-38999 Series III & IV

M85049	/38	-	11	W
SERIES	SLASH #	COUPLING	ACCESSORY SHELL SIZE	MATERIAL/FINISH
	38: Straight 39: 90°	S: Self Lock -: Spin	Table A	A: Aluminum Alloy/Hard Anodized Black N: Aluminum Alloy/ Electroless Nickel W: Aluminum Alloy/ Cadmium Olive Drab S: Stainless Steel/Passivate

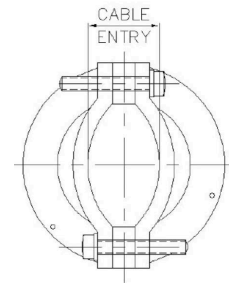
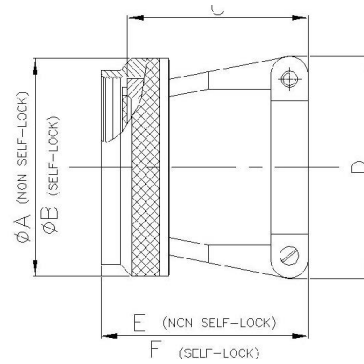
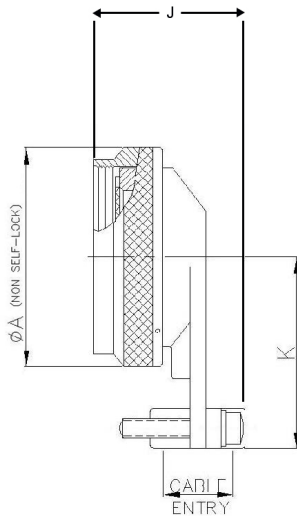


TABLE A

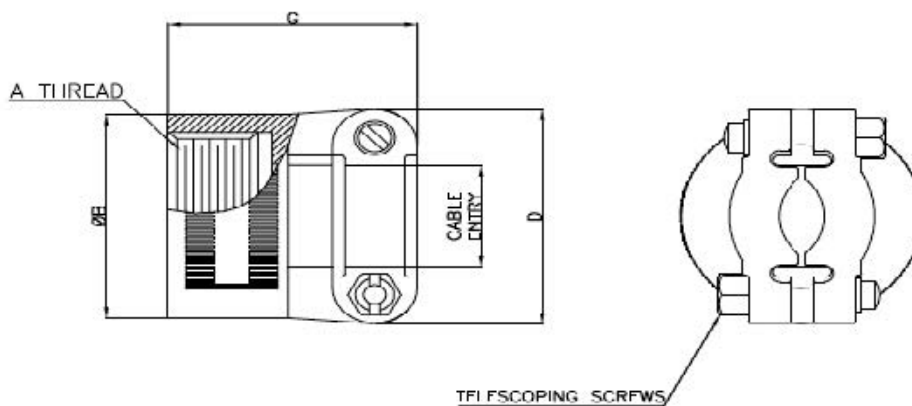
Accessory Shell Size	Shell Size Code	A Ø Max.		B Max.		C Max. (/38)		D Max.		E Max.		F Max.		J Max.		K Max.		Cable Entry			
																		Min.		Max.	
		inch	mm	inch	mm	inch	mm	inch	mm	inch	mm	inch	mm	inch	mm	inch	mm	inch	mm	inch	mm
9	9 / A	0.75	19.05	0.86	21.82	0.91	23.11	0.85	21.59	1.10	27.94	1.21	30.73	1.31	33.27	1.00	25.40	0.10	2.49	0.23	5.94
11	11 / B	0.85	21.59	0.98	24.99	0.91	23.11	0.90	22.86	1.10	27.94	1.21	30.73	1.31	33.27	1.10	27.94	0.15	3.89	0.23	5.94
13	13 / C	1.00	25.40	1.16	29.36	1.01	25.65	1.10	27.94	1.20	30.48	1.31	33.27	1.51	38.35	1.10	27.94	0.19	4.83	0.33	8.33
15	15 / D	1.10	27.94	1.28	32.54	1.06	26.92	1.15	29.21	1.25	31.75	1.35	34.29	1.55	39.37	1.25	31.75	0.26	6.60	0.46	11.61
17	17 / E	1.25	31.75	1.41	35.71	1.16	29.46	1.30	33.02	1.36	34.44	1.45	36.83	1.71	43.43	1.30	33.02	0.28	7.19	0.61	15.60
19	19 / F	1.40	35.56	1.52	38.51	1.41	35.81	1.50	38.10	1.60	40.64	1.71	43.43	1.81	45.97	1.35	34.29	0.33	8.26	0.63	16.10
21	21 / G	1.50	38.10	1.64	41.68	1.51	38.35	1.60	40.64	1.70	43.21	1.81	45.97	1.95	49.53	1.60	40.64	0.34	8.71	0.70	17.73
23	23 / H	1.65	41.91	1.77	44.86	1.66	42.16	1.70	43.18	1.85	46.99	1.95	49.53	2.10	53.34	1.75	44.45	0.38	9.68	0.82	20.90
25	25 / J	1.75	44.45	1.89	48.03	1.76	44.70	1.80	45.72	1.95	49.56	2.05	52.07	2.21	56.13	1.85	46.99	0.42	10.62	0.85	21.67

STRAIGHT; SPIN COUPLING

Supersedes AS3057-xxA

M85049	/41	-3A
SERIES	SLASH #	DASH #
	41: Straight	Table A

* All QPL M85049/41 backshells are offered in cadmium.



DASH #	Connector Shell Size	A Thread.	D Max.		E Max.		F Max.		G Max.		Cable Entry	
			inch	mm	inch	mm	inch	mm	inch	mm	inch	mm
3A	8 10	0.500-28 UNEF-2B	0.406	10.3	0.688	17.5	0.812	20.6	0.812	20.6	0.25	6.4
4A	10, 12, 12	0.625-24 UNEF-2B	0.406	10.3	0.812	20.6	0.875	22.2	0.812	20.6	0.312	7.9
6A	14, 14	0.750-20 UNEF-2B	0.406	10.3	0.969	24.6	1.062	27.0	0.875	22.2	0.438	11.1
8A	16, 16	0.875-20 UNEF-2B	0.406	10.3	1.094	27.8	1.156	29.4	0.938	23.8	0.562	14.3
10A	18	1.000-20 UNEF-2B	0.406	10.3	1.188	30.2	1.250	31.8	0.938	23.8	0.625	15.9
12A	20, 22	1.188-18 UNEF-2B	0.406	10.3	1.375	34.9	1.469	37.3	0.938	23.8	0.750	19.1
16A	24, 28	1.438-18 UNEF-2B	0.406	10.3	1.656	42.1	1.688	42.9	1.031	26.2	0.938	23.8
20A	32	1.750-18 UNS-2B	0.469	11.9	2.031	51.6	2.031	51.6	1.094	27.8	1.250	31.8
24A	36	2.000-18 UNS-2B	0.531	13.5	2.219	56.4	2.281	57.9	1.156	29.4	1.375	34.9
28A	40	2.250-16 UN-2B	0.531	13.5	2.500	63.5	2.688	68.3	1.688	42.9	1.625	41.3
32A	44	2.500-16 UN-2B	0.594	15.1	2.781	70.6	2.938	74.6	1.750	44.5	1.875	47.6
40A	48	3.000-16 UN-2B	0.656	16.7	3.281	83.3	3.500	88.9	1.750	44.5	2.375	60.3

STRAIGHT; Direct Coupling

AS50151 Solder type; Vthread MS310X classes A, B, C, or K

M85049	/42	-10D	W
SERIES	SLASH #	DASH #	FINISH
	42: Straight	Table A	N: Electroless Nickel W: Cadmium Olive Drab Z: Black Zinc Nickel

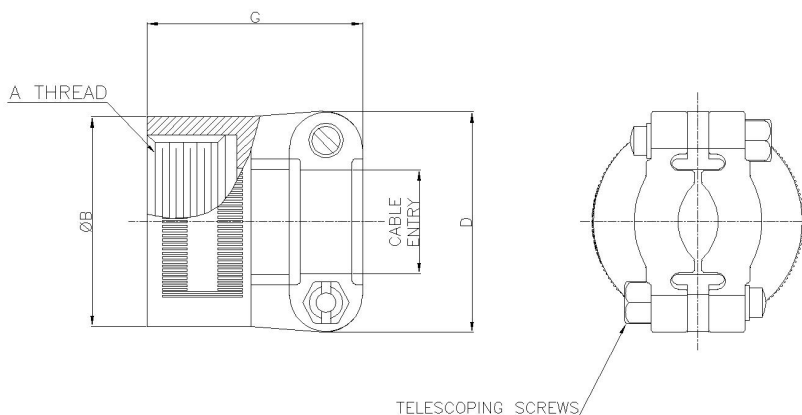


TABLE A

DASH #	A Thread. Class 2B	B Max.		D Max.		G Max.		Cable Entry			
								Min.		Max.	
		inch	mm	inch	mm	inch	mm	inch	mm	inch	mm
4D	0.625-24UNEF	0.937	23.80	0.937	23.80	1.281	32.54	0.125	3.18	0.312	7.92
6D	0.750-20UNEF	1.031	26.19	1.125	28.58	1.281	32.54	0.250	6.35	0.437	11.10
8D	0.875-20UNEF	1.250	31.75	1.312	33.32	1.281	32.54	0.312	7.92	0.562	14.27
10D	1.000-20UNEF	1.250	31.75	1.312	33.32	1.281	32.54	0.350	8.89	0.625	15.88
12D	1.1875-18UNEF	1.437	36.50	1.531	38.89	1.312	33.32	0.500	12.70	0.750	19.05
16D	1.4375-18UNEF	1.688	42.88	1.750	44.45	1.406	35.71	0.625	15.88	0.937	23.80
20D	1.750-18UNS	2.000	50.80	2.093	53.16	1.593	40.46	0.875	22.23	1.250	31.75
24D	2.000-18UNS	2.250	57.15	2.343	59.51	1.625	41.28	1.000	25.40	1.375	34.93
28D	2.250-16UN	2.500	63.50	2.750	69.85	1.900	48.26	1.250	31.75	1.625	41.28
32D	2.500-16UN	2.750	69.85	3.000	76.20	1.900	48.26	1.437	36.50	1.875	47.63
32A	44	1.875	47.6	0.594	15.1	2.781	70.6	2.938	74.6	1.750	44.5
40A	48	2.375	60.3	0.656	16.7	3.281	83.3	3.500	88.9	1.750	44.5

45°; SELF-LOCK/SPIN

Connector Group J

MIL-DTL-26482 Series II; MIL-DTL-83723 Series III; AS50151; AS81703

M85049	/43	-	10	W
SERIES	SLASH #	COUPLING	DASH #	FINISH
	43: 45°	S: Self Lock -: Spin N: Non-detented Self-Locking	Table A	A: Hard Anodized Black N: Electroless Nickel W: Cadmium Olive Drab Z: Black Zinc Nickel S: Stainless Steel (Material), Passivate

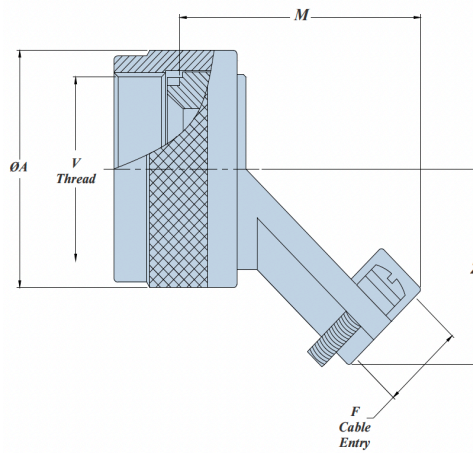


TABLE-A															
DASH #	V R.H. THREAD CLASS 2B	Self-Locking				NON - SELF - LOCKING				CABLE ENTRY				Z MAX	
		ØAMAX		M MAX		ØAMAX		M MAX		MAX		MIN		inch	mm
		inch	mm	inch	mm	inch	mm	inch	mm	inch	mm	inch	mm		
3	0.5625-24 UNEF	-	-	-	-	0.699	17.75	1.160	29.46	0.204	5.18	0.125	3.18	0.772	19.61
8	0.500-20 UNF	0.885	22.48	1.320	33.53	0.617	15.67	1.160	29.46	0.204	5.18	0.125	3.18	0.772	19.61
10	0.625-24 UNEF	1.010	25.65	1.364	34.65	0.734	18.64	1.204	30.58	0.286	7.26	0.187	4.75	0.803	20.40
12	0.750-20 UNEF	1.135	28.83	1.438	36.53	0.858	21.79	1.278	32.46	0.416	10.57	0.291	7.39	0.866	22.00
14	0.870-20 UNEF	1.260	32.00	1.480	37.59	0.984	24.99	1.320	33.53	0.476	12.09	0.351	8.92	0.928	#SPILL!
16	1.000-20 UNEF	1.385	35.18	1.586	40.28	1.112	28.24	1.426	36.22	0.626	15.90	0.501	12.73	0.991	25.17
18	1.0625-18 UNEF	1.510	38.35	1.704	43.28	1.218	30.94	1.544	39.22	0.706	17.93	0.518	13.16	1.110	28.19
20	1.1875-18 UNEF	1.635	41.53	1.748	44.40	1.345	34.16	1.588	40.34	0.831	21.11	0.581	14.76	1.172	29.77
22	1.312-18 UNEF	1.760	44.70	1.792	45.52	1.468	37.29	1.632	41.45	0.956	24.28	0.644	16.36	1.235	31.37
24	1.4375-18 UNEF	1.885	47.88	1.836	46.63	1.593	40.46	1.676	42.57	1.081	27.46	0.706	17.93	1.297	32.94
28	1.750-18 UNS	2.135	54.23	1.961	49.81	1.969	50.01	1.801	45.75	1.187	30.15	0.750	19.05	1.543	39.19
32	2.000-18 UNS	2.395	60.83	2.049	52.04	2.219	56.36	1.889	47.98	1.250	31.75	0.875	22.23	1.668	42.37
36	2.250-16 UN	2.635	66.93	2.093	53.16	2.469	62.71	1.933	49.10	1.375	34.93	0.938	23.83	1.793	45.54
40	2.500-16 UN	2.885	73.28	2.094	53.19	2.719	69.06	1.934	49.12	1.500	38.10	0.938	23.83	1.918	48.72
44	2.750-16UN	3.135	79.63	2.360	59.94	2.969	75.41	2.200	55.88	1.750	44.45	1.188	30.18	2.132	54.15
48	3.00-16 UN	3.385	85.98	2.448	62.18	3.219	81.76	2.288	58.12	1.875	47.63	1.312	33.32	2.257	57.33
61*	1.500-18 UNEF	-	-	-	-	1.653	41.99	1.676	42.57	1.081	27.46	0.706	17.93	1.204	30.58

90°; SELF-LOCK/SPIN

Connector Group J

MIL-DTL-26482 Series II; MIL-DTL-83723 Series III; AS50151; AS81703

M85049	/51	S	10	W
SERIES	SLASH #	COUPLING	DASH #	FINISH
	51: 90°	S: Self Lock N: Non-detented Self-Locking -1: Spin	Table A	A: Hard Anodized Black N: Electroless Nickel W: Cadmium Olive Drab S: Stainless Steel (Material), Passivate

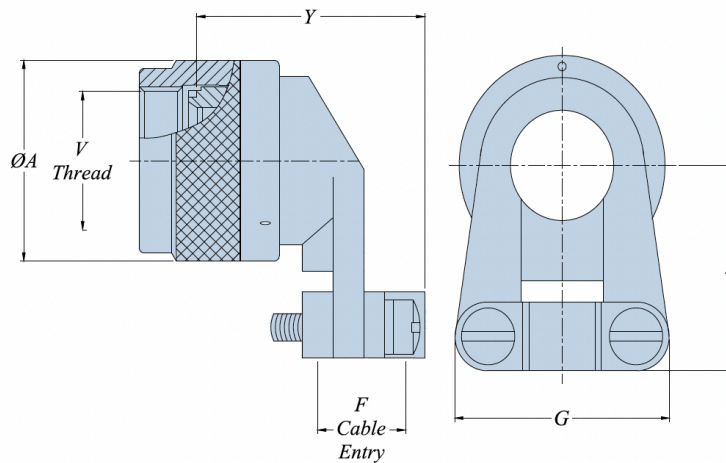


TABLE-A

DASH #	V R.H. THREAD CLASS 2B	SELF - LOCKING				NON - SELF - LOCKING				CABLE ENTRY				Z MAX ±0.062(1.57)		G MAX	
		ØAMAX		Y MAX		ØAMAX		Y MAX		MAX		MIN		inch	mm	inch	mm
		inch	mm	inch	mm	inch	mm	inch	mm	inch	mm	inch	mm				
3	0.5625-24 UNEF	-	-	-	-	0.699	17.75	0.780	19.81	0.204	5.18	0.125	3.18	0.777	19.74	0.782	19.86
8	0.500-20 UNF	0.885	22.48	0.930	23.62	0.617	15.67	0.780	19.81	0.204	5.18	0.125	3.18	0.746	18.95	0.782	19.86
10	0.625-24 UNEF	1.010	25.65	1.020	25.91	0.734	18.64	0.860	21.84	0.286	7.26	0.187	4.75	0.805	20.45	0.862	21.89
12	0.750-20 UNEF	1.135	28.83	1.210	30.73	0.858	21.79	1.050	26.67	0.416	10.57	0.291	7.39	0.867	22.02	1.003	25.48
14	0.870-20 UNEF	1.260	32.00	1.270	32.26	0.984	24.99	1.110	28.19	0.476	12.09	0.351	8.92	0.930	23.62	1.061	26.95
16	1.000-20 UNEF	1.385	35.18	1.420	36.07	1.112	28.24	1.260	32.00	0.626	15.90	0.501	12.73	0.944	23.98	1.334	33.88
18	1.0625-18 UNEF	1.510	38.35	1.530	38.86	1.218	30.94	1.370	34.80	0.706	17.93	0.518	13.16	1.171	29.74	1.466	37.24
20	1.1875-18 UNEF	1.635	41.53	1.650	41.91	1.345	34.16	1.500	38.10	0.831	21.11	0.581	14.76	1.234	31.34	1.572	39.93
22	1.312-18 UNEF	1.760	44.70	1.780	45.21	1.468	37.29	1.620	41.15	0.956	24.28	0.644	16.36	1.296	32.92	1.688	42.88
24	1.4375-18 UNEF	1.885	47.88	1.900	48.26	1.593	40.46	1.750	44.45	1.081	27.46	0.706	17.93	1.358	34.49	1.790	45.47
28	1.750-18 UNS	2.135	54.23	2.200	55.88	1.969	50.01	1.890	48.01	1.187	30.15	0.750	19.05	1.572	39.93	2.035	51.69
32	2.000-18 UNS	2.395	60.83	2.270	57.66	2.219	56.36	1.950	49.53	1.250	31.75	0.875	22.23	1.797	45.64	2.386	60.60
36	2.250-16 UN	2.635	66.93	2.390	60.71	2.469	62.71	2.070	52.58	1.375	34.93	0.938	23.83	1.922	48.82	2.496	63.40
40	2.500-16 UN	2.885	73.28	2.520	64.01	2.719	69.06	2.200	55.88	1.500	38.10	0.938	23.83	2.047	51.99	2.566	65.18
44	2.750-16UN	3.135	79.63	2.770	70.36	2.969	75.41	2.450	62.23	1.750	44.45	1.188	30.18	2.296	58.32	2.860	72.64
48	3.00-16 UN	3.385	85.98	2.890	73.41	3.219	81.76	2.570	65.28	1.875	47.63	1.312	33.32	2.421	61.49	3.344	84.94
61*	1.500-18 UNEF	-	-	-	-	1.653	41.99	1.750	44.45	1.081	27.46	0.706	17.93	1.388	35.26	1.775	45.09

STRAIGHT; SELF-LOCK/SPIN

Connector Group J

MIL-DTL-26482 Series II; MIL-DTL-83723 Series III; AS50151; AS81703

M85049	/52	-	10	W
SERIES	SLASH #	COUPLING	DASH #	FINISH
	52: Straight	S: Self Lock N: Non-detented Self-Locking -1: Spin	Table A	A: Hard Anodized Black N: Electroless Nickel W: Cadmium Olive Drab S: Stainless Steel (Material), Passivate

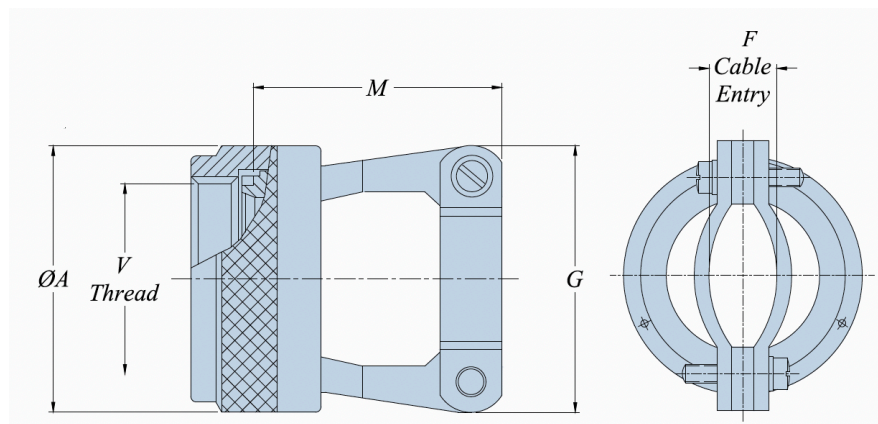


TABLE-A (52)															
DASH #	V R.H. THREAD CLASS 2B	Self-Locking				NON - SELF - LOCKING				CABLE ENTRY				G MAX	
		ØAMAX		M MAX		ØAMAX		M MAX		MAX		MIN		inch	mm
		inch	mm	inch	mm	inch	mm	inch	mm	inch	mm	inch	mm		
3	0.5625-24 UNEF	-	-	-	-	0.699	17.75	0.630	16.00	0.204	5.18	0.125	3.18	0.782	19.86
8	0.500-20 UNF	0.885	22.48	0.730	18.54	0.617	15.67	0.630	16.00	0.204	5.18	0.125	3.18	0.782	19.86
10	0.625-24 UNEF	1.010	25.65	0.850	21.59	0.734	18.64	0.740	18.80	0.286	7.26	0.187	4.75	0.862	21.89
12	0.750-20 UNEF	1.135	28.83	0.980	24.89	0.858	21.79	0.860	21.84	0.416	10.57	0.291	7.39	1.003	25.48
14	0.870-20 UNEF	1.260	32.00	0.980	24.89	0.984	24.99	0.860	21.84	0.476	12.09	0.351	8.92	1.061	26.95
16	1.000-20 UNEF	1.385	35.18	1.100	27.94	1.112	28.24	0.990	25.15	0.626	15.90	0.501	12.73	1.334	33.88
18	1.0625-18 UNEF	1.510	38.35	1.350	34.29	1.218	30.94	1.240	31.50	0.706	17.93	0.518	13.16	1.466	37.24
20	1.1875-18 UNEF	1.635	41.53	1.480	37.59	1.345	34.16	1.360	34.54	0.831	21.11	0.581	14.76	1.572	39.93
22	1.312-18 UNEF	1.760	44.70	1.600	40.64	1.468	37.29	1.490	37.85	0.956	24.28	0.644	16.36	1.688	42.88
24	1.4375-18 UNEF	1.885	47.88	1.730	43.94	1.593	40.46	1.610	40.89	1.081	27.46	0.706	17.93	1.790	45.47
28	1.750-18 UNS	2.135	54.23	1.880	47.75	1.969	50.01	1.760	44.70	1.187	30.15	0.750	19.05	2.035	51.69
32	2.000-18 UNS	2.395	60.83	2.130	54.10	2.219	56.36	1.950	49.53	1.250	31.75	0.875	22.23	2.386	60.60
36	2.250-16 UN	2.635	66.93	2.440	61.98	2.469	62.71	2.330	59.18	1.375	34.93	0.938	23.83	2.496	63.40
40	2.500-16 UN	2.885	73.28	2.630	66.80	2.719	69.06	2.510	63.75	1.500	38.10	0.938	23.83	2.566	65.18
44	2.750-16UN	3.135	79.63	3.000	76.20	2.969	75.41	2.890	73.41	1.750	44.45	1.188	30.18	2.860	72.64
48	3.00-16 UN	3.385	85.98	3.400	86.36	3.219	81.76	3.260	82.80	1.875	47.63	1.312	33.32	3.344	84.94
61*	1.500-18 UNEF	-	-	-	-	1.653	41.99	1.610	40.89	1.081	27.46	0.706	17.93	1.775	45.09

90°; SELF-LOCK/SPIN

Connector Group K

MIL-DTL-38999 Series I & II

M85049	/47	S	W	10
SERIES	SLASH #	COUPLING	MATERIAL/FINISH	DASH #
	47: 90°	S: Self Lock Omit for Spin	N: Aluminum Alloy/Electroless Nickel W: Aluminum Alloy/Cadmium S: Stainless Steel/Passivate	Table A

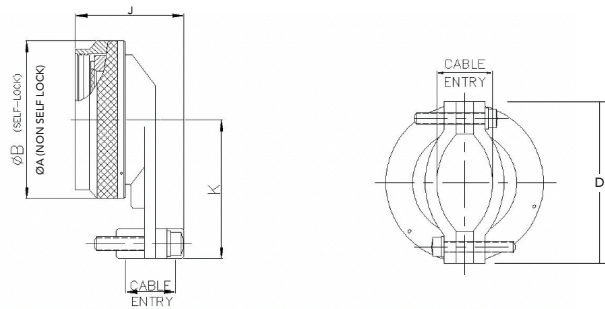


TABLE A

DASH #	Connector Shell Size	A Ø Max.		B Max.		D Max.		J. Max.		K. Max		Cable Entry			
												Min.		Max.	
		inch	mm	inch	mm	inch	mm	inch	mm	inch	mm	inch	mm	inch	mm
8	8 / 9	0.75	19.05	0.86	21.82	0.85	21.59	1.38	35.05	1.00	25.40	0.10	2.49	0.23	5.94
10	10 / 11	0.85	21.59	0.98	24.99	0.90	22.86	1.38	35.05	1.10	27.94	0.15	3.89	0.23	5.94
12	12 / 13	1.00	25.40	1.16	29.36	1.10	27.94	1.46	37.8	1.10	27.94	0.19	4.83	0.33	8.33
14	14 / 15	1.10	27.94	1.28	32.54	1.15	29.21	1.63	41.40	1.25	31.75	0.26	6.60	0.46	11.61
16	16 / 17	1.25	31.75	1.41	35.71	1.30	33.02	1.80	45.72	1.30	33.02	0.28	7.19	0.61	15.60
18	18 / 19	1.40	35.56	1.52	38.51	1.50	38.10	1.82	46.23	1.35	34.29	0.33	8.26	0.63	16.10
20	20 / 21	1.50	38.10	1.64	41.68	1.60	40.64	1.90	48.26	1.60	40.64	0.34	8.71	0.70	17.73
22	22 / 23	1.65	41.91	1.77	44.86	1.70	43.18	2.04	51.82	1.75	44.45	0.38	9.68	0.82	20.90
24	24 / 25	1.75	44.45	1.89	48.03	1.80	45.72	2.15	54.61	1.85	46.99	0.42	10.62	0.85	21.67

STRAIGHT; SELF-LOCK/SPIN

Connector Group K

MIL-DTL-38999 Series I & II

M85049	/49-2	-	10	W
SERIES	SLASH #	COUPLING	DASH #	MATERIAL/FINISH
	49-2: Straight	S: Self Lock -: Spin	Table A	A: Aluminum Alloy/Hard Anodized N: Aluminum Alloy/Electroless Nickel W: Aluminum Alloy/Cadmium Olive Drab S: Stainless Steel/Passivate

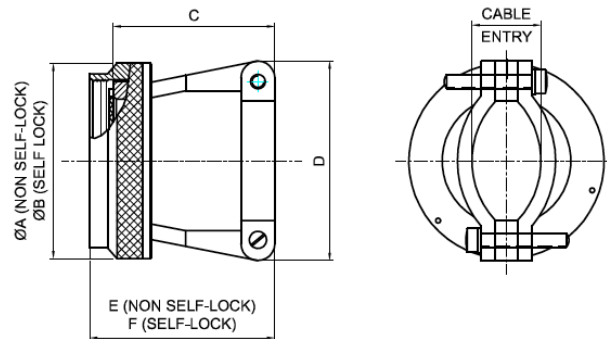


TABLE A

DASH #	Connector Shell Size	A Ø Max.		B Max.		C Max.		D Max.		E Max.		F Max.		Cable Entry			
														Min.		Max.	
		inch	mm	inch	mm	inch	mm	inch	mm	inch	mm	inch	mm	inch	mm	inch	mm
8	8/9	0.75	19.05	0.86	21.84	0.91	23.11	0.85	21.59	1.10	27.94	1.15	29.21	0.10	2.54	0.23	5.84
10	10/11	0.85	21.59	0.98	24.89	0.91	23.11	0.90	22.86	1.10	27.94	1.15	29.21	0.15	3.81	0.23	5.84
12	12/13	1.00	25.4	1.16	29.46	1.01	25.65	1.10	27.94	1.20	30.48	1.25	31.75	0.19	4.826	0.33	8.38
14	14/15	1.10	27.94	1.28	32.51	1.06	26.92	1.15	29.21	1.25	31.75	1.30	33.02	0.26	6.604	0.46	11.68
16	16/17	1.25	31.75	1.41	35.81	1.16	29.46	1.30	33.02	1.36	34.544	1.40	35.56	0.28	7.112	0.61	15.49
18	18/19	1.40	35.56	1.52	38.60	1.41	35.81	1.50	38.1	1.60	40.64	1.65	41.91	0.33	8.382	0.63	16.00
20	20/21	1.50	38.10	1.64	41.65	1.51	38.35	1.60	40.64	1.70	43.18	1.75	44.45	0.34	8.636	0.70	17.78
22	22/23	1.65	41.91	1.77	44.95	1.66	42.16	1.70	43.18	1.85	46.99	1.90	48.26	0.38	9.652	0.82	20.82
24	24/25	1.75	44.45	1.89	48.00	1.76	44.70	1.80	45.72	1.95	49.50	2.00	50.8	0.42	10.668	0.85	21.59

STRAIGHT; SELF-LOCK/SPIN

Connector Group J

MIL-DTL-26482 Series II; MIL-DTL-83723 Series III; AS50151; AS81703

M85049	/118	-	10	W
SERIES	SLASH #	COUPLING	DASH #	FINISH
	118: Straight	S: Self Lock -: Spin	Table A	N: Electroless Nickel W: Cadmium Olive Drab Z: Black Zinc Nickel A: Anodized, Black

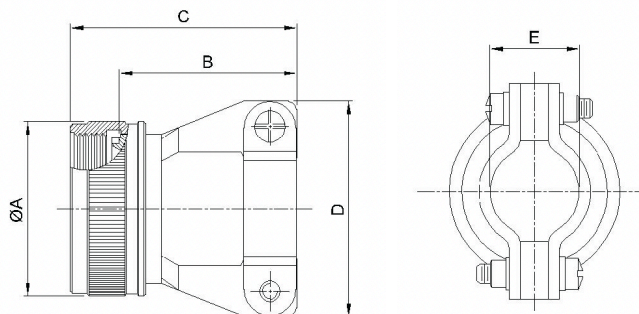


TABLE A

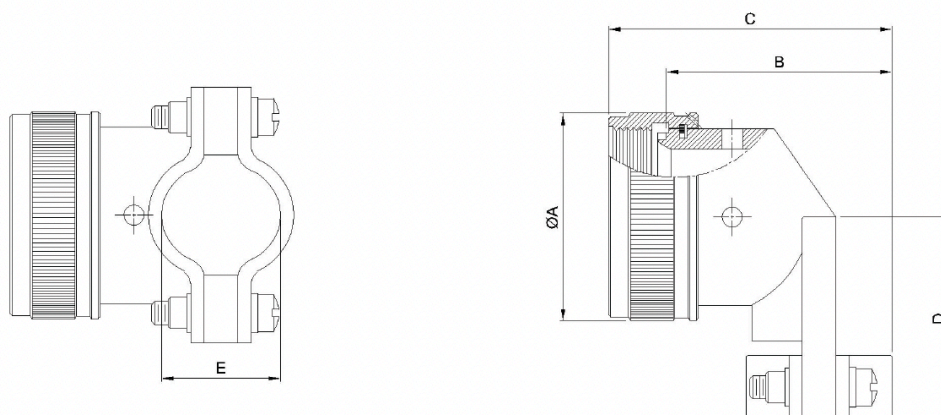
DASH #	Shell Size Code	A Ø Max.		B Max.		C Max.		D Max.		E Closed	
		inch	mm	inch	mm	inch	mm	inch	mm	±.031	±.787
										inch	mm
08	8S	0.89	22.61	0.77/0.51	19.56/12.95	1.14	28.96	0.88	22.35	0.22	5.56
10	10S, 10SL	1.01	25.65	0.89/0.64	22.61/16.26	1.25	31.75	0.94	23.88	0.26	6.71
12	12, 12S	1.14	28.96	1.01/0.76	25.65/19.30	1.38	35.05	1.12	28.45	0.34	8.74
14	14, 14S	1.26	32.00	1.01/0.76	25.65/19.30	1.38	35.05	1.19	30.23	0.46	11.68
16	16, 16S	1.39	35.31	1.13/0.88	28.70/22.35	1.50	38.10	1.44	36.58	0.55	13.84
18	18	1.51	38.35	1.38/1.13	35.05/28.70	1.75	44.45	1.56	39.62	0.62	15.62
20	20	1.64	41.66	1.51/1.25	38.35/31.75	1.88	47.75	1.69	42.93	0.69	17.53
22	22	1.76	44.70	1.62/1.38	41.15/35.05	2.00	50.80	1.75	44.45	0.78	19.81
24	24	1.89	48.01	1.76/1.51	44.70/38.35	2.13	54.10	1.88	47.75	0.85	21.59
28	28	2.14	54.36	2.03/1.67	51.56/42.42	2.56	65.02	2.12	53.85	0.95	24.13
32	32	2.40	60.96	2.28/1.87	57.91/47.50	2.81	71.37	2.50	63.50	1.02	25.78
36	36	2.64	67.06	2.53/2.22	64.26/56.39	3.06	77.72	2.62	66.55	1.19	30.15
40	40	2.89	73.41	2.63/2.41	66.80/61.21	3.16	80.26	2.68	68.07	1.22	30.99
44	44	3.14	79.76	3.00/2.80	76.20/71.12	3.53	89.66	3.00	76.20	1.50	38.10
48	48	3.39	86.11	3.40/3.20	86.36/81.28	3.93	99.82	3.50	88.90	1.63	41.28

STRAIGHT; SELF-LOCK/SPIN

Connector Group J

MIL-DTL-26482 Series II; MIL-DTL-83723 Series III; AS50151; AS81703

M85049	/120	-	10	W
SERIES	SLASH #	COUPLING	DASH #	FINISH
	120: 90°	S: Self Lock -: Spin	Table A	A: Hard Anodized Black N: Electroless Nickel W: Cadmium Olive Drab Z: Black Zinc Nickel



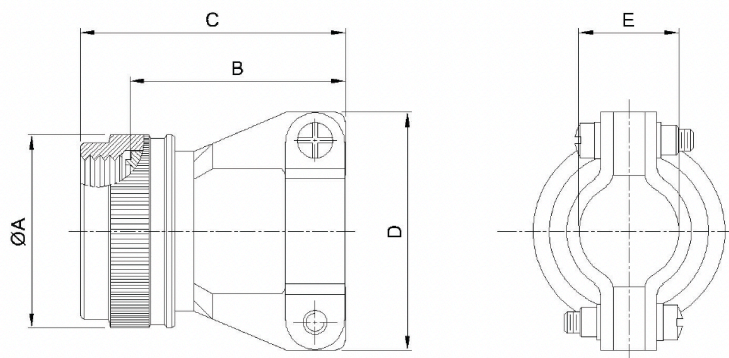
DASH #	Shell Size Code	A Ø Max.		B Max.		C Max.		D Max.		E Closed	
		inch	mm	inch	mm	inch	mm	inch	mm	±.031	±.787
8	8S	0.88	22.35	0.93	23.62	1.29	32.77	0.81	20.57	0.22	5.56
10	10S, 10SL	0.94	23.88	1.02	25.91	1.38	35.05	0.87	22.10	0.26	6.71
12	12, 12S	1.12	28.45	1.21	30.73	1.57	39.88	0.93	23.62	0.34	8.74
14	14, 14S	1.19	30.23	1.27	32.26	1.63	41.40	1.00	25.40	0.46	11.68
16	16, 16S	1.44	36.58	1.42	36.07	1.78	45.21	1.06	26.92	0.55	13.84
18	18	1.56	39.62	1.53	38.86	1.89	48.01	1.23	31.24	0.62	15.62
20	20	1.69	42.93	1.65	41.91	2.01	51.05	1.30	33.02	0.70	17.73
22	22	1.75	44.45	1.78	45.21	2.14	54.36	1.36	34.54	0.78	19.81
24	24	1.88	47.75	1.90	48.26	2.26	57.40	1.42	36.07	0.85	21.59
28	28	2.12	53.85	2.20	55.88	2.72	69.9	1.63	41.40	0.95	24.13
32	32	2.50	63.50	2.27	57.66	2.79	70.87	1.86	47.24	1.02	25.78

STRAIGHT; SELF-LOCK/SPIN

Connector Group K

MIL-DTL-38999 Series I & II

M85049	/121	-	10	W
SERIES	SLASH #	COUPLING	DASH #	FINISH
	121: Straight	S: Self Lock -: Spin	Table A	A: Hard Anodized Black N: Electroless Nickel W: Cadmium Olive Drab Z: Black Zinc Nickel



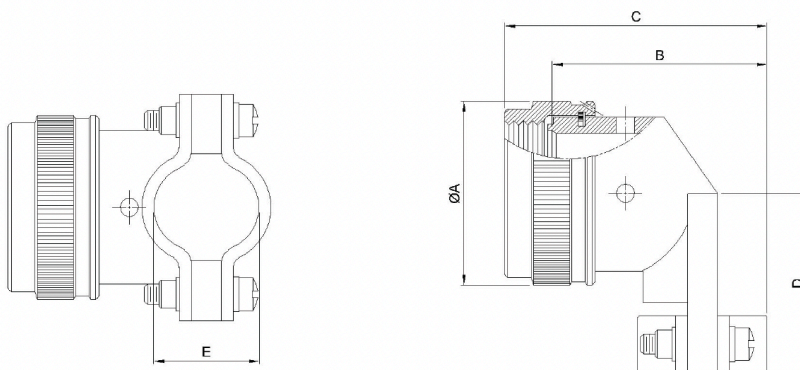
DASH #	A Ø Max.		B Max.		C Max.		D Max.		E Closed	
	inch	mm	inch	mm	inch	mm	inch	mm	±.031	±.787
									inch	mm
08	0.86	21.79	0.77/0.51	19.56/12.95	1.01	25.65	0.88	22.35	0.22	5.56
10	0.98	24.99	0.89/0.64	22.61/16.26	1.13	28.70	0.94	23.88	0.26	6.71
12	1.16	29.39	1.01/0.76	25.65/19.30	1.25	31.75	1.12	28.45	0.34	8.74
14	1.28	32.49	1.01/0.76	25.65/19.30	1.25	31.75	1.19	30.23	0.46	11.68
16	1.41	35.71	1.13/0.88	28.70/22.35	1.37	34.80	1.44	36.58	0.55	13.84
18	1.52	38.51	1.38/1.13	35.05/28.70	1.62	41.15	1.56	39.62	0.62	15.62
20	1.64	41.71	1.51/1.25	38.35/31.75	1.75	44.45	1.69	42.93	0.69	17.53
22	1.77	44.91	1.62/1.38	41.15/35.05	1.87	47.50	1.75	44.45	0.78	19.81
24	1.87	47.47	1.76/1.51	44.70/38.35	2.00	50.80	1.88	47.75	0.85	21.59

90°; SELF-LOCK/SPIN

Connector Group K

MIL-DTL-38999 Series I & II

M85049	/123	-	10	W
SERIES	SLASH #	COUPLING	DASH #	FINISH
	123: 90°	S: Self Lock -: Spin	Table A	A: Hard Anodized Black N: Electroless Nickel W: Cadmium Olive Drab Z: Black Zinc Nickel



DASH #	A Ø Max.		B Max.		C Max.		D Max.		E Closed	
	inch	mm	inch	mm	inch	mm	inch	mm	±.031 inch	±.787 mm
08	0.86	21.79	0.86	21.84	1.10	27.94	0.81	20.57	0.22	5.56
10	0.98	24.99	0.94	23.88	1.18	29.97	0.87	22.10	0.26	6.71
12	1.16	29.39	1.14	28.96	1.38	35.05	0.93	23.62	0.34	8.74
14	1.28	32.49	1.20	30.48	1.44	36.58	0.99	25.15	0.46	11.68
16	1.41	35.71	1.34	34.04	1.58	40.13	1.06	26.92	0.55	13.84
18	1.52	38.51	1.46	37.08	1.70	43.18	1.23	31.24	0.62	15.62
20	1.64	41.71	1.58	40.13	1.82	46.23	1.30	33.02	0.70	17.73
22	1.77	44.91	1.71	43.43	1.95	49.53	1.36	34.54	0.78	19.81
24	1.87	47.47	1.83	46.48	2.07	52.58	1.42	36.07	0.85	21.59

STRAIGHT; SELF-LOCK/SPIN

Connector Group L

MIL-DTL-38999 Series III & IV

M85049	/124	-	11	W
SERIES	SLASH #	COUPLING	DASH #	FINISH
	124: Straight	S: Self Lock -: Spin	Table A	A: Hard Anodized Black N: Electroless Nickel W: Cadmium Olive Drab Z: Black Zinc Nickel

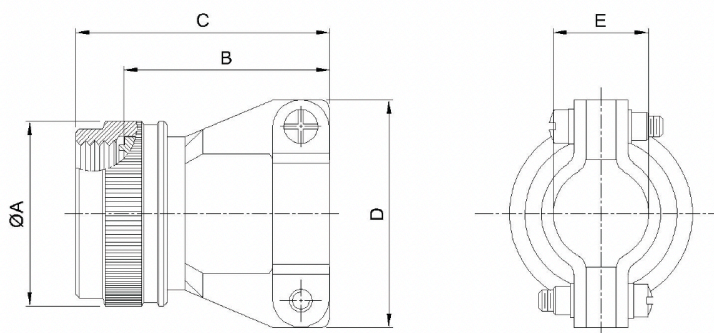


TABLE A

DASH #	Connector Shell Size	A Ø Max.		B Length		C Max.		D Max.		E Closed	
		inch	mm	inch	mm	inch	mm	inch	mm	±.031	±.787
09	A	0.86	21.79	0.77/0.51	19.56/12.95	1.01	25.65	0.88	22.35	0.22	5.56
11	B	0.98	24.99	0.89/0.64	22.61/16.26	1.13	28.70	0.94	23.88	0.26	6.71
13	C	1.16	29.39	1.01/0.76	25.65/19.30	1.25	31.75	1.12	28.45	0.34	8.74
15	D	1.28	32.49	1.01/0.76	25.65/19.30	1.25	31.75	1.19	30.23	0.46	11.68
17	E	1.41	35.71	1.13/0.88	28.70/22.35	1.37	34.80	1.44	36.58	0.55	13.84
19	F	1.52	38.51	1.38/1.13	35.05/28.70	1.62	41.15	1.56	39.62	0.62	15.62
21	G	1.64	41.71	1.51/1.25	38.35/31.75	1.75	44.45	1.69	42.93	0.69	17.53
23	H	1.77	44.91	1.62/1.38	41.15/35.05	1.87	47.50	1.75	44.45	0.78	19.81
25	J	1.87	47.47	1.76/1.51	44.70/38.35	2.00	50.80	1.88	47.75	0.85	21.59

STRAIGHT; 90°; SELF-LOCK/SPIN

Connector Group L

MIL-DTL-38999 Series III & IV

M85049	/126	-	11	W
SERIES	SLASH #	COUPLING	DASH #	FINISH
	126: 90°	S: Self Lock -: Spin	Table A	A: Hard Anodized Black N: Electroless Nickel W: Cadmium Olive Drab Z: Black Zinc Nickel

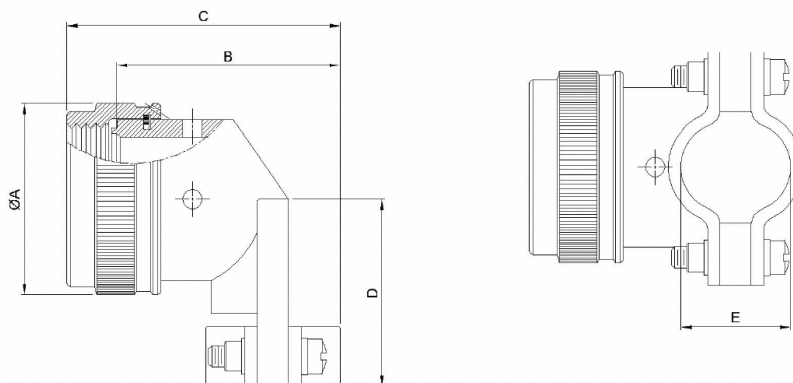


TABLE A

Connector Shell Size	Shell Size Code	A Ø Max.		B Length		C Max.		D Max.		E Closed	
		inch	mm	inch	mm	inch	mm	inch	mm	±.031	±.787
09	9 / A	0.86	21.79	0.77/0.51	19.56/12.95	1.01	25.65	0.88	22.35	0.22	5.56
11	11 / B	0.98	24.99	0.89/0.64	22.61/16.26	1.13	28.70	0.94	23.88	0.26	6.71
13	13 / C	1.16	29.39	1.01/0.76	25.65/19.30	1.25	31.75	1.12	28.45	0.34	8.74
15	15 / D	1.28	32.49	1.01/0.76	25.65/19.30	1.25	31.75	1.19	30.23	0.46	11.68
17	17 / E	1.41	35.71	1.13/0.88	28.70/22.35	1.37	34.80	1.44	36.58	0.55	13.84
19	19 / F	1.52	38.51	1.38/1.13	35.05/28.70	1.62	41.15	1.56	39.62	0.62	15.62
21	21 / G	1.64	41.71	1.51/1.25	38.35/31.75	1.75	44.45	1.69	42.93	0.69	17.53
23	23 / H	1.77	44.91	1.62/1.38	41.15/35.05	1.87	47.50	1.75	44.45	0.78	19.81
25	25 / J	1.87	47.47	1.76/1.51	44.70/38.35	2.00	50.80	1.88	47.75	0.85	21.59

STRAIGHT

Connector Group L

MIL-DTL-38999 Series III & IV

M85049	/147	S	11	W
SERIES	SLASH #	CONFIGURATION	ACCESSORY SHELL SIZE	FINISH
	147: Straight	N - Non Detent Self-Locking S - Detent Self-Locking	Table A	A: Hard Anodized Black N: Electroless Nickel W: Cadmium Olive Drab Z: Black Zinc Nickel

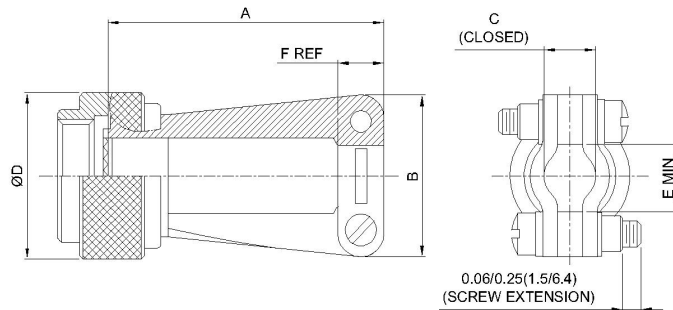


TABLE A

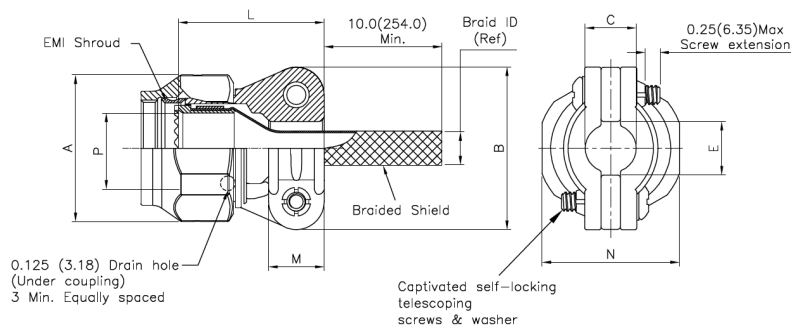
Accessory Shell Size	Connector Shell Size Code	A		B Max.		C Max.		D Max.		E Min.		F Ref.		Screw Size
		inch	mm	inch	mm	±.031	±.787	inch	mm	inch	mm	inch	mm	
						inch	mm							
09	A	1.35/1.41	34.3/35.8	0.92	23.4	0.219	5.56	0.858	21.79	0.22	5.6	0.25	6.4	4-40
11	B	1.47/1.53	37.3/38.9	0.97	24.6	0.264	6.71	0.984	24.99	0.27	6.9	0.25	6.4	4-40
13	C	1.60/1.66	40.6/42.2	1.19	30.2	0.344	8.74	1.157	29.39	0.35	8.9	0.25	6.4	4-40
15	D	1.60/1.66	40.6/42.2	1.31	33.3	0.460	11.68	1.279	32.49	0.47	11.9	0.25	6.4	4-40
17	E	1.72/1.78	43.7/45.2	1.44	36.6	0.545	13.84	1.406	35.71	0.55	14.0	0.25	6.4	4-40
19	F	1.97/2.03	50.0/51.6	1.56	39.6	0.615	15.62	1.516	38.51	0.62	15.7	0.38	9.7	6-32
21	G	2.09/2.15	53.1/54.6	1.69	42.9	0.698	17.73	1.642	41.71	0.70	17.8	0.38	9.7	6-32
23	H	2.22/2.28	56.4/57.9	1.75	44.5	0.780	19.81	1.768	44.91	0.78	19.8	0.38	9.7	6-32
25	J	2.35/2.41	59.7/61.2	1.88	47.8	0.850	21.59	1.869	47.47	0.85	21.6	0.38	9.7	6-32

Straight

Connector Group L

MIL-DTL-38999 Series III & IV

M85049	103	-11	N
SERIES	SLASH #	SHELL SIZE	LOCK
	103: Straight	09 11 13 15 17 19 21 23 25	N: Non-detent self locking (Omit for detented self locking)



Materials & Finish

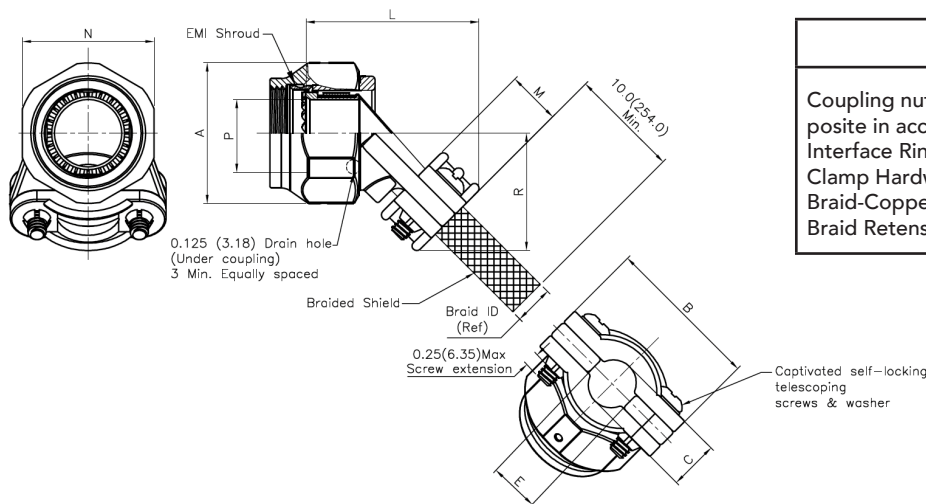
Coupling nut, strain relief, strap and self locking spring - composite in accordance with AS85049
 Interface Ring, EMI Shroud - Brass/Nickel plated
 Clamp Hardware - Stainless steel/passivated
 Braid-Copper/nickel plated
 Braid Retension device - Copper/Tin Plated

SHELL SIZE	ØA MAX		B Max		ØC		E Min		L Max			
	inch	mm	inch	mm	± 0.031	± 0.78	inch	mm	Min		Max	
					inch	mm			inch	mm	inch	mm
09	0.858	21.79	0.98	24.89	0.265	6.73	0.229	5.82	0.780	19.81	0.939	23.85
11	0.984	24.99	1.05	26.67	0.310	7.87	0.274	6.96	0.860	21.84	1.059	26.90
13	1.157	29.39	1.20	30.48	0.390	9.91	0.354	8.99	0.950	24.13	1.199	30.45
15	1.280	32.51	1.30	33.02	0.506	12.85	0.470	11.94	0.950	24.13	1.199	30.45
17	1.406	35.71	1.44	36.58	0.591	15.01	0.555	14.10	1.080	27.43	1.329	33.76
19	1.516	38.51	1.56	39.62	0.661	16.79	0.625	15.88	1.140	28.96	1.509	38.33
21	1.642	41.71	1.69	42.93	0.744	18.90	0.708	17.98	1.200	30.48	1.609	40.87
23	1.768	44.91	1.77	44.96	0.826	20.98	0.790	20.07	1.330	33.78	1.759	44.68
25	1.890	48.01	1.89	48.01	0.896	22.76	0.860	21.84	1.450	36.83	1.859	47.22

SHELL SIZE	M		N				P Min		Braid ID Ref		Screw Size
	±0.031	±0.78	Min		Max		inch	mm	inch	mm	
	inch	mm	inch	mm	inch	mm					
09	0.375	9.53	0.736	18.69	0.750	19.05	0.264	6.71	0.375	9.53	4-40
11	0.375	9.53	0.860	21.84	0.875	22.23	0.390	9.91	0.375	9.53	4-40
13	0.406	10.31	0.980	24.89	1.000	25.40	0.504	12.80	0.500	12.70	6-32
15	0.406	10.31	1.100	27.94	1.125	28.58	0.630	16.00	0.500	12.70	6-32
17	0.406	10.31	1.224	31.09	1.250	31.75	0.756	19.20	0.781	19.84	6-32
19	0.406	10.31	1.348	34.24	1.375	34.93	0.843	21.41	0.781	19.84	6-32
21	0.406	10.31	1.469	37.31	1.500	38.10	0.969	24.61	1.000	25.40	6-32
23	0.406	10.31	1.581	40.16	1.625	41.28	1.091	27.71	1.000	25.40	6-32
25	0.406	10.31	1.690	42.93	1.750	44.45	1.217	30.91	1.250	31.75	6-32

45° MIL-DTL-38999 Series III & IV Connector Group L

M85049	104	-11	N
SERIES	SLASH #	SHELL SIZE	LOCK
	104: 45°	09 11 13 15 17 19 21 23 25	N: Non-detent self locking (Omit for detented self locking)



Materials & Finish
Coupling nut, strain relief, strap and self locking spring - composite in accordance with AS85049
Interface Ring, EMI Shroud - Brass/Nickel plated
Clamp Hardware - Stainless steel/passivated
Braid-Copper/nickel plated
Braid Retention device - Copper/Tin Plated

SHELL SIZE	ØA MAX		B Max		ØC		E Min		L Max		M	
	inch	mm	inch	mm	± 0.031	± 0.78	inch	mm	inch	mm	±0.031	±0.78
					inch	mm					inch	mm
09	0.858	21.79	0.98	24.89	0.265	6.73	0.229	5.82	1.388	35.26	0.375	9.53
11	0.984	24.99	1.05	26.67	0.310	7.87	0.274	6.96	1.428	36.27	0.375	9.53
13	1.157	29.39	1.20	30.48	0.390	9.91	0.354	8.99	1.498	38.05	0.406	10.31
15	1.280	32.51	1.30	33.02	0.506	12.85	0.470	11.94	1.548	39.32	0.406	10.31
17	1.406	35.71	1.44	36.58	0.591	15.01	0.555	14.10	1.648	41.86	0.406	10.31
19	1.516	38.51	1.56	39.62	0.661	16.79	0.625	15.88	1.768	44.91	0.406	10.31
21	1.642	41.71	1.69	42.93	0.744	18.90	0.708	17.98	1.808	45.92	0.406	10.31
23	1.768	44.91	1.77	44.96	0.826	20.98	0.790	20.07	1.858	47.19	0.406	10.31
25	1.890	48.01	1.89	48.01	0.896	22.76	0.860	21.84	1.898	48.21	0.406	10.31

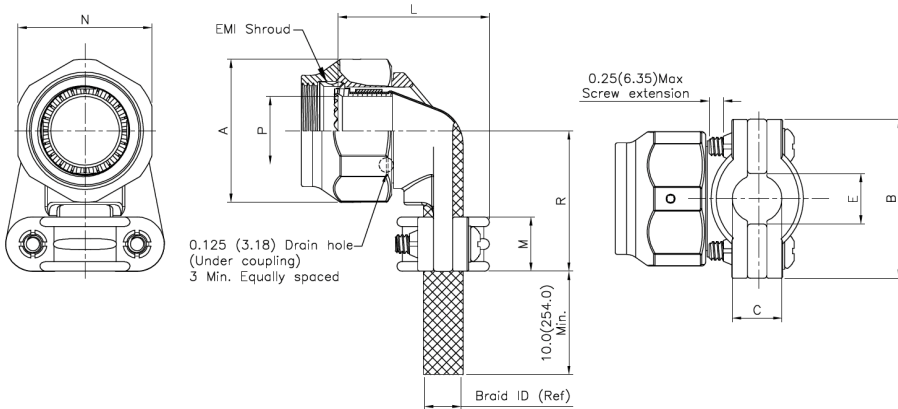
SHELL SIZE	N				P Min		R Max		Braid ID Ref		Screw Size
	Min		Max		inch	mm	inch	mm	inch	mm	
	inch	mm	inch	mm							
09	0.736	18.69	0.750	19.05	0.264	6.71	0.901	22.89	0.375	9.53	4-40
11	0.860	21.84	0.875	22.23	0.390	9.91	0.964	24.49	0.375	9.53	4-40
13	0.980	24.89	1.000	25.40	0.504	12.80	1.050	26.67	0.500	12.70	6-32
15	1.100	27.94	1.125	28.58	0.630	16.00	1.112	28.24	0.500	12.70	6-32
17	1.224	31.09	1.250	31.75	0.756	19.20	1.175	29.85	0.781	19.84	6-32
19	1.348	34.24	1.375	34.93	0.843	21.41	1.230	31.24	0.781	19.84	6-32
21	1.469	37.31	1.500	38.10	0.969	24.61	1.293	32.84	1.000	25.40	6-32
23	1.581	40.16	1.625	41.28	1.091	27.71	1.365	34.67	1.000	25.40	6-32
25	1.690	42.93	1.750	44.45	1.217	30.91	1.417	35.99	1.250	31.75	6-32

90°

Connector Group L

MIL-DTL-38999 Series III & IV

M85049	105	-11	N
SERIES	SLASH #	SHELL SIZE	LOCK
	105: 90°	09 11 13 15 17 19 21 23 25	N: Non-detent self locking (Omit for detented self locking)



Materials & Finish
Coupling nut, strain relief, strap and self locking spring - composite in accordance with AS85049
Interface Ring, EMI Shroud - Brass/Nickel plated
Clamp Hardware - Stainless steel/passivated
Braid-Copper/nickel plated
Braid Retention device - Copper/Tin Plated

SHELL SIZE	ØA MAX		B Max		ØC		E Min		L Max		M	
	inch	mm	inch	mm	± 0.031	± 0.78	inch	mm	inch	mm	±0.031	±0.78
					inch	mm					inch	mm
09	0.858	21.79	0.98	24.89	0.265	6.73	0.229	5.82	1.128	28.65	0.375	9.53
11	0.984	24.99	1.05	26.67	0.310	7.87	0.274	6.96	1.168	29.67	0.375	9.53
13	1.157	29.39	1.20	30.48	0.390	9.91	0.354	8.99	1.248	31.70	0.406	10.31
15	1.280	32.51	1.30	33.02	0.506	12.85	0.470	11.94	1.368	34.75	0.406	10.31
17	1.406	35.71	1.44	36.58	0.591	15.01	0.555	14.10	1.448	36.78	0.406	10.31
19	1.516	38.51	1.56	39.62	0.661	16.79	0.625	15.88	1.528	38.81	0.406	10.31
21	1.642	41.71	1.69	42.93	0.744	18.90	0.708	17.98	1.648	41.86	0.406	10.31
23	1.768	44.91	1.77	44.96	0.826	20.98	0.790	20.07	1.688	42.88	0.406	10.31
25	1.890	48.01	1.89	48.01	0.896	22.76	0.860	21.84	1.758	44.65	0.406	10.31

SHELL SIZE	N				P Min		R Max		Braid ID Ref		Screw Size
	Min		Max		inch	mm	inch	mm	inch	mm	
	inch	mm	inch	mm							
09	0.736	18.69	0.750	19.05	0.264	6.71	0.94	23.88	0.375	9.53	4-40
11	0.860	21.84	0.875	22.23	0.390	9.91	1.00	25.40	0.375	9.53	4-40
13	0.980	24.89	1.000	25.40	0.504	12.80	1.12	28.45	0.500	12.70	6-32
15	1.100	27.94	1.125	28.58	0.630	16.00	1.19	30.23	0.500	12.70	6-32
17	1.224	31.09	1.250	31.75	0.756	19.20	1.37	34.80	0.781	19.84	6-32
19	1.348	34.24	1.375	34.93	0.843	21.41	1.44	36.58	0.781	19.84	6-32
21	1.469	37.31	1.500	38.10	0.969	24.61	1.56	39.62	1.000	25.40	6-32
23	1.581	40.16	1.625	41.28	1.091	27.71	1.69	42.93	1.000	25.40	6-32
25	1.690	42.93	1.750	44.45	1.217	30.91	1.81	45.97	1.250	31.75	6-32

TELESCOPING FOR M85049 CABLE CLAMPS

Fits in M85049/41 & /42

M85049	/139	-20	A
SERIES	SLASH #	DASH #	<p>Figure 1 Omit: Neoprene C: Silicone K: Fluorosilicone</p> <p>Figure 2 A: Neoprene D: Silicone L: Fluorosilicone</p>

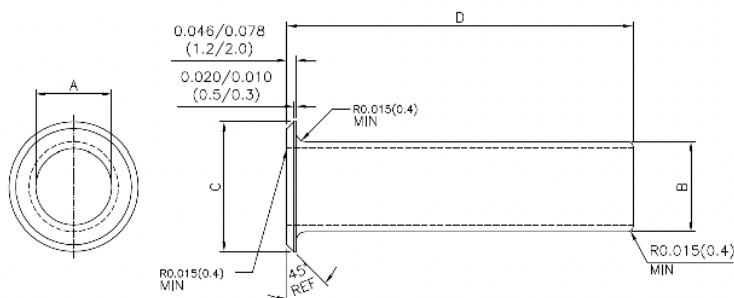


Figure 1: Bushing with Flange

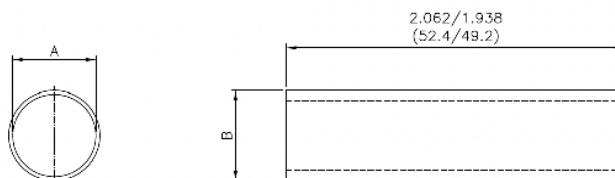


Figure 2: Bushing without Flange

Figure 1 Dimensions								
DASH #	A Ø		B Ø		C Ø		D Ø	
	inch	mm	inch	mm	inch	mm	inch	mm
3	0.110/0.150	2.8/3.8	0.190/0.230	4.8/5.8	0.363/0.395	9.2/10.0	2.812/2.937	71.4/74.6
4	0.200/0.240	5.1/6.1	0.282/0.322	7.2/8.2	0.489/0.521	12.4/13.2	2.687/2.812	68.2/71.4
6	0.292/0.332	7.4/8.4	0.407/0.447	10.3/11.4	0.603/0.635	15.3/16.1	2.562/2.687	65.1/68.2
8	0.410/0.464	10.4/11.8	0.525/0.579	13.3/14.7	0.728/0.760	18.5/19.3	2.437/2.562	61.9/65.1
10	0.535/0.589	13.6/15.0	0.535/0.652	13.6/16.6	0.873/0.905	22.2/23.0	2.312/2.437	58.7/61.9
12	0.598/0.652	15.2/16.6	0.713/0.767	18.1/19.5	1.068/1.100	27.1/27.9	2.187/2.312	55.5/58.7
16	0.723/0.777	18.4/19.7	0.900/0.954	22.9/24.2	1.298/1.330	33.0/33.8	2.125/2.187	54.0/55.5
20	0.898/0.976	22.8/24.8	1.201/1.279	30.5/32.5	1.582/1.614	40.2/41.0	1.937/2.062	49.2/52.4
24	1.211/1.289	30.8/32.7	1.326/1.404	33.7/35.7	1.831/1.863	46.5/47.3	1.812/1.937	46.0/49.2
28	1.336/1.414	33.9/35.9	1.575/1.653	40.0/42.0	2.069/2.101	52.6/53.4	1.687/1.812	42.8/46.0
32	1.573/1.675	40.0/42.5	1.813/1.915	46.1/48.6	2.319/2.351	58.9/59.7	1.562/1.687	39.7/42.8
40	1.823/1.925	46.3/48.9	2.313/2.415	58.8/61.3	2.819/2.851	71.6/72.4	1.437/1.562	36.5/39.7

Figure 2 Dimensions				
DASH #	A Ø		B Ø	
	inch	mm	inch	mm
3	0.110/0.150	2.8/3.8	0.190/0.230	4.8/5.8
4	0.200/0.240	5.1/6.1	0.282/0.322	7.2/8.2
6	0.292/0.332	7.4/8.4	0.407/0.447	10.3/11.4
8	0.410/0.464	10.4/11.8	0.525/0.579	13.3/14.7
10	0.410/0.464	10.4/11.8	0.588/0.642	14.9/16.3
12	0.514/0.568	13.1/14.4	0.713/0.767	18.1/19.5
16	0.723/0.777	18.4/19.7	0.900/0.954	22.9/24.2
18	0.898/0.976	22.8/24.8	1.88/1.142	27.6/29.0
20	0.898/0.976	22.8/24.8	1.201/1.279	30.5/32.5
24	1.86/1.164	27.6/29.6	1.326/1.404	33.7/35.7
28	1.211/1.289	30.8/32.7	1.575/1.653	40.0/42.0
32	1.574/1.676	40.0/42.5	1.814/1.916	46.1/48.7
40	1.824/1.926	46.3/48.9	2.314/2.416	58.8/61.4

90° & 45°; SELF-LOCK/SPIN

Connector Group L

MIL-DTL-38999 Series III & IV

M85049	/16	-	11	W
SERIES	SLASH #	COUPLING	SHELL SIZE	FINISH
	15: 45° 16: 90°	-: Spin S: Self-Lock G: Spin w/grounding lug	Table A	A: Anodized, Black N: Electroless Nickel W: Cadmium Olive Drab Z: Black Zinc Nickel

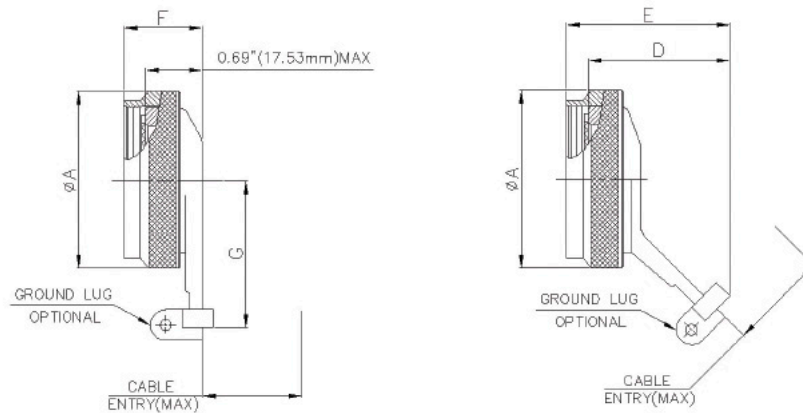


TABLE A

Accessories Shell Size	Connector Shell Size	A Ø Max.		D Max.		E Max.		F Max.		G Max.		Wiring Entry	
		inch	mm	inch	mm	inch	mm	inch	mm	inch	mm	inch	mm
9	9 / A	0.86	21.79	1.03	26.16	1.43	36.32	0.99	25.15	1.22	30.99	0.26	6.71
11	11 / B	0.98	24.99	1.03	26.16	1.43	36.32	0.99	25.15	1.29	32.77	0.39	9.96
13	13 / C	1.16	29.39	1.03	26.16	1.43	36.32	0.99	25.15	1.62	41.15	0.51	12.85
15	15 / D	1.28	32.49	1.09	27.69	1.93	49.02	0.99	25.15	1.66	42.16	0.63	16.03
17	17 / E	1.41	35.71	1.11	28.19	1.93	49.02	0.99	25.15	1.72	43.69	0.76	19.20
19	19 / F	1.52	38.51	1.21	30.73	2.03	51.56	0.99	25.15	1.72	43.69	0.85	21.46
21	21 / G	1.64	41.71	1.26	32.00	2.09	53.09	0.99	25.15	1.79	45.47	0.97	24.64
23	23 / H	1.77	44.91	1.30	33.02	2.09	53.09	0.99	25.15	1.85	46.99	1.10	27.81
25	25 / J	1.89	47.98	1.34	34.04	2.24	56.90	0.99	25.15	1.91	48.51	1.22	30.99

STRAIGHT; 90° & 45°; SELF-LOCK/SPIN

Connector Group J

MIL-DTL-26482 Series II; MIL-DTL-83723 Series III; AS50151; AS81703

M85049	/53	-	10	W
SERIES	SLASH #	COUPLING	DASH #	FINISH
	53: Straight 54: 45° 55: 90°	--:Spin S:Self-Lock (Straight Only) G:Spin w/grounding Lug (90° Only) T: Self-Lock with grounding lug (only for 90°)	Table A	A: Hard Anodized Black N: Electroless Nickel W: Cadmium Olive Drab Z: Black Zinc Nickel

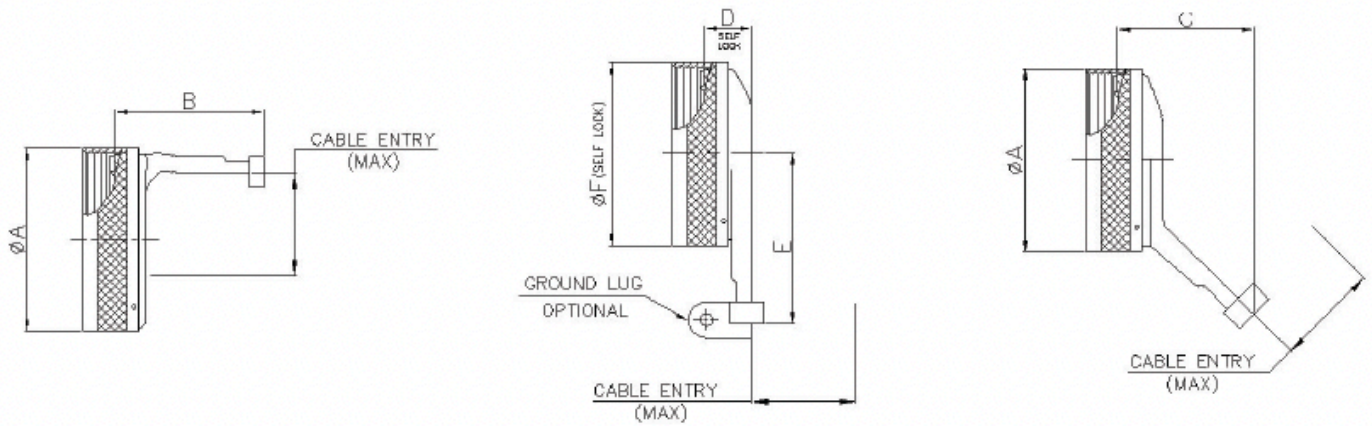


TABLE A

DASH #	Connector Shell Size	A ϕ Max.		B Max.		C Max.		D Max.		E Max.		F Dia. Max.		Wiring Entry	
		inch	mm	inch	mm	inch	mm	inch	mm	inch	mm	inch	mm	inch	mm
08	8	0.66	16.69	0.95	24.23	1.23	31.29	0.73	18.54	1.22	30.99	0.89	22.48	0.26	6.60
10	10	0.78	19.86	0.95	24.23	1.23	31.29	0.73	18.54	1.29	32.77	1.01	25.65	0.37	9.27
12	7/12/12	0.94	23.80	0.95	24.23	1.23	31.29	0.73	18.54	1.62	41.15	1.14	28.83	0.50	12.73
14	12/14	1.05	26.67	1.20	30.58	1.23	31.29	0.73	18.54	1.66	42.16	1.26	32.00	0.58	14.61
16	19/16	1.24	31.47	1.20	30.58	1.23	31.29	0.73	18.54	1.72	43.69	1.39	35.18	0.70	17.78
18	27/18	1.38	35.00	1.20	30.58	1.23	31.29	0.73	18.54	1.72	43.69	1.51	38.35	0.78	19.79
20	37/20	1.50	38.10	1.31	33.27	1.48	37.64	0.75	19.05	1.79	45.47	1.64	41.53	0.90	22.96
22	22	1.63	41.43	1.43	36.32	1.48	37.64	0.75	19.05	1.85	46.99	1.76	44.70	1.03	26.14
24	24	1.75	44.45	1.56	39.62	1.48	37.64	0.75	19.05	1.91	48.51	1.89	47.88	1.14	29.06
28	28	1.97	50.04	1.56	39.62	1.47	37.31	0.75	19.05	2.06	52.32	2.14	54.23	1.38	35.03

STRAIGHT; 90° & 45°; SELF-LOCK/SPIN

Connector Group K

MIL-DTL-38999 Series I & II

M85049	/56	-	10	W
SERIES	SLASH #	COUPLING	DASH #	FINISH
	56: Straight 57: 45° 63: 90°	-: Spin S: Self-Lock (Straight Only) G: Spin w/grounding Lug (/57 and /63 Only)	Table A	A: Hard Anodized Black N: Electroless Nickel W: Cadmium Olive Drab Z: Black Zinc Nickel

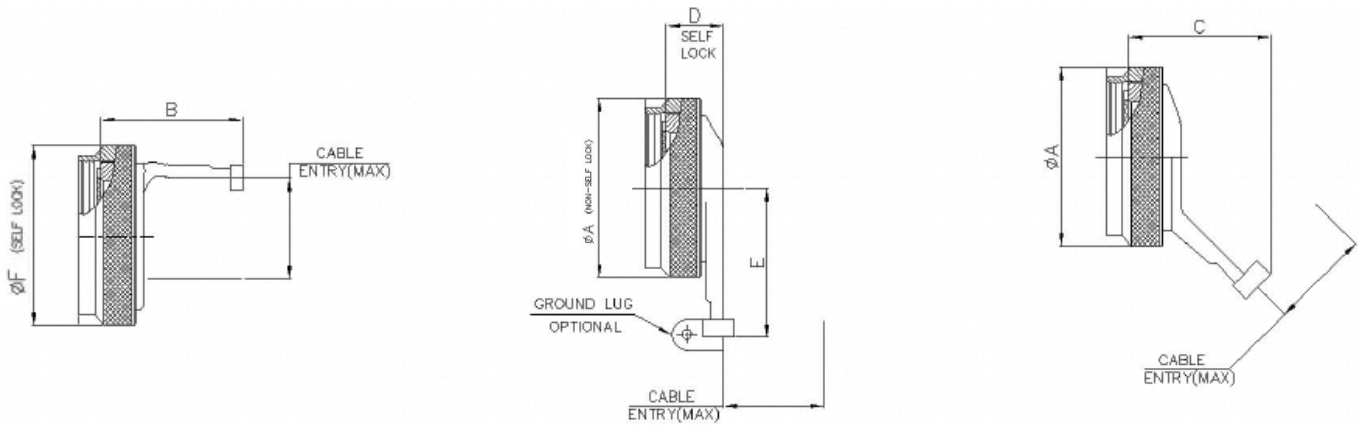


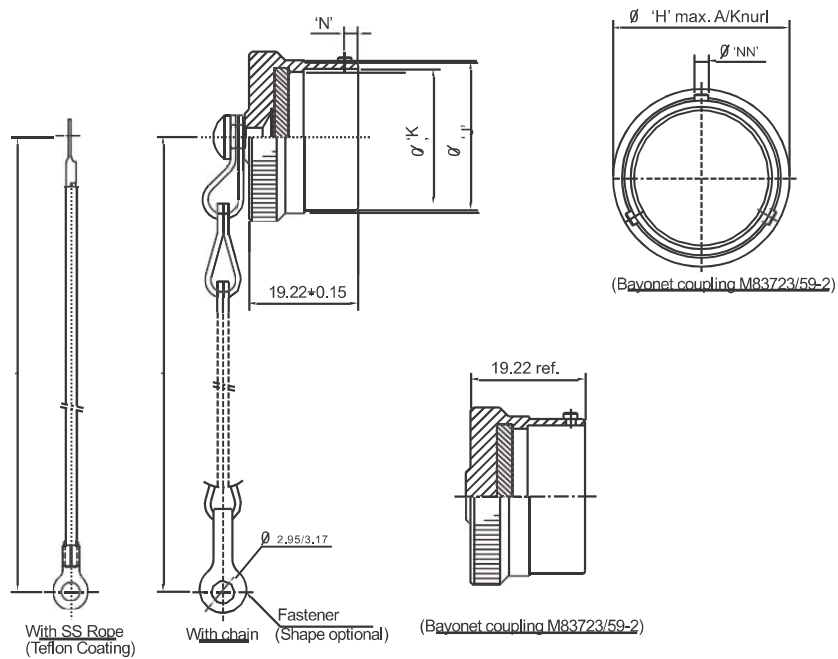
TABLE-A

DASH #	CONNECTOR SHELL SIZE	ØA MAX				B MAX		C MAX				D MAX		E Max		ØF MAX		CABLE ENTRY MAX	
		NON-SELF LOCKING		SELF-LOCKING		inch	mm	NON-SELF LOCKING		SELF-LOCKING		inch	mm	inch	mm	NON-SELF LOCKING		inch	mm
		inch	mm	inch	mm			inch	mm	inch	mm								
8	8 / 9	0.75	19.05	0.86	21.84	0.90	22.86	1.03	26.16	1.21	30.73	0.73	18.54	1.22	30.99	0.86	21.84	0.26	6.71
10	10 / 11	0.85	21.59	0.98	24.89	0.90	22.86	1.03	26.16	1.21	30.73	0.73	18.54	1.29	32.77	0.98	24.89	0.39	9.96
12	12 / 13	1.00	25.40	1.16	29.46	0.96	24.38	1.03	26.16	1.39	35.31	0.73	18.54	1.62	41.15	1.16	29.46	0.51	12.85
14	14 / 15	1.10	27.94	1.28	32.51	1.14	28.96	1.09	27.69	1.39	35.31	0.73	18.54	1.66	42.16	1.28	32.51	0.63	16.03
16	16 / 17	1.25	31.75	1.41	35.81	1.14	28.96	1.11	28.19	1.39	35.31	0.73	18.54	1.72	43.69	1.41	35.81	0.76	19.20
18	18 / 19	1.40	35.56	1.52	38.61	1.20	30.48	1.21	30.73	1.39	35.31	0.73	18.54	1.72	43.69	1.52	38.61	0.84	21.44
20	20 / 21	1.50	38.10	1.64	41.66	1.33	33.78	1.26	32.00	1.39	35.31	0.73	18.54	1.79	45.47	1.64	41.66	0.97	24.64
22	22 / 23	1.65	41.91	1.77	44.96	1.45	36.83	1.30	33.02	1.39	35.31	0.73	18.54	1.85	46.99	1.77	44.96	1.09	27.79
24	24 / 25	1.75	44.45	1.89	48.01	1.59	40.39	1.34	34.04	1.39	35.31	0.73	18.54	1.91	48.51	1.89	48.01	1.22	30.96

JANM83723/59-2 BAYONET PLUG DUST CAP

MIL-DTL-26500 Series III

M83723/59-2	12	A	P
	SHELL SIZE	FINISH	STYLE
Designated Receptacle Cover	8	W - Cadmium	P - w/ Chain Length 8in + .25in
	10		C - w/ Chain Length 5in + .25in
	12	R - Electroless Nickel	R - w/ Rope Length 5in + .25in
	14		T - w/ Rope Length 8in + .25in
	16	A - Anodized Black	N - w/o Chain
	18	Z - Black Zinc Nickel	
	20		
	22		
24			

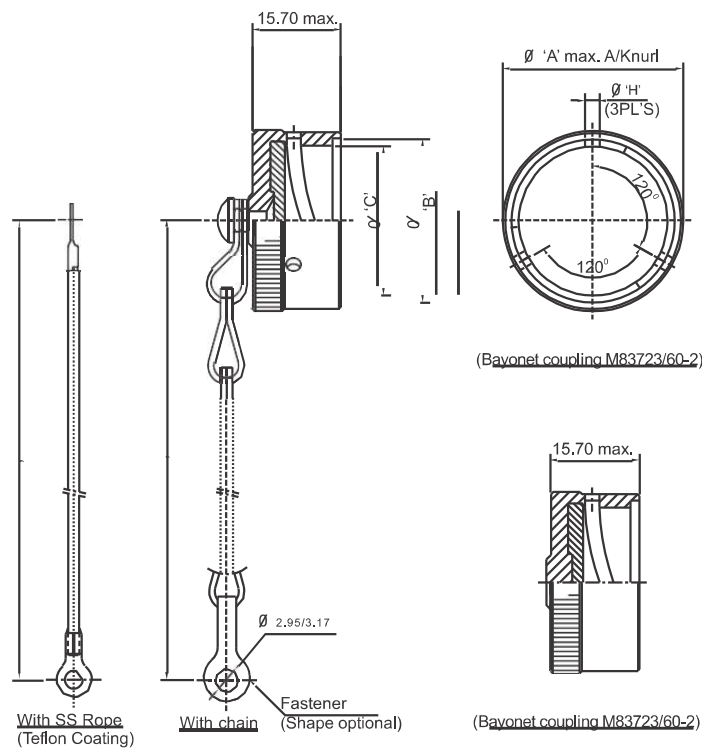


Shell Size	H Max		Ø J		Ø K		Ø N		Ø NN	
			+0.0 - 0.13		+0.13 - 0.0		+0.0 - 0.10		+0.0 - 0.08	
	mm	in	mm	in	mm	in	mm	in	mm	in
8	19.46	0.76	13.61	0.534	12.07	0.48	2.57	0.10	1.98	0.08
10	23.01	0.91	16.74	0.656	14.63	0.58	2.39	0.04	2.36	0.09
12	27.38	1.08	21.06	0.83	18.95	0.75				
14	28.98	1.14	22.81	0.90	20.70	0.81				
16	32.16	1.27	26.04	1.03	23.93	0.94				
18	34.93	1.38	28.73	1.13	26.62	1.05				
20	38.35	1.51	31.90	1.26	29.74	1.17				
22	41.28	1.62	35.08	1.38	32.94	1.30				
24	44.70	1.76	38.25	1.51	36.07	1.42				

JANM83723/60-2 BAYONET RECEPTACLE DUST CAP

MIL-DTL-26500 Series III

M83723/60-2	24	Z	T
	SHELL SIZE	FINISH	STYLE
Designated Receptacle Cover	8	W - Cadmium	P - w/ Chain Length 8in + .25in
	10		C - w/ Chain Length 5in + .25in
	12	R - Electroless Nickel	R - w/ Rope Length 5in + .25in
	14		T - w/ Rope Length 8in + .25in
	16	A - Anodized Black	N - w/o Chain
	18	Z - Black Zinc Nickel	
	20		
	22		
24			



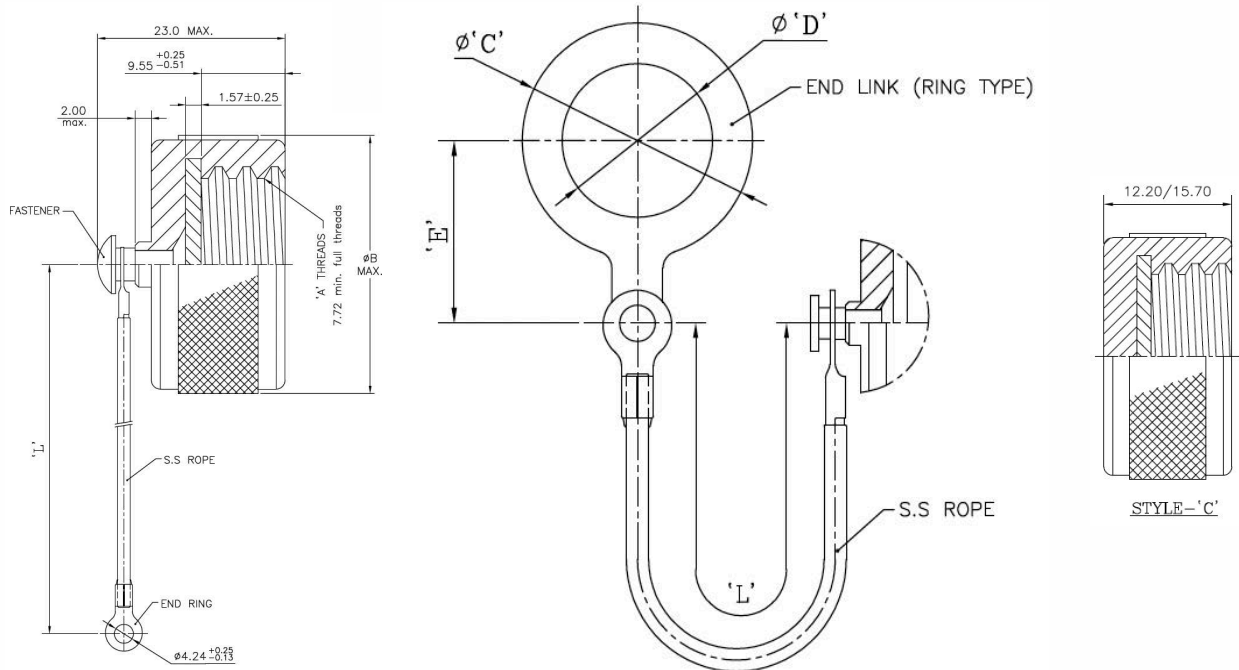
Shell Size	A MAX		Ø B MAX		Ø C MAX		H MIN	
					+0.13 - 0.0			
	mm	in	mm	in	mm	in	mm	in
8	19.71	0.78	16.20	0.64	13.72	0.54	2.01	0.08
10	23.01	0.91	19.40	0.76	16.81	0.66	2.39	0.09
12	27.38	1.08	23.80	0.94	21.13	0.83		
14	28.98	1.14	25.50	1.00	22.89	0.90		
16	32.16	1.27	28.70	1.123	26.11	1.027		
18	34.93	1.38	31.50	1.24	28.80	1.13		
20	38.35	1.51	34.60	1.36	32.03	1.26		
22	41.28	1.63	37.80	1.49	35.15	1.38		
24	44.70	1.76	40.90	1.61	38.38	1.51		

JAND38999/33 RECEPTACLE CAPS

MIL-DTL-38999 Series III

Connector Group L

JAND38999/33	W	15	R
Designates Receptacle Dust Cover	MATERIALS & FINISH	ACCESSORY SHELL SIZE	STYLE
	<p>W: Aluminum Alloy/Cadmium</p> <p>Z: Aluminum Alloy/ Black Zinc Nickel</p> <p>F: Aluminum Alloy/ Electroless Nickel</p> <p>K: Stainless Steel/Passivated</p> <p>N: Stainless Steel/ Electrodeposited Nickel</p>	<p>9</p> <p>11</p> <p>13</p> <p>15</p> <p>17</p> <p>19</p> <p>21</p> <p>23</p> <p>25</p>	<p>N: W/ SS Rope & Ring</p> <p>R: W/ SS Rope</p> <p>C: Cover Only</p>



Accessory Shell Size	A Ø		B Ø Max.		C Ø Min.		D Ø Max.		E MIN MAX/MIN		L	
	mm	inch	mm	inch	mm	inch	mm	inch	mm	inch	mm	inch
9	15.74	0.62	23.0	0.90	27.0	1.06	17.64	0.69	0.83\ 0.71	21.0\ 18.0	127.00	5.00
11	19.05	0.75	28.0	1.10	32.0	1.25	21.97	0.86	0.89\ 0.73	22.5\ 18.5	127.00	5.00
13	22.09	0.87	31.0	1.22	37.0	1.45	25.12	0.98	0.98\ 0.93	25.0\ 23.5	127.00	5.00
15	25.4	1.00	32.0	1.25	40.0	1.57	29.92	1.17	1.22\ 0.98	31.0\ 25.0	127.00	5.00
17	29.97	1.18	37.0	1.45	44.0	1.73	32.0	1.25	1.28\ 1.04	32.5\ 26.5	127.00	5.00
19	31.75	1.25	39.0	1.53	46.0	1.81	36.27	1.42	1.34\ 1.10	34.0\ 28.0	127.00	5.00
21	34.79	1.37	42.0	1.65	49.0	1.92	38.25	1.50	1.40\ 1.18	35.5\ 30.0	127.00	5.00
23	38.1	1.50	45.0	1.77	54.0	2.12	42.62	1.67	1.48\ 1.24	37.5\ 31.5	127.00	5.00
25	41.14	1.62	49.0	1.92	56.0	2.20	44.45	1.75	1.54\ 1.30	39.0\ 33.0	127.00	5.00

JAND38999/32 PLUG CAPS

MIL-DTL-38999 Series III

Connector Group L

JAND38999/32	W	15	R
Designates Plug Dust Cover	MATERIALS & FINISH	ACCESSORY SHELL SIZE	STYLE
	W: Aluminum Alloy/Cadmium Z: Aluminum Alloy/ Black Zinc Nickel F: Aluminum Alloy/ Electroless Nickel K: Stainless Steel/Passivated N: Stainless Steel/ Electrodeposited Nickel	9 11 13 15 17 19 21 23 25	N: W/ SS Rope & Ring R: W/ SS Rope C - Cover Only

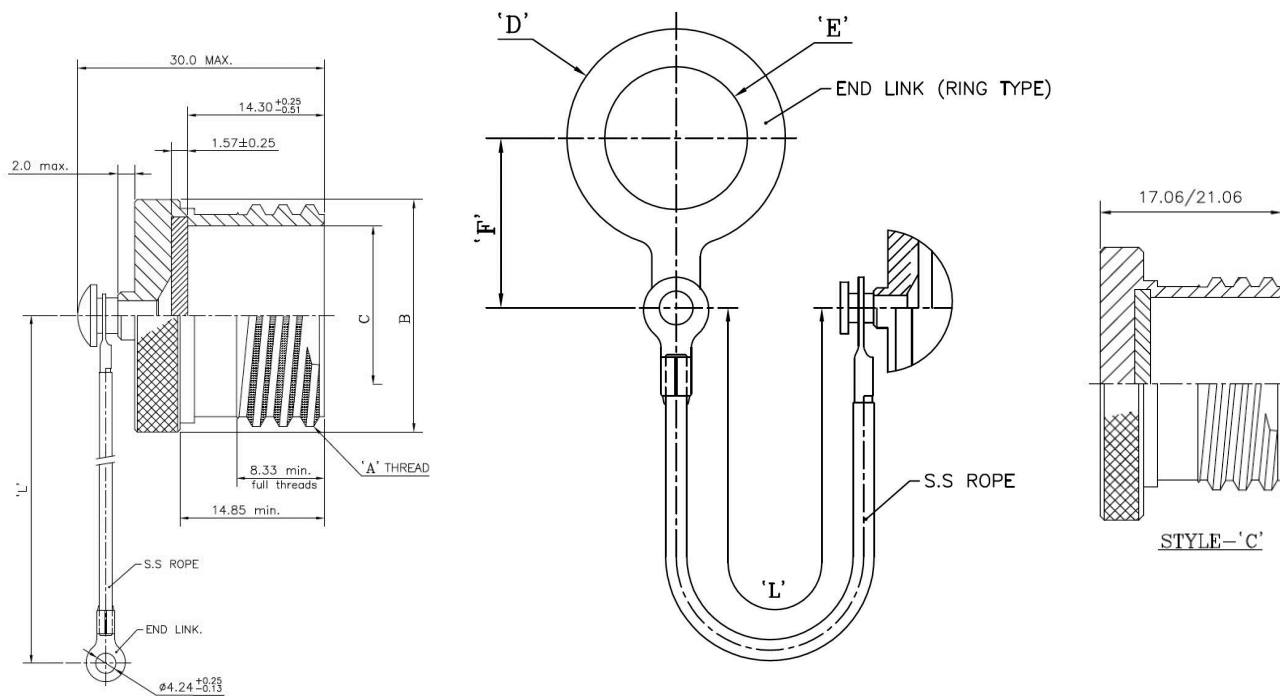


TABLE A

Accessory Shell Size	A Ø		B Ø Max.		C Ø Min.		D Ø Max.		E Ø Min.		F		L	
	mm	inch	mm	inch	mm	inch	mm	inch	mm	inch	mm	inch	mm	inch
	+13.00/-7.00													
9	15.74	0.62	17.20	0.68	12.50	0.49	24.00	0.94	13.00	0.51	24.00	0.95	127.00	5.00
11	19.05	0.75	20.50	0.81	15.75	0.62	27.00	1.06	18.00	0.71	20.50	0.81	127.00	5.00
13	22.09	0.87	24.30	0.96	19.53	0.77	30.00	1.18	20.00	0.79	27.00	1.06	127.00	5.00
15	25.4	1.00	27.40	1.08	22.71	0.89	31.00	1.22	23.00	0.91	22.50	0.89	127.00	5.00
17	29.97	1.18	30.60	1.20	25.88	1.018	37.00	1.46	26.00	1.02	30.50	1.20	127.00	5.00
19	31.75	1.25	33.25	1.31	28.55	1.12	40.00	1.57	29.00	1.14	31.50	1.24	127.00	5.00
21	34.79	1.37	36.40	1.43	31.72	1.248	44.00	1.73	32.00	1.26	33.00	1.30	127.00	5.00
23	38.1	1.50	39.70	1.56	34.90	1.37	46.00	1.81	34.00	1.34	34.00	1.34	127.00	5.00
25	41.14	1.62	42.80	1.69	38.07	1.50	49.00	1.92	39.00	1.54	38.00	1.50	127.00	5.00

JANMS27510 PLUG DUST CAPS

MIL-DTL-38999 Series II

Connector Group K

JANMS27510	C	8	A	L
Designates Plug Dust Cover	FINISH	ACCESSORY SHELL SIZE	STYLE	LENGTH
	B: Cadmium	8	C: W/ Chain A: W/O Chain	L: 5 in. Chain /Rope in lieu of standard length M: 6 in. Chain N: 7 in. Chain (Omit for standard length "H")
	C: Anodized Black	10		
	F: Electroless Nickel	12		
	Z: Black Zinc Nickel	14		
		16		
	18			
	20			
	22			
	24			

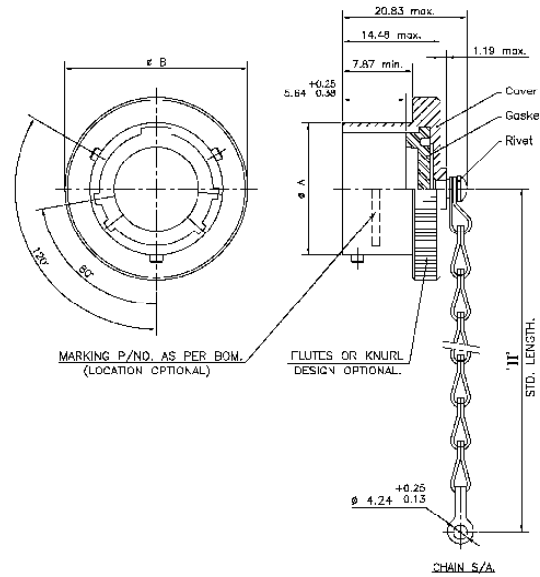


TABLE A

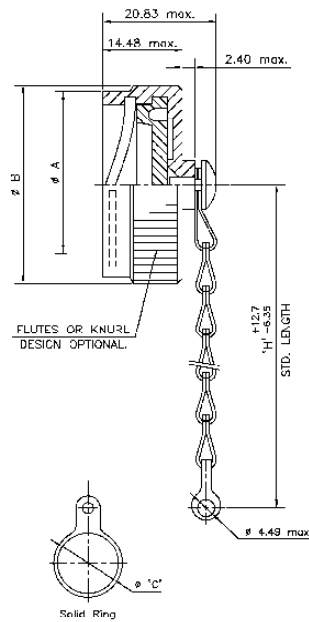
Accessory Shell Size	A ϕ		B ϕ Max.		H Std. Length	
	+0.02 / -0.13				+12.70 / -6.35	
	mm	inch	mm	inch	mm	inch
8	12.01	0.47	18.29	0.72	76.20	3
10	14.99	0.59	21.59	0.85	76.20	3
12	19.05	0.75	25.40	1	88.90	3.5
14	22.22	0.87	28.70	1.12	88.90	3.5
16	25.40	1	31.75	1.25	88.90	3.5
18	28.58	1.12	35.05	1.37	88.90	3.5
20	31.75	1.25	38.10	1.5	101.60	4
22	34.92	1.37	41.40	1.62	101.60	4
24	38.10	1.5	44.45	1.75	101.60	4

JANMS27511 RECEPTACLE DUST CAPS

MIL-DTL-38999 Series II

Connector Group K

JANMS27511	B	10	A	L
Designates Receptacle Dust Cover	FINISH	ACCESSORY SHELL SIZE	STYLE	LENGTH
	B: Cadmium C: Anodized Black F: Electroless Nickel Z: Black Zinc Nickel	8 10 12 14 16 18 20 22 24	A: W/O Chain C: W/ Chain N: W/ Chain & Ring R: S.S Rope (3.28 max. 08 to 22 size) (3.68 max. 24 size)	L: 5 in. Chain /Rope in lieu of standard length (Omit for st. length "H")



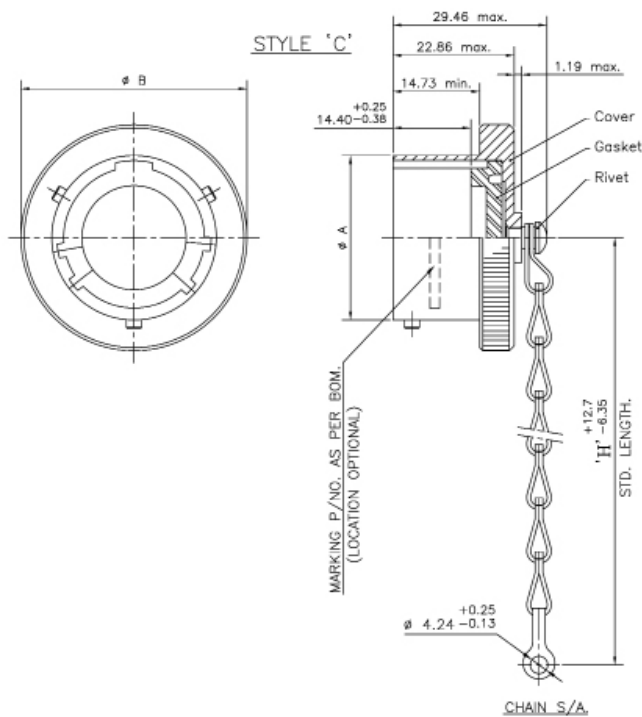
Accessory Shell Size	A Ø Max		B Ø Max.		C Ø Min.		H Std. Length	
							+12.70 / -6.35	
	mm	inch	mm	inch	mm	inch	mm	inch
8	16.00	0.62	19.05	0.75	22.61	0.89	76.20	3
10	19.33	0.76	21.82	0.85	25.65	1.00	76.20	3
12	23.77	0.93	26.19	1.03	28.96	1.14	88.90	3.5
14	27.28	1.07	29.36	1.15	32.0	1.25	88.90	3.5
16	29.77	1.17	32.54	1.28	35.31	1.39	88.90	3.5
18	33.12	1.30	35.71	1.40	38.35	1.50	88.90	3.5
20	36.45	1.43	38.89	1.53	41.66	1.64	101.60	4
22	39.62	1.55	41.68	1.64	44.70	1.75	101.60	4
24	42.88	1.68	44.86	1.76	48.0	1.88	101.60	4

JANMS27501 PLUG DUST CAPS

MIL-DTL-38999 Series I

Connector Group K

JANMS27501	B	11	C	L
Designates Plug Dust Cover	FINISH	ACCESSORY SHELL SIZE	STYLE	LENGTH
	B: Cadmium	9	C: W/ Chain	L: 5 in. Chain
	C: Anodized Black	11		M: 6 in. Chain
	F: Electroless Nickel	13	A: W/O Chain	N: 7 in. Chain
	Z: Black Zinc Nickel	15		(Omit for standard length "H")
	17			
	19			
	21			
	23			
	25			



Accessory Shell Size	A Ø		B Ø Max.		H Std. Length	
	+0.02 / -0.13				+12.70 / -6.35	
	mm	inch	mm	inch	mm	inch
9	14.53	0.57	20.83	0.82	76.20	3
11	17.78	0.7	23.88	0.94	76.20	3
13	21.59	0.85	27.18	1.07	88.90	3.5
15	24.77	0.97	30.23	1.19	88.90	3.5
17	27.94	1.1	33.53	1.32	88.90	3.5
19	30.66	1.20	36.58	1.44	88.90	3.5
21	33.83	1.33	39.88	1.57	101.60	4
23	37.01	1.45	42.93	1.69	101.60	4
25	40.18	1.58	46.23	1.82	101.60	4

JANMS27502 RECEPTACLE DUST CAPS

MIL-DTL-38999 Series I

Connector Group K

JANMS27502	B	11	C	L
Designates Receptacle Dust Cover	FINISH	ACCESSORY SHELL SIZE	STYLE	LENGTH
	B: Cadmium C: Anodized Black F: Electroless Nickel Z: Black Zinc Nickel	9 11 13 15 17 19 21 23 25	A: W/O Chain C: W/ Chain N: W/ Chain & Ring	L: 5 in. Chain /Rope in lieu of standard length (Omit for st. length "H")

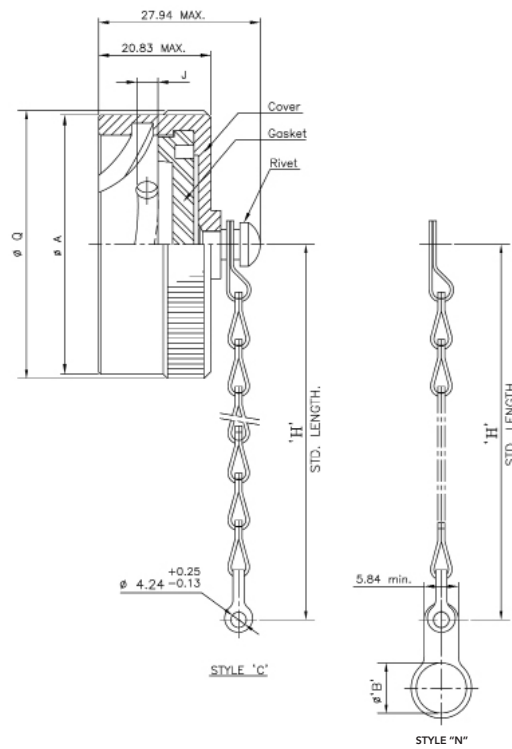


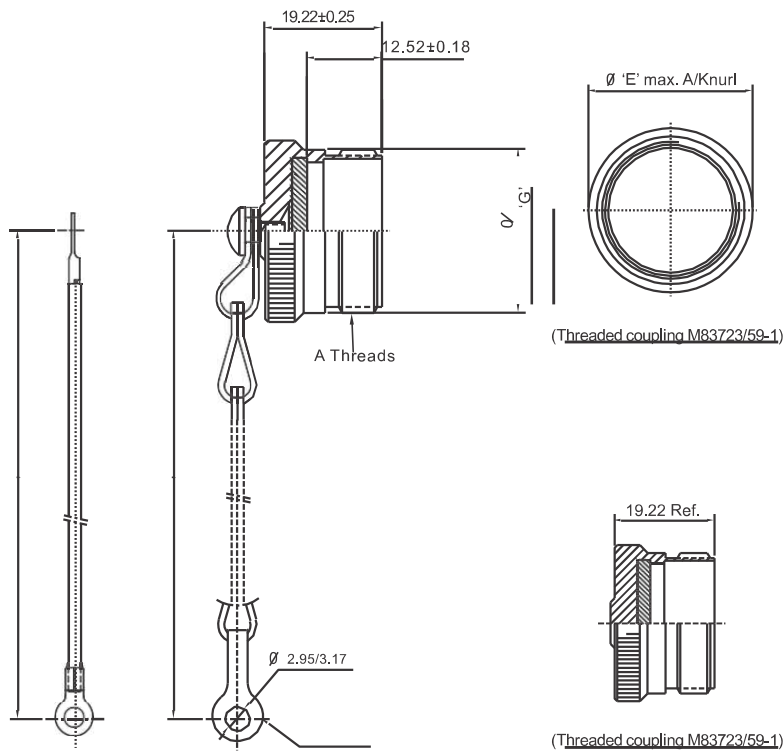
TABLE A

Accessory Shell Size	A Ø Max		B Ø Min.		J		Q Ø Max.		H Std. Length	
					+0.38				+12.70 / -6.35	
	mm	inch	mm	inch	mm	inch	mm	inch	mm	inch
9	20.83	0.82	17.78	0.7	2.67	0.105	21.84	0.85	76.20	3
11	23.88	0.94	21.34	0.84	2.67	0.105	24.89	0.97	76.20	3
13	27.94	1.1	25.65	1.00	2.67	0.105	29.46	1.15	88.90	3.5
15	30.99	1.22	28.96	1.14	2.67	0.105	32.51	1.27	88.90	3.5
17	34.05	1.34	32.00	1.25	2.67	0.105	35.81	1.40	88.90	3.5
19	37.08	1.45	35.31	1.39	2.67	0.105	38.61	1.52	88.90	3.5
21	40.13	1.57	38.35	1.50	2.67	0.105	41.91	1.65	101.60	4
23	43.18	1.7	41.66	1.64	2.67	0.105	44.96	1.77	101.60	4
25	46.48	1.82	44.70	1.75	3.51	0.13	48.01	1.8	101.60	4

JANM83723/59-1 PLUG DUST CAP

MIL-DTL-26500 Series III

M83723/59-1	8	R	C
	SHELL SIZE	FINISH	STYLE
Designated Receptacle Cover	8	W - Cadmium	P - w/ Chain Length 8in + .25in
	10		C - w/ Chain Length 5in + .25in
	12	R - Electroless Nickel	R - w/ Rope Length 5in + .25in
	14		T - w/ Rope Length 8in + .25in
	16	A - Anodized Black	N - w/o Chain
	18	Z - Black Zinc Nickel	
	20		
	22		
24			

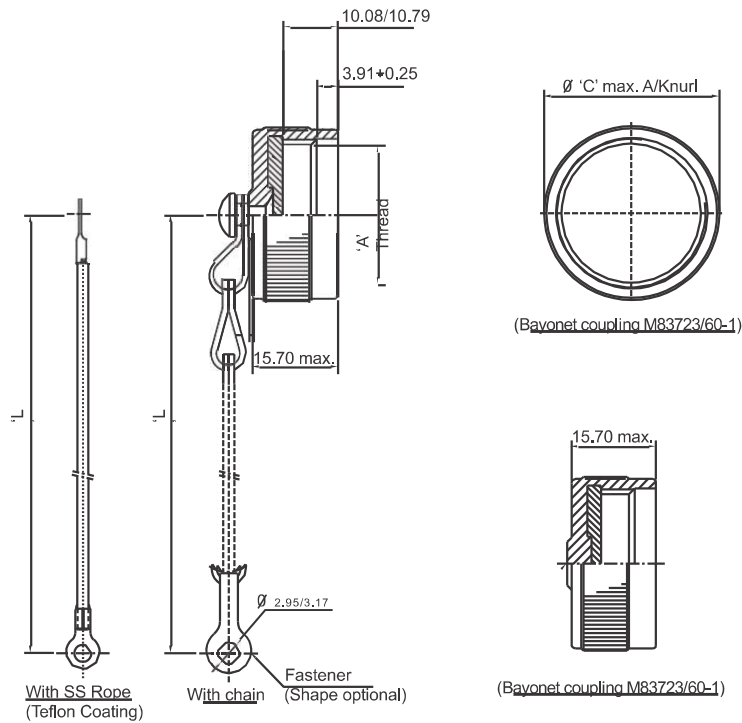


Shell Size	A Thread UNEF-2A		C Ø Max.		G Ø Max.	
	mm	in	mm	in	mm	in
8	0.5625-24	0.02-0.94	19.71	0.78	14.25	0.56
10	0.6875-24	0.03-0.94	23.01	0.91	17.68	0.70
12	0.8750-20	0.03-0.79	27.38	1.078	22.23	0.88
14	0.9375-20	0.04-0.79	28.98	1.14	23.75	0.94
16	1.0625-18	0.04-0.71	32.16	1.27	26.97	1.06
18	1.1875-18	0.050.71	34.93	1.378	30.15	1.19
20	1.3125-18	0.050.71	38.35	1.51	33.32	1.31
22	1.4375-18	0.050.71	41.28	1.63	36.50	1.44
24	1.5625-18	0.060.71	44.70	1.76	39.67	1.56

JANM83723/60-1 RECEPTACLE DUST CAP

MIL-DTL-26500 Series III

M83723/60-1	20	W	N
	SHELL SIZE	FINISH	STYLE
Designated Receptacle Cover	8	W - Cadmium	P - w/ Chain Length 8in + .25in
	10		C - w/ Chain Length 5in + .25in
	12	R - Electroless Nickel	R - w/ Rope Length 5in + .25in
	14		T - w/ Rope Length 8in + .25in
	16	A - Anodized Black	N - w/o Chain
	18	Z - Black Zinc Nickel	
	20		
	22		
24			



All dimensions are in mm.

Shell Size	A Thread UNEF-2A		C Ø Max.	
	mm	in	mm	in
8	0.5625-24	0.02-0.94	19.71	0.78
10	0.6875-24	0.03-0.94	23.01	0.91
12	0.8750-20	0.03-0.79	27.38	1.078
14	0.9375-20	0.04-0.79	28.98	1.14
16	1.0625-18	0.04-0.71	32.16	1.27
18	1.1875-18	0.050.71	34.93	1.378
20	1.3125-18	0.050.71	38.35	1.51
22	1.4375-18	0.050.71	41.28	1.63
24	1.5625-18	0.060.71	44.70	1.76

MS25042 PLUG DUST CAPS

MIL-DTL-5015

Connector Group J

MS25042	10	D
Designates Plug Dust Cover	ACCESSORY SHELL SIZE	FINISH
	8 10 12 14 16 18 20 22 24 28 32 36 40 44 48	D: Cadmium DA: Anodized Black DZ: Black Zinc Nickel

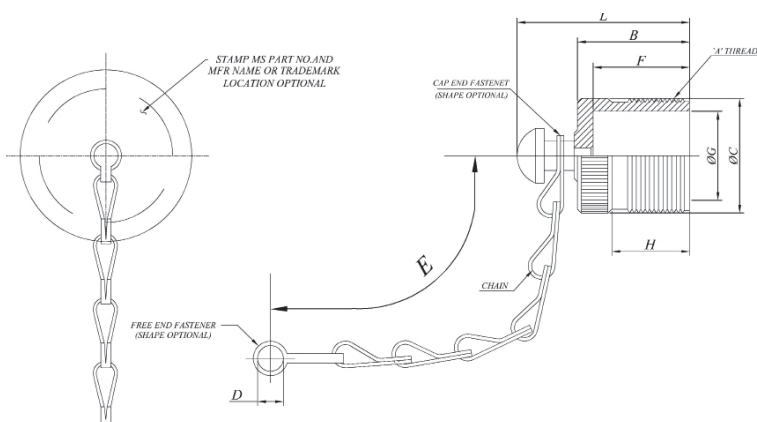


TABLE A

Accessory Shell Size	A Thread-2B	B Max.		C Max.		D Max.		E Attachment		F Ref.		G Ref.		H Min.		L Max.	
		mm	inch	mm	inch	mm	inch	± 1mm		mm	inch	mm	inch	mm	inch	mm	inch
								mm	inch								
8	0.500-28 UNEF	16.7	0.65	14.3	0.56	3.8	0.14	101.6	4	14.3	0.56	9.5	0.37	9.7	0.38	1.15	0.97
10	0.625-24 UNEF	21.4	0.84	17.4	0.68	3.8	0.14	101.6	4	14.3	0.56	0.75	0.46	9.7	0.38	1.15	0.97
12	0.750-20 UNEF	21.4	0.84	20.6	0.81	3.8	0.14	114.3	4.5	19.1	0.75	14.3	0.56	13.5	0.53	29.4	1.15
14	0.875-20 UNEF	21.4	0.84	23.8	0.93	3.8	0.14	114.3	4.5	19.1	0.75	17.5	0.68	13.5	0.53	29.4	1.15
16	1.000-20 UNEF	21.4	0.84	27.0	1.06	3.8	0.14	114.3	4.5	19.1	0.75	20.5	0.80	13.5	0.53	29.4	1.15
18	1.125-18 UNEF	21.4	0.84	30.1	1.18	3.8	0.14	114.3	4.5	19.1	0.75	23.8	0.93	13.5	0.53	29.4	1.15
20	1.250-18 UNEF	21.4	0.84	33.3	1.31	4.6	0.18	127.0	5	19.1	0.75	27.0	1.06	13.5	0.53	29.4	1.15
22	1.375-18 UNEF	21.4	0.84	36.5	1.43	4.6	0.18	127.0	5	19.1	0.75	30.2	1.18	13.5	0.53	29.4	1.15
24	1.500-18 UNEF	21.4	0.84	39.7	1.56	4.6	0.18	139.7	5.5	19.1	0.75	33.3	1.31	13.5	0.53	29.4	1.15
28	1.750-18 UNEF	21.4	0.84	46.0	1.81	4.6	0.18	196.9	7.75	19.1	0.75	38.9	1.53	13.5	0.53	29.4	1.15
32	2.000-18 UNEF	21.4	0.84	52.4	2.06	5.4	0.21	196.9	7.75	19.1	0.75	45.2	1.77	13.5	0.53	29.4	1.15
36	2.250-16 UN	21.4	0.84	58.7	2.31	5.4	0.21	196.9	7.75	19.1	0.75	50.8	2	13.5	0.53	29.4	1.15
40	2.500-16 UN	21.4	0.84	65.1	2.56	5.4	0.21	196.9	7.75	19.1	0.75	57.2	2.25	13.5	0.53	29.4	1.15
44	2.750-16 UN	21.4	0.84	71.4	2.81	5.4	0.21	196.9	7.75	19.1	0.75	63.5	2.5	15.0	0.59	29.4	1.15
48	3.000-16 UN	21.4	0.84	77.8	3.06	5.4	0.21	196.9	7.75	19.1	0.75	69.9	2.75	15.0	0.59	29.4	1.15

MS25043 RECEPTACLE DUST CAPS

MIL-DTL-5015

Connector Group J

MS25043	10	D
Designates Receptacle Dust Cover	ACCESSORY SHELL SIZE	FINISH
	8 10 12 14 16 18 20 22 24 28 32 36 40 44 48	D: Cadmium DA: Anodized Black DZ: Black Zinc Nickel

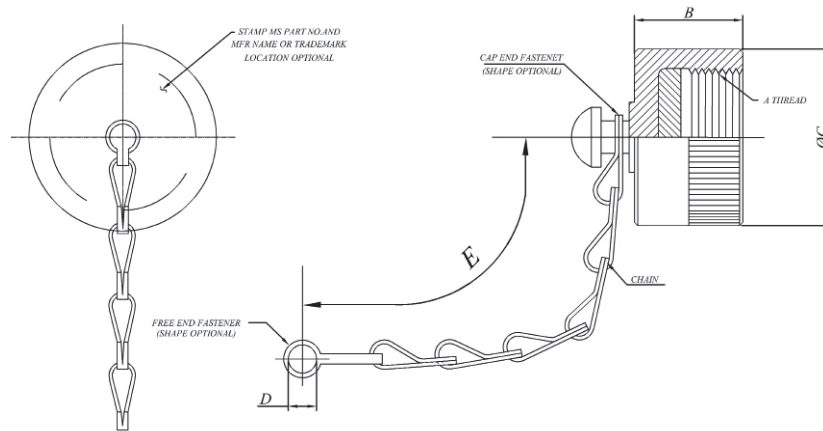


TABLE A

Accessory Shell Size	A Thread-2B	B Max.		C Max.		L Max. Length		E Attachment Length ± 1 mm		L Max.	
		mm	inch	mm	inch	mm	inch	mm	inch	mm	inch
		8	0.500-28 UNEF	11.9	0.46	17.5	0.68	3.4	0.13	101.6	4
10	0.625-24 UNEF	11.9	0.46	20.7	0.81	3.4	0.13	101.6	4	19.1	0.75
12	0.750-20 UNEF	11.9	0.46	25.4	1	3.4	0.13	114.3	4.5	19.1	0.75
14	0.875-20 UNEF	11.9	0.46	28.6	1.12	3.4	0.13	114.3	4.5	19.1	0.75
16	1.000-20 UNEF	11.9	0.46	30.2	1.18	3.4	0.13	114.3	4.5	19.1	0.75
18	1.125-18 UNEF	11.9	0.46	30.2	1.34	3.4	0.13	114.3	4.5	19.1	0.75
20	1.250-18 UNEF	11.9	0.46	30.2	1.46	3.4	0.13	127.0	5	19.1	0.75
22	1.375-18 UNEF	11.9	0.46	30.2	1.59	3.4	0.13	127.0	5	19.1	0.75
24	1.500-18 UNEF	11.9	0.46	30.2	1.72	4.2	0.16	139.7	5.5	19.1	0.75
28	1.750-18 UNEF	13.5	-53	50.0	1.96	4.2	0.16	196.9	7.75	20.6	0.81
32	2.000-18 UNEF	13.5	-53	56.4	2.22	4.6	0.18	196.9	7.75	20.6	0.81
36	2.250-16 UN	13.5	-53	62.7	2.46	4.6	0.18	196.9	7.75	20.6	0.81
40	2.500-16 UN	13.5	-53	69.0	2.71	4.6	0.18	196.9	7.75	20.6	0.81
44	2.750-16 UN	13.5	-53	75.4	2.96	4.6	0.18	196.9	7.75	20.6	0.81
48	3.000-16 UN	13.5	-53	81.0	3.18	4.6	0.18	196.9	7.75	20.6	0.81

JANMS3180 PROTECTIVE PLUG CAPS

MIL-DTL-26482

Connector Group J

JANMS3180	10	C	A	L
Designates Plug Dust Cover	ACCESSORY SHELL SIZE	STYLE	FINISH	LENGTH
	8 10 12 14 16 18 20 22 24	C: W/ Chain R: W/ SS Rope	A: Anodized Black K: Black Zinc Nickel L: Electroless Nickel W: Cadmium	L: 5 in. Chain /Rope in lieu of standard length (Omit for st. length "H")

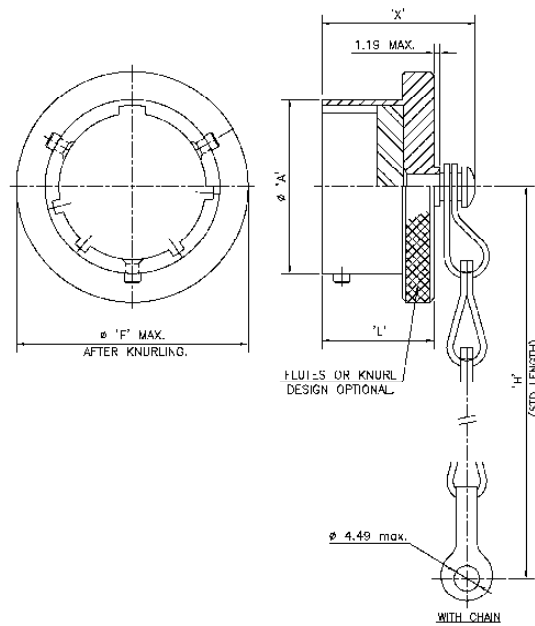


TABLE A

Accessory Shell Size	A Ø Ref.		F Ø		H Std. Length		L Max. Length		X Max. Overall	
	mm	inch	mm	inch	+12.70 / -6.35		mm	inch	mm	inch
					mm	inch				
8	12.01	0.47	18.26	0.71	76.20	3	14.27	0.56	19.84	0.78
10	14.99	0.59	21.44	0.84	76.20	3	14.27	0.56	19.84	0.78
12	19.05	0.75	25.40	1	88.90	3.5	14.27	0.56	19.84	0.78
14	22.22	0.87	28.58	1.12	88.90	3.5	14.27	0.56	19.84	0.78
16	25.40	1	31.75	1.25	88.90	3.5	14.27	0.56	19.84	0.78
18	28.58	1.12	34.92	1.37	88.90	3.5	14.27	0.56	19.84	0.78
20	31.75	1.25	38.10	1.5	101.60	4	15.88	0.62	21.44	0.84
22	34.92	1.37	41.28	1.62	101.60	4	15.88	0.62	21.44	0.84
24	38.10	1.5	44.45	1.75	101.60	4	16.71	0.65	22.22	0.87

JANMS3181 PROTECTIVE RECEPTACLE CAPS

MIL-DTL-26482

Connector Group J

JANMS3181	10	C	A	L
Designates Receptacle Dust Cover	ACCESSORY SHELL SIZE	STYLE	FINISH	LENGTH
	8 10 12 14 16 18 20 22 24	C: W/ Chain N: W/ Chain & Ring R: W/ SS Rope	A: Anodized Black K: Black Zinc Nickel L: Electroless Nickel W: Cadmium	L: 5 in. Chain /Rope in lieu of standard length (Omit for st. length "H")

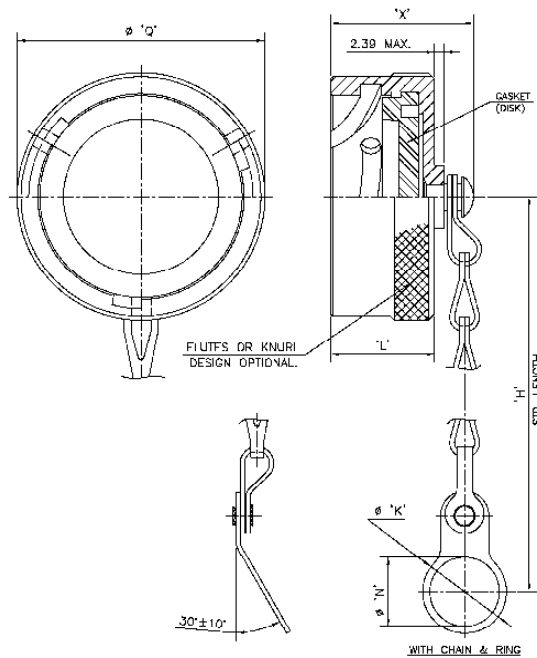


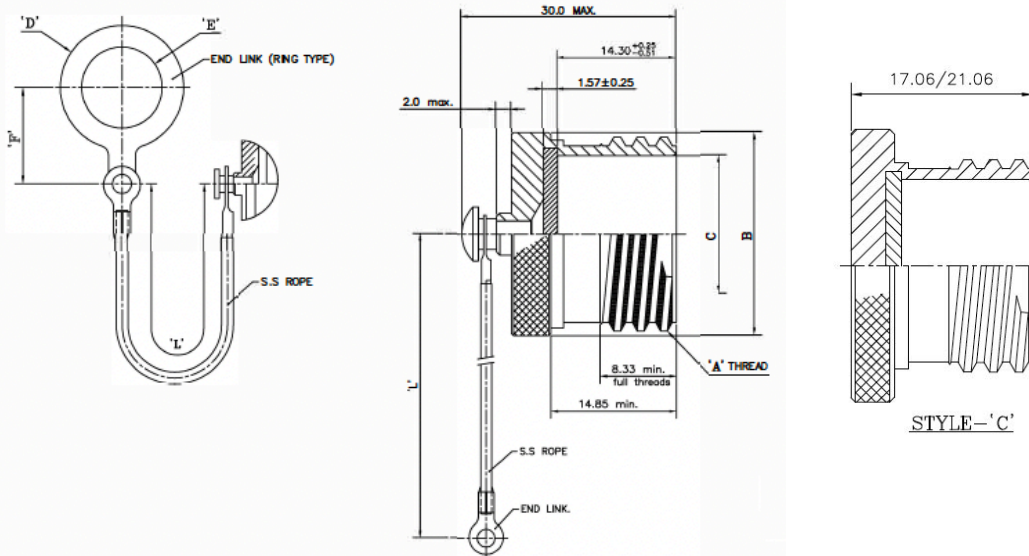
TABLE A

Accessory Shell Size	K Ø Max. Length		L Max.		Q Ø Max. Overall		H Std. Length		N Ø Min.		X Max. Overall	
	mm	inch	mm	inch	mm	inch	+12.70 / -6.35		mm	inch	mm	inch
							mm	inch				
8	20.62	0.81	14.27	0.56	18.64	0.73	76.20	3	14.68	0.57	21.44	0.84
10	25.4	1	14.27	0.56	21.82	0.85	76.20	3	17.86	0.70	21.44	0.84
12	30.18	1.18	14.27	0.56	25.40	1	88.90	3.5	22.63	0.89	21.44	0.84
14	36.53	1.43	14.27	0.56	28.58	1.12	88.90	3.5	25.81	1.01	21.44	0.84
16	39.67	1.56	14.27	0.56	31.75	1.25	88.90	3.5	28.98	1.14	21.44	0.84
18	42.88	1.68	14.27	0.56	34.92	1.37	88.90	3.5	32.16	1.26	21.44	0.84
20	47.55	1.87	14.27	0.56	38.10	1.5	101.60	4	35.33	1.39	21.44	0.84
22	49.23	1.93	14.27	0.56	41.28	1.62	101.60	4	38.51	1.51	21.44	0.84
24	52.37	2.06	15.29	0.6	44.45	1.75	101.60	4	41.68	1.64	22.22	0.87

JAND38999/32 COMPOSITE PLUG

MIL-DTL-38999 Series III

JAND38999/32	W	15	R
SERIES	FINISH	SHELL SIZE	STYLES
	J- Composite, Cadmium Olive Drab M- Composite, Electroless Nickel	9 11 13 15 17 19 21 23 25	N - With S.S. Rope & Ring R - With S.S. Rope C - Cover Only



SHELL SIZE	A THREAD 2A -0.1 P--0.3L-TS		ØB + 0.0 - 0.30		C + 0.0 - 0.15		ØD MAX		ØE MIN		F MAX/MIN		L MAX + 13.0 - 7.0	
	inch	mm	inch	mm	inch	mm	inch	mm	inch	mm	inch	mm	inch	mm
	9	0.625	15.875	0.68	17.20	0.49	12.50	0.94	24.0	0.51	12.95	0.94\0.57	24.0\14.5	5.0
11	0.750	19.05	0.81	20.50	0.62	15.75	1.06	27.0	0.71	18.03	0.81\0.71	20.5\18.0	5.0	127.0
13	0.875	22.225	0.96	24.30	0.77	19.53	1.18	30.0	0.79	20.07	1.06\0.79	27.0\20.0	5.0	127.0
15	1.000	25.4	1.08	27.40	0.89	22.71	1.22	31.0	0.91	23.11	0.89\0.71	22.5\18.0	5.0	127.0
17	1.1875	30.1625	1.20	30.60	1.02	25.88	1.46	37.0	1.02	25.91	1.20\0.93	30.5\23.5	5.0	127.0
19	1.250	31.75	1.31	33.25	1.12	28.55	1.57	40.0	1.14	28.96	1.24\0.98	31.5\25.0	5.0	127.0
21	1.375	34.925	1.43	36.40	1.25	31.72	1.73	44.0	1.26	32.00	1.30\1.04	33.0\26.5	5.0	127.0
23	1.500	38.1	1.56	39.70	1.37	34.90	1.81	46.0	1.34	34.04	1.34\1.08	34.0\27.5	5.0	127.0
25	1.625	41.275	1.69	42.80	1.50	38.07	1.93	49.0	1.54	39.12	1.50\1.18	38.0\30.0	5.0	127.0

JAND38999/33 COMPOSITE RECEPTACLE

MIL-DTL-38999 Series III

JAND38999/33	W	15	R
SERIES	FINISH	SHELL SIZE	STYLES
	J- Composite, Cadmium Olive Drab M- Composite, Electroless Nickel	9 11 13 15 17 19 21 23 25	N - With S.S. Rope & Ring R - With S.S. Rope C - Cover Only

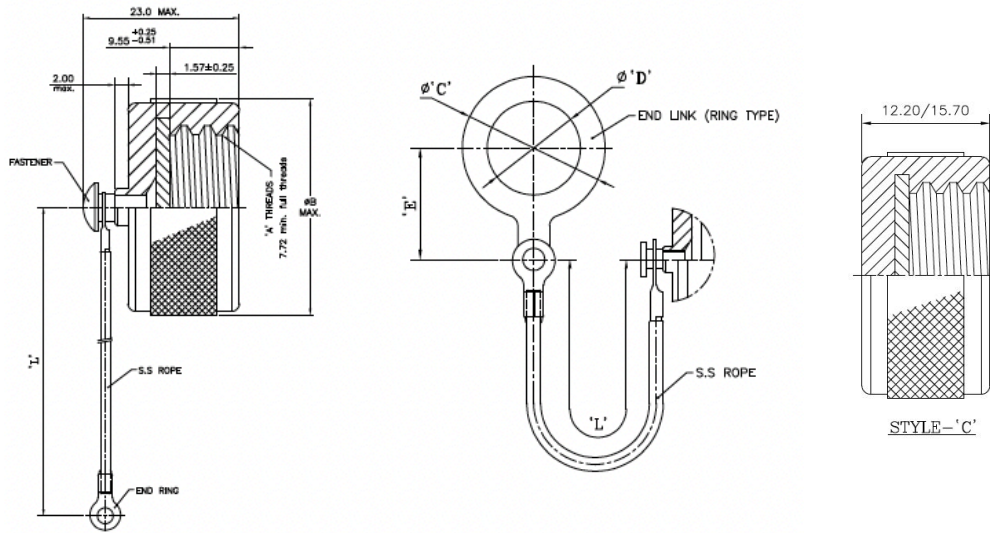


TABLE-A

SHELL SIZE	A THREAD 2A -0.1 P-0.3L-TS		B + 0.50 - 0.00		C MAX		ØD MIN		E MIN MAX/MIN		L MAX + 13.0 - 7.0	
	inch	mm	inch	mm	inch	mm	inch	mm	inch	mm	inch	mm
9	0.625	15.875	0.76	19.40	1.06	27.0	0.69	17.64	0.83\ 0.71	21.0\18.0	5.0	127.0
11	0.750	19.05	0.89	22.60	1.26	32.0	0.86	21.97	0.89\ 0.73	22.5\18.5	5.0	127.0
13	0.875	22.225	1.01	25.75	1.46	37.0	0.99	25.15	0.98\ 0.93	25.0\23.5	5.0	127.0
15	1.000	25.4	1.14	28.90	1.57	40.0	1.18	29.92	1.22\ 0.98	31.0\25.0	5.0	127.0
17	1.1875	30.1625	1.33	33.80	1.73	44.0	1.26	32.00	1.28\ 1.04	32.5\26.5	5.0	127.0
19	1.250	31.75	1.39	35.40	1.81	46.0	1.43	36.27	1.34\ 1.10	34.0\28.0	5.0	127.0
21	1.375	34.925	1.52	38.60	1.93	49.0	1.51	38.25	1.40\ 1.18	35.5\30.0	5.0	127.0
23	1.500	38.1	1.64	41.70	2.13	54.0	1.68	42.62	1.48\ 1.24	37.5\31.5	5.0	127.0
25	1.625	41.275	1.77	44.90	2.20	56.0	1.75	44.45	1.54\ 1.30	39.0\33.0	5.0	127.0

Amphenol Pcd
www.amphenolpcd.com