



## PEGASUS

Pegasus: Small, lightweight, rugged connectors



## Overview

The Pegasus Series is Amphenol Pcd's latest innovation in small, lightweight, rugged connectors. Designed for use in harsh environments, Pegasus builds on the successful Luminus Aerospace connector with the addition of EMI shielding.

EMI shielding is provided by electroless copper and nickel plate, with a copper alloy spring finger gasket to ensure shell-to-shell conductivity. Tests show between 40db and 60db of attenuation, depending on frequency. This combination of light weight, small size, and EMI shielding makes Pegasus the ideal choice where protection against ambient noise transients, or suppression of emitted noise is required, and space and weight are at a premium.

## Features & Benefits

Electroless Copper & Nickel plating	Shielding from ambient noise transients, suppression of emitted noise (DO-160G Section 21 categories B, L and M and DO-160G Section 20 categories S & T)
1/4 turn bayonet style connection	Simple and easy mate & unmate; Blind mate keying
Interfacial and Triple-Barrier Seal	Environmental sealing to IP67
Multiple Configurations	Inline, Square Flange, Oval Flange, Jamnut PCB, Circular Snap-In
Scoop-Proof	Prevents contacts from being bent or electrically shorted during mating
Stainless Steel Contact Retainers	High contact retention force over operating life cycle

## Materials & Specifications

Materials	Insulator Body: Ultem / Polyetherimide
	Grommet & Face Seal: Silicone Rubber
	Contact Retainer: Stainless Steel
	Plating: Nickel over Copper
Temperature Range	-65°C to 125°C
Temperature Life	500 hours @ 85°C
Insulation Resistance	5000 MΩ Min. @ 500 VDC
Dielectric Withstanding	1500 VAC, 60 Hz @ Sea Level, 1ma
	300 VAC, 60 Hz @ 70,000 ft, 2ma
Durability	Min 100 mating cycles; 250 typical
Temperature Cycling	5(1) Hour Cycles: -65°C to 125°C
Thermal Shock	-65°C to 200°C
Vibration	30G Sinusoidal; 43.96G Random
Shock	300G, 3msec, Half-Sine
Housing Electrical Conductivity	6 milliohm
EMI Shielding Effectiveness	65db @ 100Mhz 60db @ 200Mhz 55db @ 300Mhz 55db @ 400Mhz 45db @ 800Mhz 45db @ 1Ghz
Salt Spray	5% Salt Spray @ 95°C for 48 Hours
Humidity	10 Days @ 25°C to 65°C, 90% - 95% RH
Seal Rating	IP67

Fluid Immersion	Lubricating Oil per Mil-Prf-7808
	Cleaning Compound per Mil-Prf-87937, Alkaline Base
	Isopropyl Alcohol & Mineral Spirit Solution
	Skydrol Hydraulic Fluid
	Hydraulic Fluids per MIL-PRF-83282 MIL-PRF-87257
	Ethylene Glycol
Flammability	Propylene Glycol
	Aviation Jet A
	UL94, V0. DOTG section 26.6.2 & 26.6.3 FAR Part 25 App F Part I
RoHS & REACH Compliance	Yes
Contact Insertion & Removal Force  (not to exceed)	less than 3 lbs
	less than 5 lbs insert (sz22)
	less than 4lb remove (sz22)
	less than 12lbs insert (sz 16) less than 12lbs remove (sz 16)
Coupling Torque	greater than 10lbs
	less than 10lbs, sz 22
	less than 25lbs, sz 16
	less than 5lbs

## Applications

- Aviation & vehicle actuators
- Missile guidance & control systems
- Avionic sensors
- UAV control systems
- In-Flight Entertainment



## Shell Sizes

05 (max dia: 0.318 in.)



2, size 22



3, size 22

10 (max dia: 0.630 in.)



9: 4, size 16; 5 size 22



10: 4, size 16; 6 size 22

07 (max dia: 0.448)



6, size 22



8, size 22

11 (max dia: 0.700 in.)



3, size 12



3, size 16

08 (max dia: 0.528 in.)



4, size 16



5, size 22



9: 1, size 16; 8 size 22



9, size 22



3, size 16

14 (max dia: 0.875 in.)



25, size 22

## Part Numbering: Twist & Lock



# of Positions	Contact Size	Shell Size	Key	Color	Plug	Inline	Circular	Square	Jamnut	Oval	Jamnut Rear Mount
1	Quadrax	8	-	-	SJS801110P	SJS801120P	-	SJS801130P*	SJS801160P*	SJS801170P*	SJS801190P*
2	22D	5	-	Black	SJS830250P	SJS830270P	-	-	SJS502160P	SJS502170P	SJS502190P
3	12	10	-	-	SJS003110P*	SJS003120P*	-	-	-	-	-
3	16	8	A	White	SJS840310P	SJS840300P	SJS840320P	SJS803730P*	-	-	-
3	16	8	B	Black	SJS840340P	SJS840350P	SJS840330P	SJS803130P*	-	-	-
3	20	7	-	White	SJS862300P	SJS862400P	-	SJS862450P	-	-	-
3	22D	5	-	Black	SJS830210P	SJS830230P	-	-	SJS503160P	SJS503170P	SJS503190P
4	16	8	A	White	SJS840410P	SJS840400P	SJS840420P	SJS840740P	SJS840760P*	-	SJS840790P*
4	16	8	B	Green	SJS840440P	SJS840450P	SJS840430P*	-	-	-	-
4	20	7	-	Black	SJS704110P	SJS704120P	SJS704130P*	-	-	-	-
5	22D	8	-	White	SJS860510P	SJS860500P	SJS860520P	SJS805730P	-	-	-
5	22D	8	-	White	SJS870510P	SJS860510P	SJS870520P	-	-	-	-
6	22D	7	-	Black	SJS861700P	SJS861800P	-	-	SJS706160P	-	-
8	22D	7	A	Black	SJS830100P	SJS830200P	-	SJS830220P	SJS708160P	SJS708170P	SJS708190P
8	22D	7	B	Green	SJS830101P	SJS830201P	-	SJS830221P	-	-	-
8	22D	7	C	Yellow	SJS830102P	SJS830202P	-	SJS830222P	-	-	-
9	22D	8	-	Black	SJS862100P	SJS862200P	-	SJS809130P*	-	-	-
12	16	14	-	Black	SJS412110P*	SJS412120P*	-	-	-	-	-
12	22D	8	-	White	SJS861300P	SJS861400P	-	SJS812730P	SJS812760P*	-	-
12	22D	11	A	Black	SJS112110P	SJS112120P	-	-	SJS112160P	-	-
12	22D	11	B	Green	SJS112210P	SJS112220P	-	-	SJS112260P	-	-
12	22D	11	C	White	SJS112310P	SJS112320P	-	-	SJS112360P	-	-
12	22D	11	D	Yellow	SJS112410P	SJS112420P	-	-	SJS112460P	-	-
25	22D	14	A	Black	SJS425110P	SJS425120P	-	-	SJS425160P	-	-
25	22D	14	B	Green	SJS425210P	SJS425220P	-	-	SJS425260P	-	-
25	22D	14	C	White	SJS425310P	SJS425320P	-	-	SJS425360P	-	-
25	22D	14	D	Yellow	SJS425410P	SJS425420P	-	-	SJS425460P	-	-
5	12 (3) 22 (2)	11	-	Black	SJS1AE110P*	SJ1AE120P*	-	-	-	-	-
9	16 (1) 22D (8)	8	-	White	SJS860100P	SJS860200P	-	-	-	-	-
9	16 (4) 22D (5)	10	-	White	SJS860910P	SJS860900P	-	SJS0AA730P	-	-	-
10	16 (4) 22D (6)	10	-	White	SJS861100P	SJS861200P	SJS0AB730P*	-	-	SJS0AB770P	-

\* Available at extended lead times

---

## Index

Type	Page
Inline Plug	6
Inline Receptacle	15
Jamnut Rear Mount	24
Jamnut	26
Square Receptacle	30
Oval Receptacle	33
Circular Receptacle	36
Accessories	38
Contacts	38
Tooling	39-40

## More from Amphenol Pcd's Pegasus Series

### Nano-Pegasus

Nano-Pegasus builds upon Amphenol Pcd's success in light weight, plastic circular connectors in the aerospace market, in a very small way. Nano-Pegasus is a small, plastic, Easy-to-Use connector designed specifically for sensing, command and control applications where a Micro or Nano Dsub would be used. Nano-Pegasus provides exceptional performance in tight spaces, packing 11 high grade contacts in a shell size 5 housing (0.325" outer diameter). That's equivalent to 132 contacts per square inch! Contacts are rated for 1a, 350 Vdc operation. With 0.050" spacing, this gives 500 Vdc insulation resistance, and 350 Vac dielectric withstanding at 70k feet.

Scoop proof construction and enclosed contacts protect the small gauge contacts during mating. When mated, IP67 sealing is guaranteed by the interfacial seal, helping ensure the contacts are free from dust, moisture and corrosion. Unlike many of the competitive connectors, which are multi-piece assemblies, Nano-Pegasus is a single piece housing, impervious to humidity and dust, further enhancing clean, crack free operations over the full operating temperature and environmental conditions. Shells are a high grade polyetherimide construction, providing a temperature range of -65C to +175C, and high mating cycles. Nano-Pegasus adds a copper & nickel overplate, providing 40db to 60db EMI shielding.

### Pegasus High Speed

Amphenol Pcd has expanded the Pegasus capability to support industry standard TWINAX and QUADRAX style contacts. Pegasus High Speed brings an Easy-to-Use, light weight, low cost connection solution to applications that have typically relied on heavier, more complicated, and therefore more expensive, metal shell connectors.

Supporting the AS39029/90, /91, /113, /114 Twinax and ARINC600, ARINC404, AS39029/119, /120 Quadrax rear release, rear removable, size 8 style contacts, Pegasus High Speed provides exceptional performance in tight spaces, with a svelte shell size 8 (0.512") outer diameter. With the explosive growth in ethernet enabled devices (IOT,) this is size and configuration is particularly suited for end point applications, such as individual avionics sensors, panel mounted units, seat back and wall mounted displays and monuments.

Scoop proof construction and molded in alignment keys help protect the small gauge contacts during mating. When mated, IP67 sealing is guaranteed by the interfacial seal, helping ensure the contacts are free from dust, moisture and corrosion. A triple riser grommet sealing boot provides back end sealing on the wire side.

Compatibility with standard Pegasus shell sizes means many of the currently available tape and screw mount cradle accessories are supported, easing installation and mounting tasks.

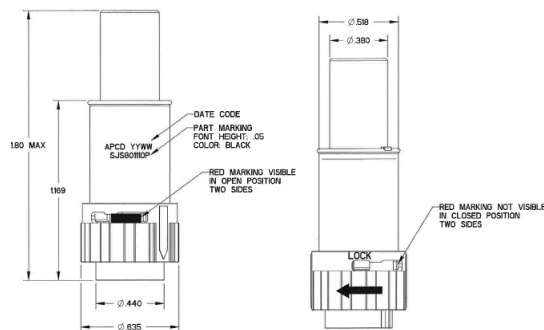
## Inline Plug

Type	Part Number	Position	Size	Page
Inline Plug	SJS830250P	2	8	7
	SJS840310P	3	16	7
	SJS862300P	3	20	8
	SJS830210P	3	22	8
	SJS840410P	4	16	9
	SJSB104110P	4	16	9
	SJS704110P	4	20	10
	SJS860510P	5	22	10
	SJS861700P	6	22	11
	SJS830100P	8	22	11
	SJS860100P	9	16 & 22	12
	SJS860910P	9	16 & 22	12
	SJS862100P	9	22	13
	SJS861300P	12	22	13
	SJS112110P	12	22	14
	SJS425110P	25	22	14

## 1 Position, Size 8 Inline Plug High Speed

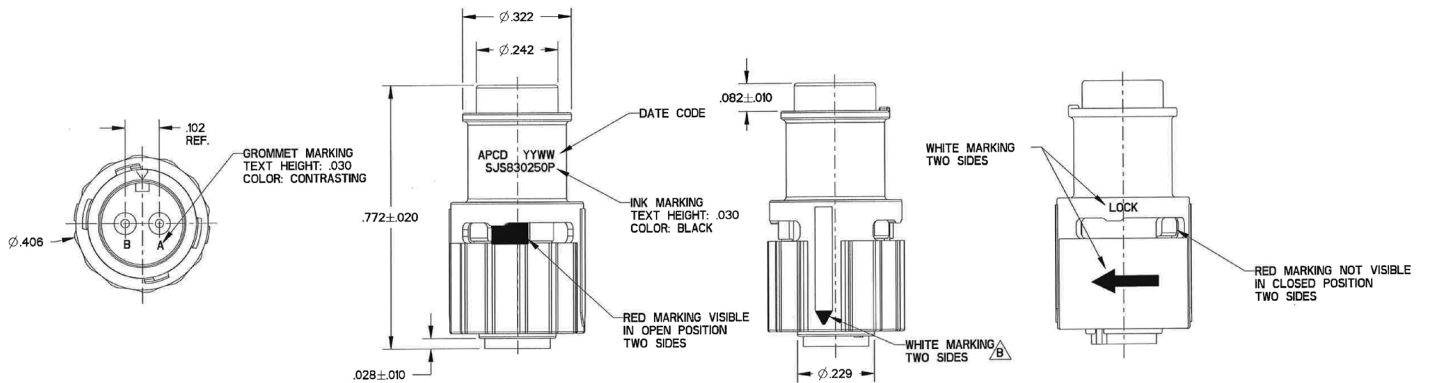
Contact P/N Dependent on Cable Type

APCD P/N	Contact Type	Contact P/N	Shell Size	Key	Color	P/N Marking	Mating
SJS801110P	None		8	-	Black	SJS801110P	SJS801120P
SJS801110P-1	Power	CNS808100					SJS801120P-1
SJS801110P-2	Differential Twinax	CNS882100					SJS801120P-2
SJS801110P-3		CNS882110					SJS801120P-3
SJS801110P-4		CNS882120					SJS801120P-4
SJS801110P-5		CNS882130					SJS801120P-5
SJS801110P-6		CNS882140					SJS801120P-6
SJS801110P-7		CNS882150					SJS801120P-7
SJS801110P-8	Quadrax	CNS882200					SJS801120P-8
SJS801110P-9		CNS882210					SJS801120P-9
SJS801110P-10		CNS882220					SJS801120P-10
SJS801110P-11		CNS882230					SJS801120P-11
SJS801110P-12		CNS882240					SJS801120P-12
SJS801110P-13		CNS882250	SJS801120P-13				



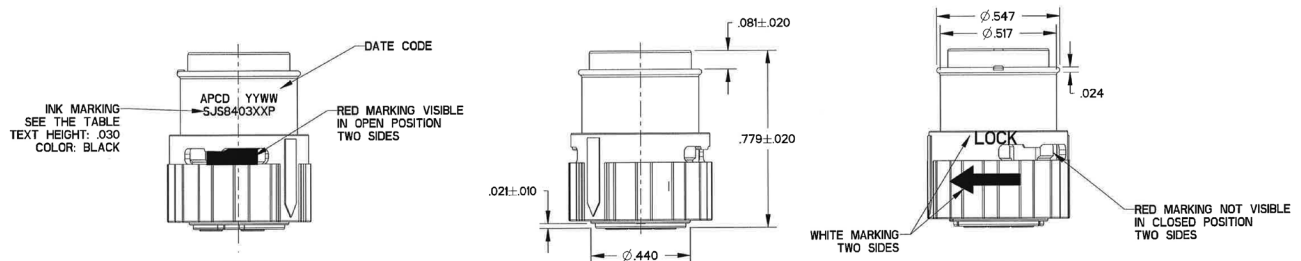
## 2 Position, Size 22 Inline Plug

APCD P/N	# of Contacts	Contact Size	Contact P/N	Shell Size	Key	Color	P/N Marking	Mating
SJS830250P	None			5	-	Black	SJS830250P	SJS830270P SJS502170P SJS502190P
SJS830251P	2	22	M39029/57-354					



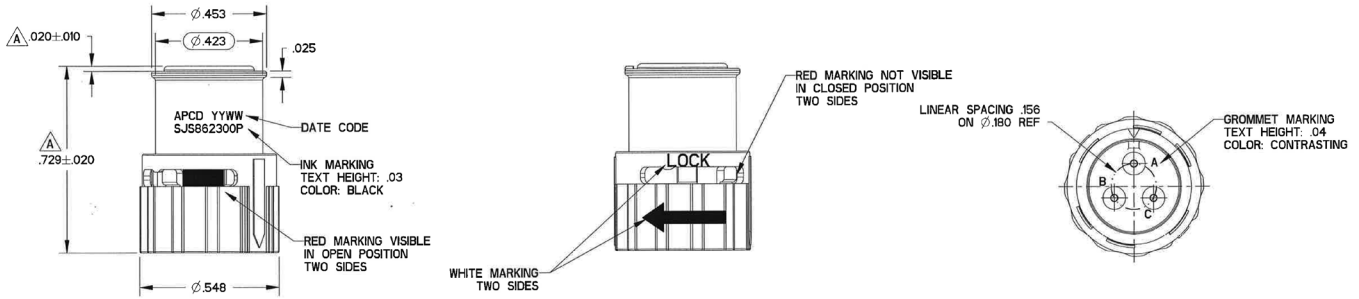
## 3 Position, Size 16 Inline Plug

APCD P/N	# of Contacts	Contact Size	Contact P/N	Shell Size	Key	Color	P/N Marking	Mating
SJS840310P	None			8	A	White	SJS840310P	SJS840300P SJS840320P
SJS840311P	3	16	M39029/57-358					
SJS840340P	None				B	Black	SJS840340P	SJS840350P SJS840330P
SJS840341P	3	16	M39029/57-358					



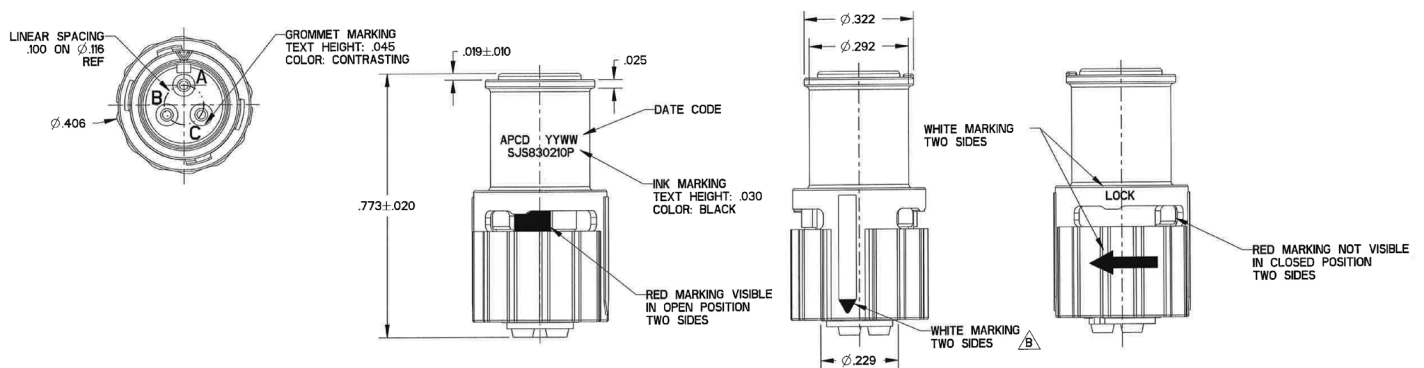
## 3 Position, Size 20 Inline Plug

APCD P/N	# of Contacts	Contact Size	Contact P/N	Shell Size	Key	Color	P/N Marking	Mating
SJS862300P	None			7	-	White	SJS862300P	SJS862400P SJS862450P
SJS862301P	3	20	M39029/57-357					



## 3 Position, Size 22 Inline Plug

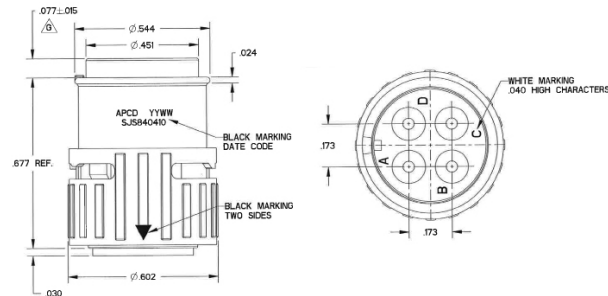
APCD P/N	# of Contacts	Contact Size	Contact P/N	Shell Size	Key	Color	P/N Marking	Mating
SJS830210P	None			5	-	Black	SJS830210P	SJS830230P SJS503170P SJS503190P
SJS830211P	3	22	M39029/57-354					





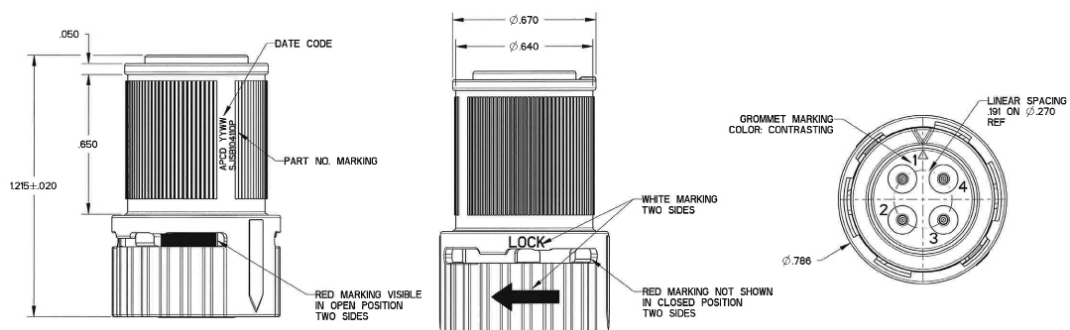
## 4 Position, Size 16 Inline Plug

APCD P/N	# of Contacts	Contact Size	Contact P/N	Shell Size	Key	Color	P/N Marking	Mating
SJS840410P	None			8	A	White	SJS840410P	SJS840400P SJS840420P SJS840740P
SJS840411P	4	16	M39029/57-358					
SJS840440P	None			8	B	Green	SJS840440P	SJS840450P
SJS840441P	4	16	M39029/57-358					



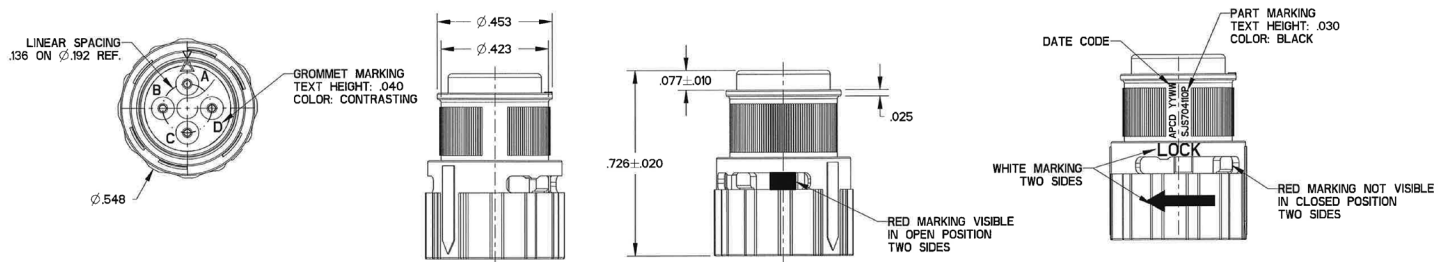
## 4 Position, Size 16 Inline Plug

APCD P/N	# of Contacts	Contact Size	Contact P/N	Shell Size	Key	Color	P/N Marking	Mating
SJSB104110P	None			11	-	Black	SJSB104110P	SJS104120P
SJSB104111P	4	16	M39029/56-352					



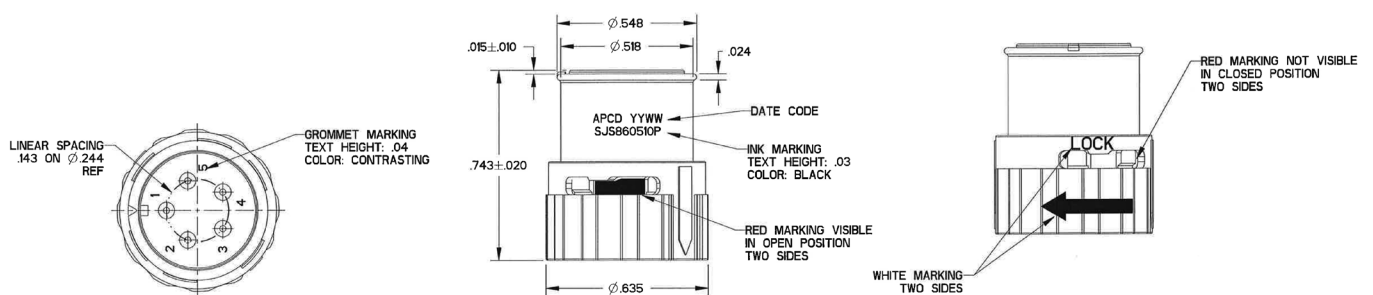
## 4 Position, Size 20 Inline Plug

APCD P/N	# of Contacts	Contact Size	Contact P/N	Shell Size	Key	Color	P/N Marking	Mating
SJS704110P	None			7	-	Black	SJS704110P	SJS704120P
SJS704111P	4	20	M39029/57-357					



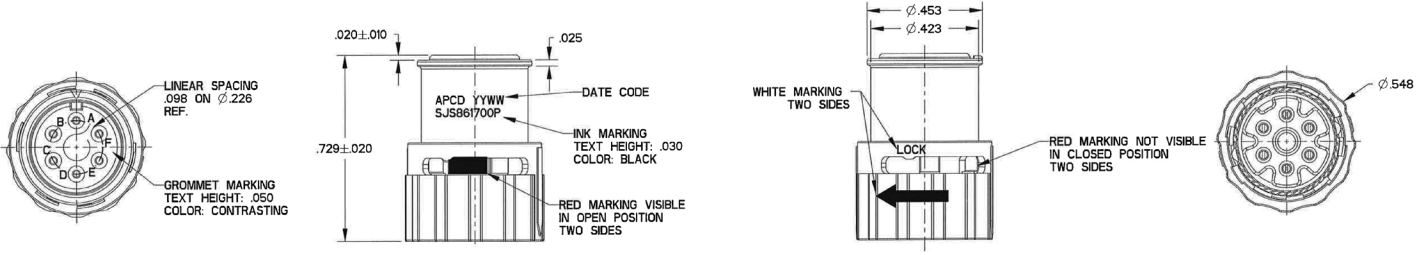
## 5 Position, Size 22 Inline Plug

APCD P/N	# of Contacts	Contact Size	Contact P/N	Shell Size	Gender	Color	P/N Marking	Mating
SJS860510P	None			8	Female	White	SJS860510P	SJS860500P
SJS860511P	5	22	M39029/57-354					SJS860520P
SJS870510P	None				Male		SJS870510P	SJS870520P
SJS870511P	5	22	M39029/57-354					



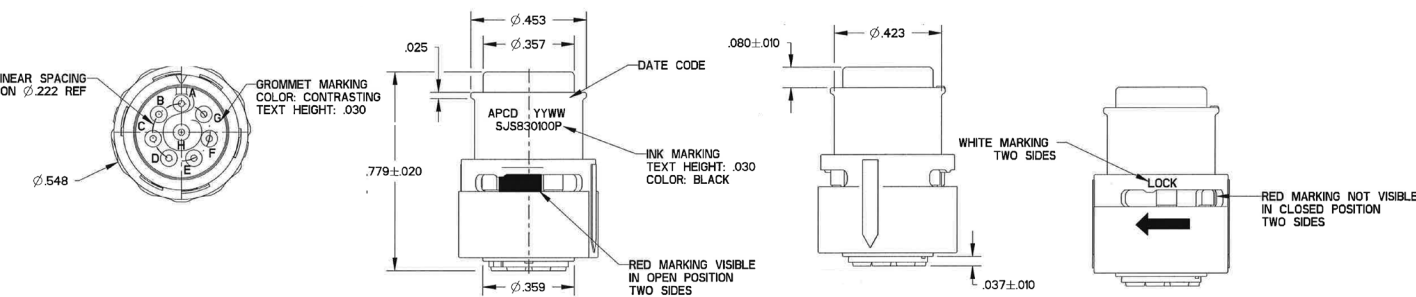
## 6 Position, Size 22 Inline Plug

APCD P/N	# of Contacts	Contact Size	Contact P/N	Shell Size	Key	Color	P/N Marking	Mating
SJS861700P	None			7	-	Black	SJS861700P	SJS861800P SJS706160P
SJS861701P	6	22	M39029/57-354					



## 8 Position, Size 22 Inline Plug

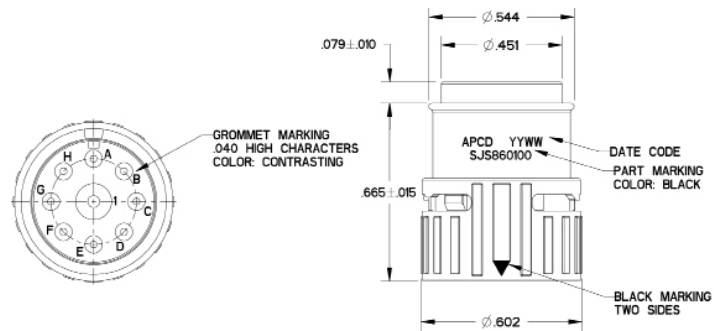
APCD P/N	# of Contacts	Contact Size	Contact P/N	Shell Size	Key	Color	P/N Marking	Mating
SJS830100P	None			7	A	Black	SJS830100P	SJS830200P SJS830220P SJS708160P SJS708190P SJS708180P*
SJS831100P	8	22	M39029/57-354					
SJS830101P	None				B	Green	SJS830101P	SJS830201P SJS830221P
SJS831101P	8	22	M39029/57-354					
SJS830102P	None				C	Yellow	SJS830102P	SJS830202PS- JS830222P
SJS831102P	8	22	M39029/57-354					



# PEGASUS

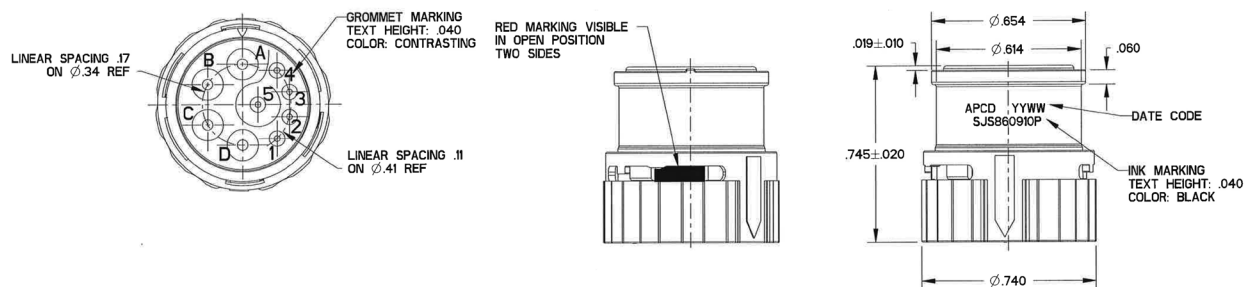
## 9 Position, Size 16 & 22 Inline plug

APCD P/N	# of Contacts	Contact Size	Contact P/N	Shell Size	Key	Color	P/N Marking	Mating
SJS860100P	None			8	-	White	SJS860100P	SJS860200P
SJS860101P	1	16	M39029/57-358					
	8	22D	M39029/57-354					



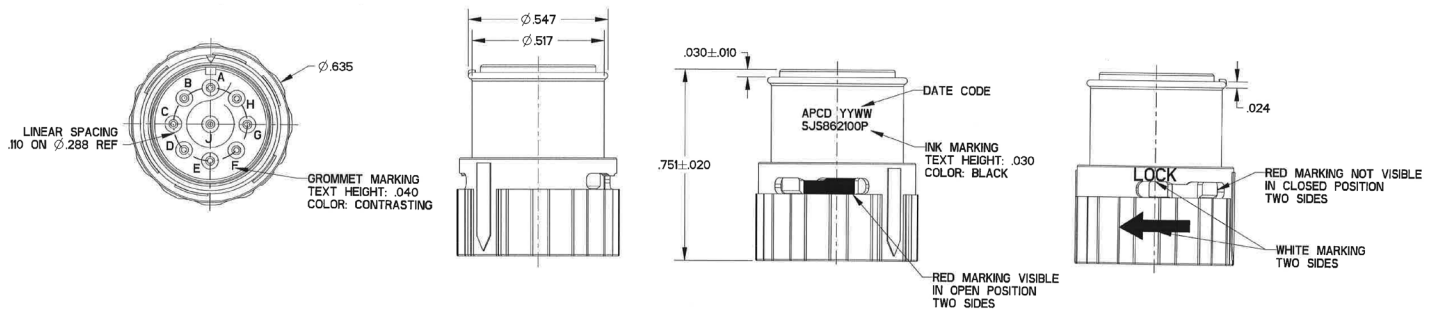
## 9 Position, Size 16 & 22 Inline Plug

APCD P/N	# of Contacts	Contact Size	Contact P/N	Shell Size	Key	Color	P/N Marking	Mating
SJS860910P	None			10	-	White	SJS860910P	SJS860900P SJS0AA730P
SJS860911P	5	22/22D	M39029/57-354					
	4	16	M39029/57-358					
SJS860917P	5	22/22D	M39029/57-354					
	3	16	M39029/57-358					
	1	16 Coax	M39029/78-432					



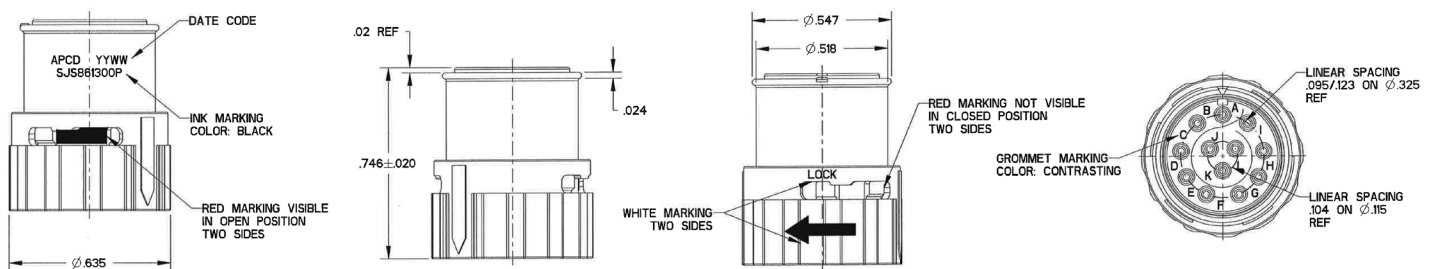
## 9 Position, Size 22 Inline Plug

APCD P/N	# of Contacts	Contact Size	Contact P/N	Shell Size	Key	Color	P/N Marking	Mating
SJS862100P	None			8	-	Black	SJS862100P	SJS862200P SJS809130P*
SJS862101P	9	22	M39029/57-354					



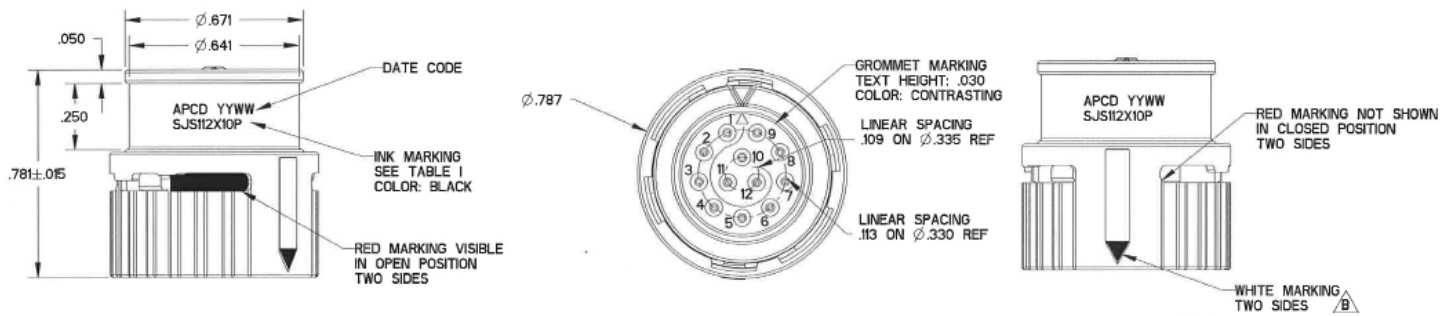
## 12 Position, Size 22 Inline Plug

APCD P/N	# of Contacts	Contact Size	Contact P/N	Shell Size	Key	Color	P/N Marking	Mating
SJS861300P	None			8	-	White	SJS861300P	SJS861400P SJS812730P SJS812760P*
SJS861301P	12	22	M39029/57-354					



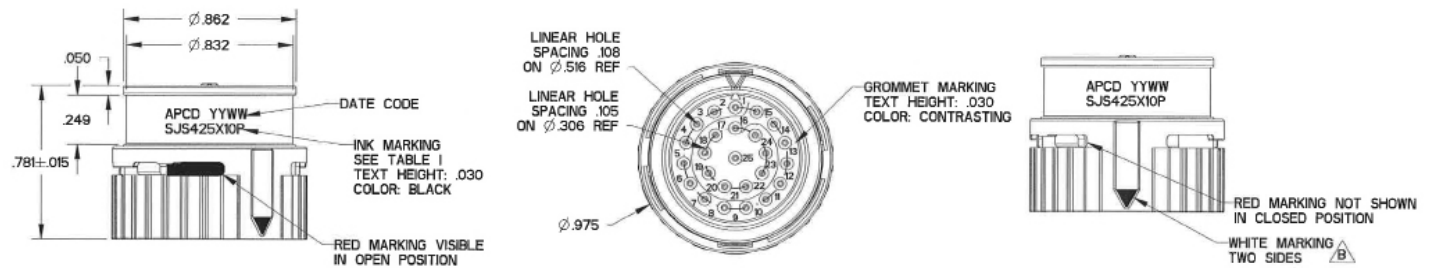
## 12 Position, Size 22 Inline Plug

APCD P/N	# of Contacts	Contact Size	Contact P/N	Shell Size	Key	Color	P/N Marking	Mating
SJS112110P	None			11	A	Black	SJS112110P	SJS112120P SJS112160P
SJS112111P	12	22	M39029/57-354					
SJS112210P	None							
SJS112211P	12	22	M39029/57-354					
SJS112310P	None				B	Green	SJS112210P	SJS112220P SJS112260P
SJS112311P	12	22	M39029/57-354					
SJS112410P	None							
SJS112411P	12	22	M39029/57-354					



## 25 Position, Size 22 Inline Plug

APCD P/N	# of Contacts	Contact Size	Contact P/N	Shell Size	Key	Color	P/N Marking	Mating
SJS425110P	None			14	A	Black	SJS425110P	SJS425120P SJS425160P
SJS425111P	25	22	M39029/57-354					
SJS425210P	None							
SJS425211P	25	22	M39029/57-354					
SJS425310P	None				B	Green	SJS425210P	SJS425220P SJS425260P
SJS425311P	25	22	M39029/57-354					
SJS425410P	None							
SJS425411P	25	22	M39029/57-354					



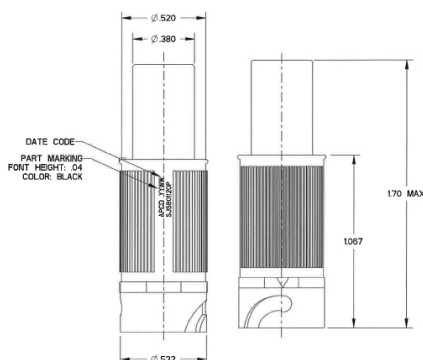
## Inline Receptacle

Type	Part Number	Position	Size	Page
Inline Receptacle	SJS830270P	2	22	16
	SJS840300P	3	16	16
	SJS862400P	3	20	17
	SJS830230P	3	22	17
	SJS840400P	4	16	18
	SJS104120P	4	16	18
	SJS704120P	4	16	19
	SJS860500P	5	22	19
	SJS861800P	6	22	20
	SJS830200P	8	22	20
	SJS860200P	9	16 & 22	21
	SJS860900P	9	16 & 22	21
	SJS862200P	9	22	22
	SJS861400P	12	2	22
	SJS112120P	12	22	23
	SJS425120P	25	22	23

## 1 Position, Quadrax Inline Receptacle High Speed

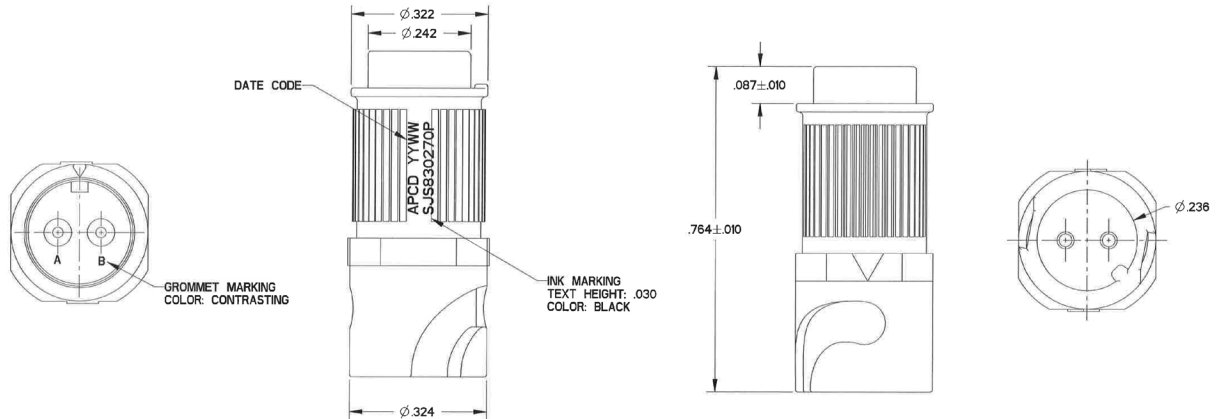
Contact P/N Dependent on Cable Type

APCD P/N	Contact Type	Contact P/N	Shell Size	Key	Color	P/N Marking	Mating
SJS801120P	None		8	-	Black	SJS801110P	SJS801110P
SJS801120P-1	Power	CNS808100					SJS801110P-1
SJS801120P-2	Differential Twinax	CNS882100					SJS801110P-2
SJS801120P-3		CNS882110					SJS801110P-3
SJS801120P-4		CNS882120					SJS801110P-4
SJS801120P-5		CNS882130					SJS801110P-5
SJS801120P-6		CNS882140					SJS801110P-6
SJS801120P-7		CNS882150					SJS801110P-7
SJS801120P-8		Quadrax					CNS882200
SJS801120P-9	CNS882210						SJS801110P-9
SJS801120P-10	CNS882220						SJS801110P-10
SJS801120P-11	CNS882230						SJS801110P-11
SJS801120P-12	CNS882240						SJS801110P-12
SJS801120P-13	CNS882250						SJS801110P-13



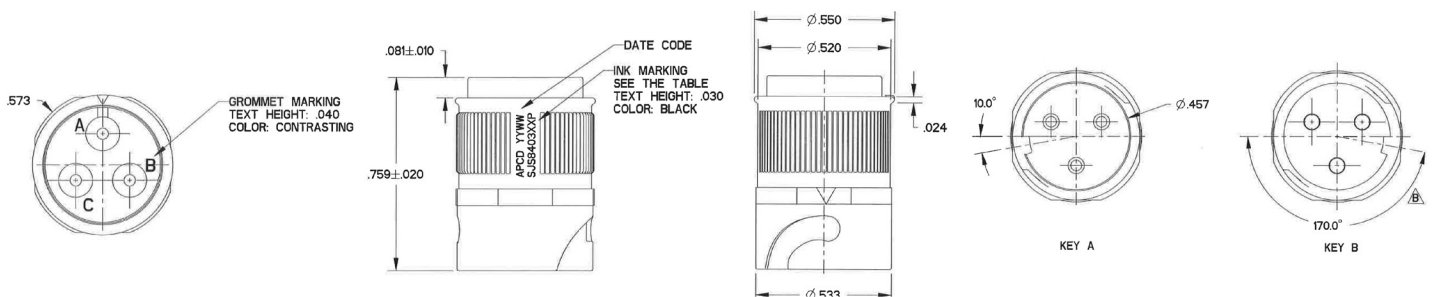
## 2 Position, Size 22 Inline Receptacle

APCD P/N	# of Contacts	Contact Size	Contact P/N	Shell Size	Key	Color	P/N Marking	Mating
SJS830270P	None			5	-	Black	SJS830270P	SJS830250P
SJS53o271P	2	22	M39029/58-360					



## 3 Position, Size 16 Inline Receptacle

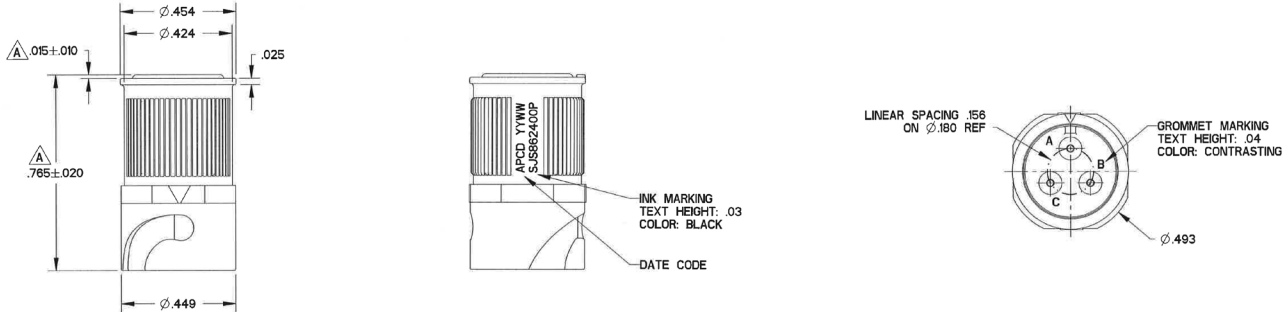
APCD P/N	# of Contacts	Contact Size	Contact P/N	Shell Size	Key	Color	P/N Marking	Mating
SJS840300P	None			8	A	White	SJS840300P	SJS840310P
SJS840301P	3	16	M39029/58-364					
SJS840350P	None				B	Black	SJS840350P	SJS840340P
SJS840351P	3	16	M39029/58-364					





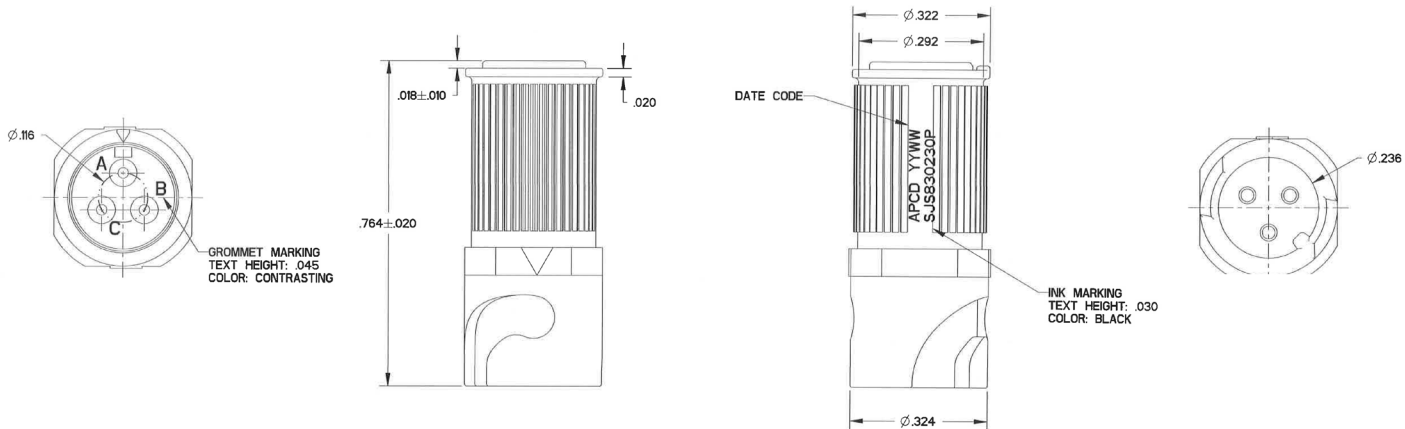
## 3 Position, Size 20 Inline Receptacle

APCD P/N	# of Contacts	Contact Size	Contact P/N	Shell Size	Key	Color	P/N Marking	Mating
SJS862400P	None			7	-	White	SJS862400P	SJS862300P
SJS862401P	3	20	M39029/58-363					



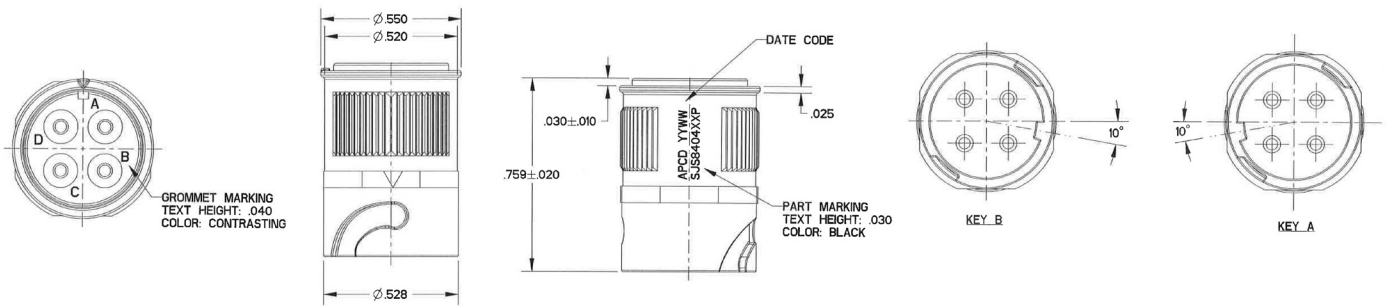
## 3 Position, Size 22 Inline Receptacle

APCD P/N	# of Contacts	Contact Size	Contact P/N	Shell Size	Key	Color	P/N Marking	Mating
SJS830230P	None			5	-	Black	SJS830230P	SJS830210P
SJS830231P	3	22	M39029/58-360					



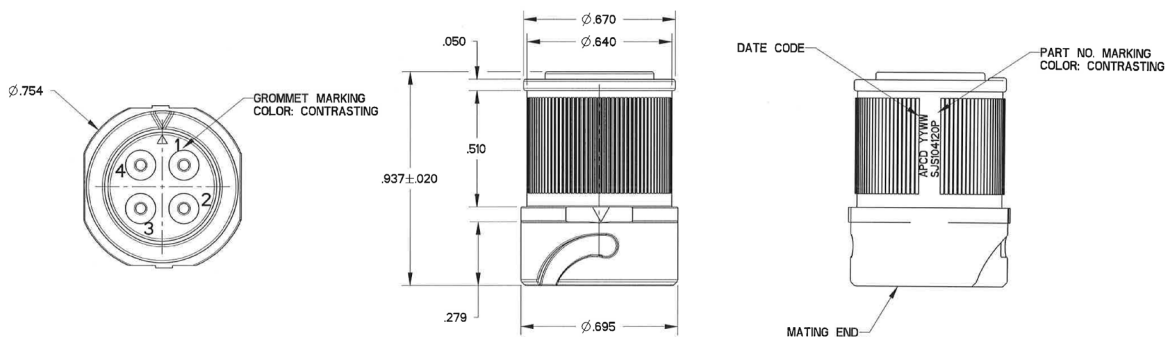
4 Position, Size 16 Inline Receptacle

APCD P/N	# of Contacts	Contact Size	Contact P/N	Shell Size	Key	Color	P/N Marking	Mating
SJS840400P	None			8	A	White	SJS840400P	SJS840410P
SJS840401P	4	16	M39029/58-364		B		SJS840450P	SJS840440P
SJS840450P	None						SJS840450P	SJS840440P
SJS840451P	4	16	M39029/58-364					



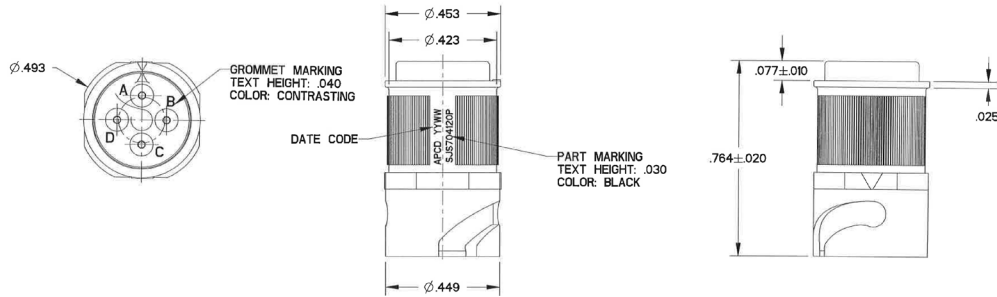
4 Position, Size 16 Inline Receptacle

APCD P/N	# of Contacts	Contact Size	Contact P/N	Shell Size	Key	Color	P/N Marking	Mating
SJS104120P	None			11	-	Black	SJS104120P	SJSB104110P
SJS104121P	4	16	M39029/58-364					



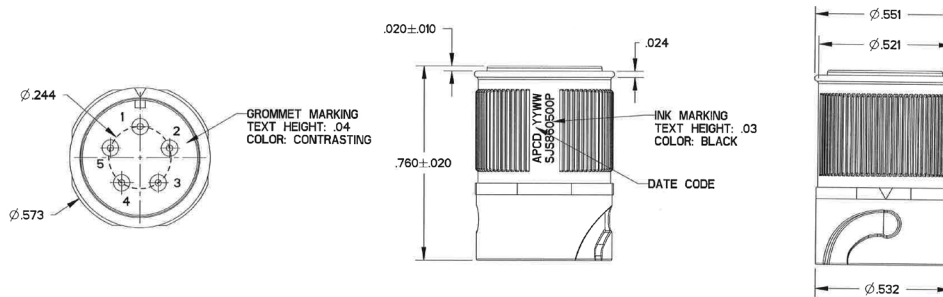
## 4 Position, Size 20 Inline Receptacle

APCD P/N	# of Contacts	Contact Size	Contact P/N	Shell Size	Key	Color	P/N Marking	Mating
SJS704120P	None			7	-	Black	SJS704120P	SJS704110P
SJS704121P	4	20	M39029/58-363					



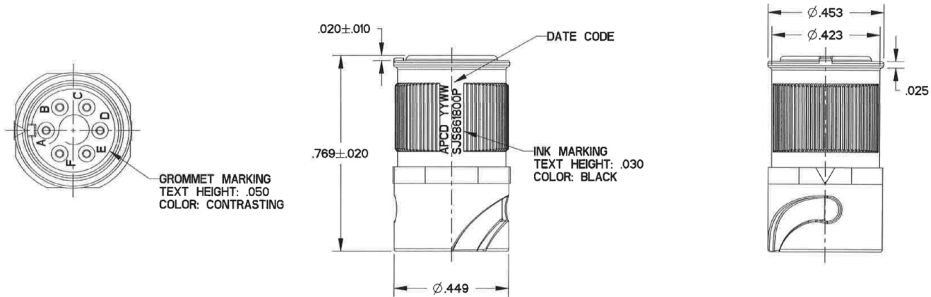
## 5 Position, Size 22 Inline Receptacle

APCD P/N	# of Contacts	Contact Size	Contact P/N	Shell Size	Key	Color	P/N Marking	Mating
SJS860500P	None			8	-	White	SJS860500P	SJS860510P
SJS860501P	5	22	M39029/58-360					



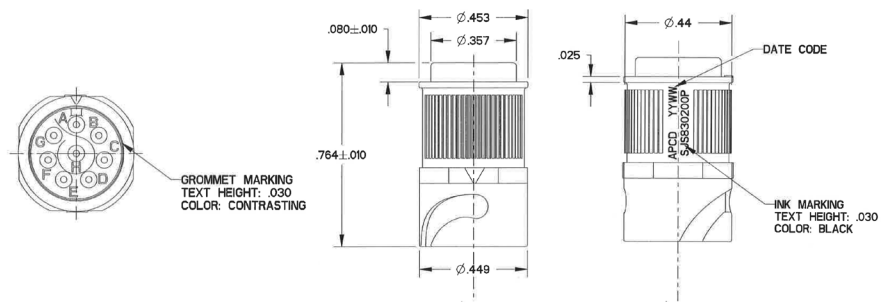
## 6 Position, Size 22 Inline Receptacle

APCD P/N	# of Contacts	Contact Size	Contact P/N	Shell Size	Key	Color	P/N Marking	Mating
SJS861800P	None			7	-	Black	SJS861800P	SJS861700P
SJS861801P	6	22	M39029/58-360					



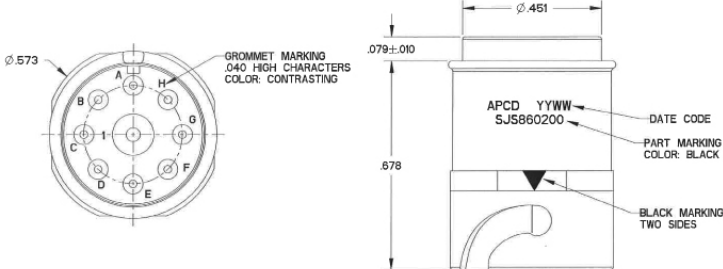
## 8 Position, Size 22 Inline Receptacle

APCD P/N	# of Contacts	Contact Size	Contact P/N	Shell Size	Key	Color	P/N Marking	Mating
SJS830200P	None			7	A	Black	SJS830200P	SJS830100P
SJS831200P	8	22	M39029/58-360					
SJS830201P	None				B	Green	SJS830201P	SJS830101P
SJS831201P	8	22	M39029/58-360					
SJS830202P	None				C	Yellow	SJS830202P	SJS830102P
SJS831202P	8	22	M39029/58-360					



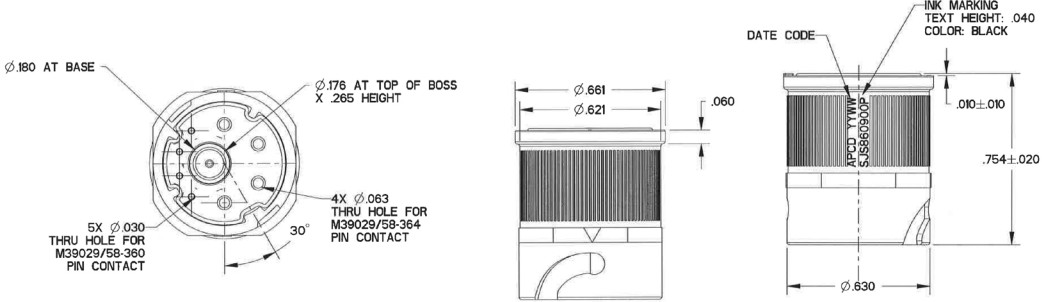
## 9 Position, Size 16 & 22 Inline Receptacle

APCD P/N	# of Contacts	Contact Size	Contact P/N	Shell Size	Key	Color	P/N Marking	Mating
SJS860200P	None			8	-	White	SJS860200P	SJS860100P
SJS860201P	1	16	M39029/57-358					
	8	22D	M39029/57-354					



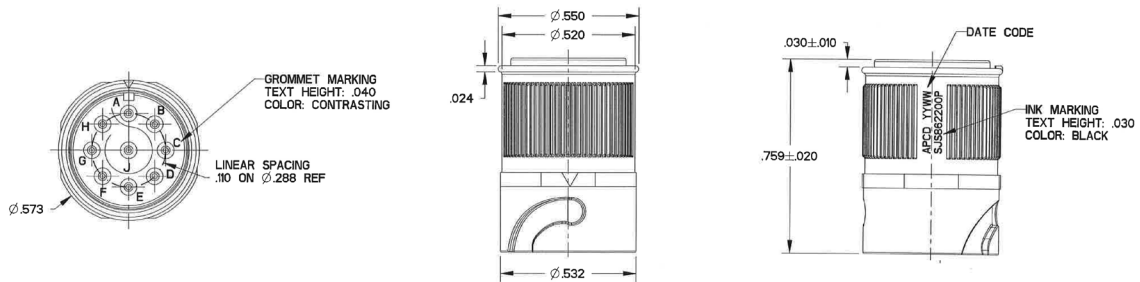
## 9 Position, Size 16 & 22 Inline Receptacle

APCD P/N	# of Contacts	Contact Size	Contact P/N	Shell Size	Key	Color	P/N Marking	Mating
SJS860900P	None			10	-	White	SJS860900P	SJS860910P
SJS860901P	5	22	M39029/58-360					
	4	16	M39029/58-364					



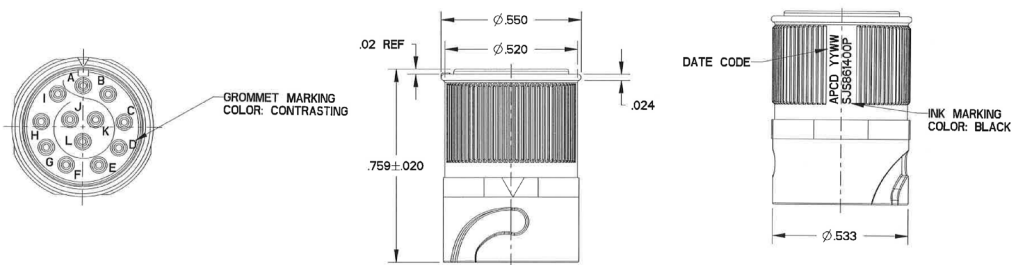
## 9 Position, Size 22 Inline Receptacle

APCD P/N	# of Contacts	Contact Size	Contact P/N	Shell Size	Key	Color	P/N Marking	Mating
SJS862200P	None			8	-	Black	SJS862200P	SJS862100P
SJS862201P	9	22	M39029/58-360					



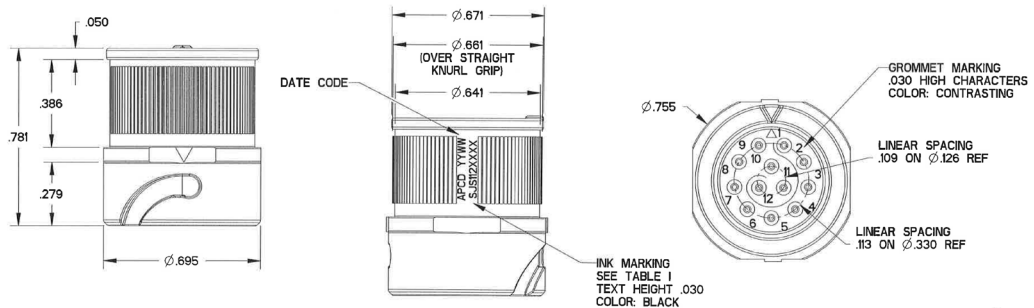
## 12 Position, Size 22 Inline Receptacle

APCD P/N	# of Contacts	Contact Size	Contact P/N	Shell Size	Key	Color	P/N Marking	Mating
SJS861400P	None			8	-	White	SJS861400P	SJS861300P
SJS861401P	12	22	M39029/58-360					



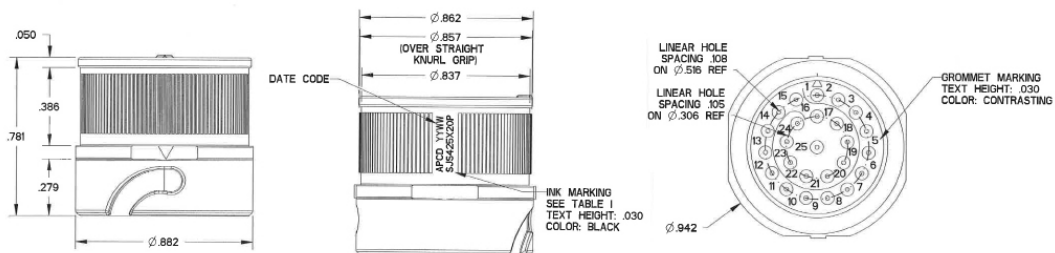
## 12 Position, Size 22 Inline Receptacle

APCD P/N	# of Contacts	Contact Size	Contact P/N	Shell Size	Key	Color	P/N Marking	Mating
SJS112120P	None			11	A	Black	SJS112120P	SJS112110P
SJS112121P	12	22	M39029/58-360					
SJS112220P	None							
SJS112221P	12	22	M39029/58-360					
SJS112320P	None							
SJS112321P	12	22	M39029/58-360					
SJS112420P	None							
SJS112421P	12	22	M39029/58-360					



## 25 Position, Size 22 Inline Receptacle

APCD P/N	# of Contacts	Contact Size	Contact P/N	Shell Size	Key	Color	P/N Marking	Mating
SJS425120P	None			14	A	Black	SJS425120P	SJS425110P
SJS425121P	25	22	M39029/58-360					
SJS425220P	None							
SJS425221P	25	22	M39029/58-360					
SJS425320P	None							
SJS425321P	25	22	M39029/58-360					
SJS425420P	None							
SJS425421P	25	22	M39029/58-360					

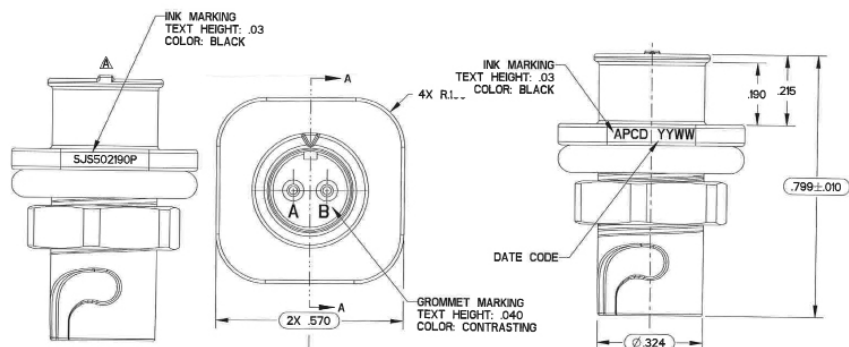


## Jamnut Rear Mount Receptacle

Type	Part Number	Position	Size	Page
Jamnut Rear Mount Receptacle	SJS502190P	2	22	24
	SJS503190P	3	22	25
	SJS804790P	4	16	25

## 2 Position, Size 22 Jamnut Rear Mount Receptacle

APCD P/N	# of Contacts	Contact Size	Contact P/N	Shell Size	Key	Color	P/N Marking	Mating
SJS502190P	None			5	-	Black	SJS502190P	SJS830250P
SJS502191P	2	22	M39029/58-360					

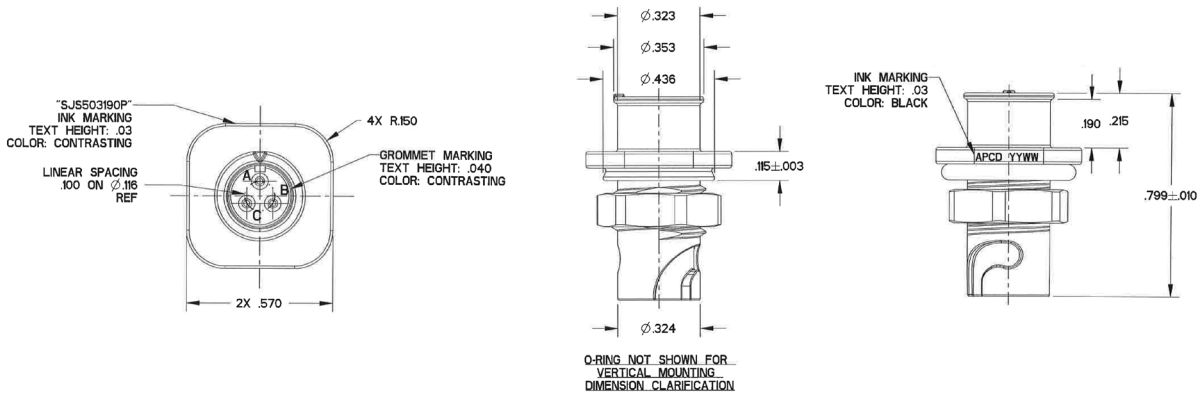




# JAMNUT REAR MOUNT RECEPTACLE

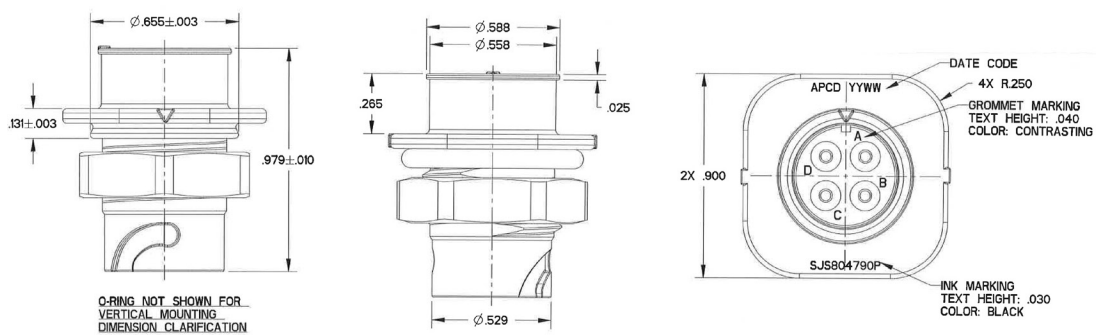
## 3 Position, Size 22 Jamnut Rear Mount Receptacle

APCD P/N	# of Contacts	Contact Size	Contact P/N	Shell Size	Key	Color	P/N Marking	Mating
SJS503190P	None			5	-	Black	SJS503190P	SJS830210P
SJS503191P	3	22	M39029/58-360					



## 4 Position, Size 16 Jamnut Rear Mount Receptacle

APCD P/N	# of Contacts	Contact Size	Contact P/N	Shell Size	Key	Color	P/N Marking	Mating
SJS804790P	None			8	A	White	SJS804790P	SJS840410P
SJS804791P	4	16	M39029/58-364					

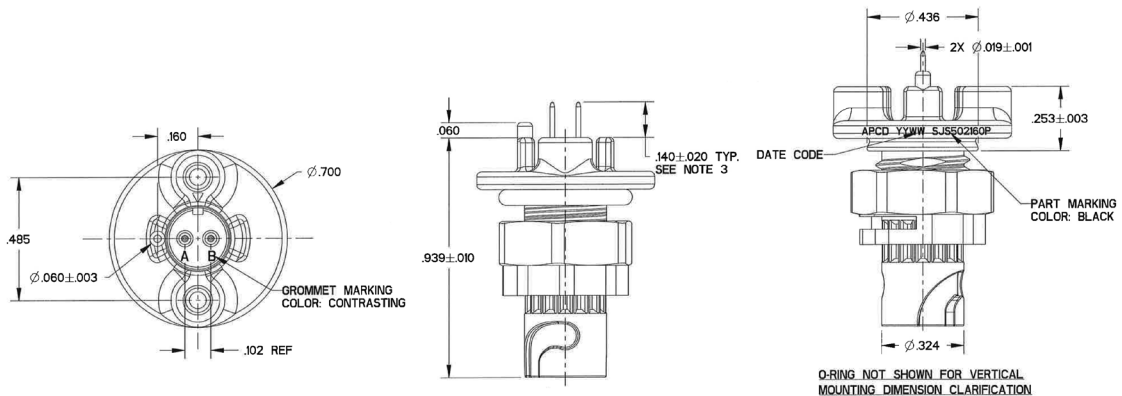


## Jamnut Receptacle

Type	Part Number	Position	Size	Page
Jamnut Receptacle	SJS502160P	2	22	26
	SJS503160P	3	22	27
	SJS804760P	4	16	27
	SJS706160P	6	22	28
	SJS708160P	8	22	28
	SJS112160P	12	22	29
	SJS425160P	25	22	29

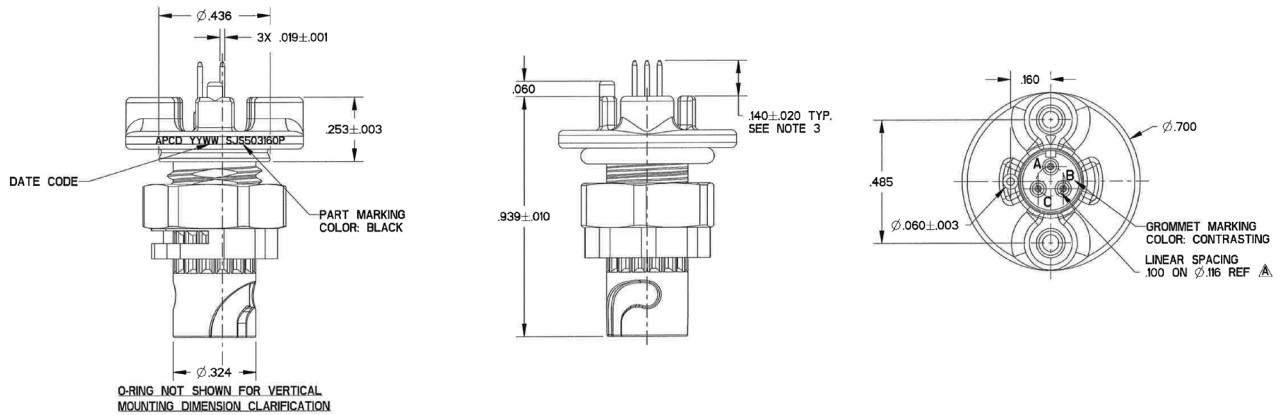
## 2 Position, Size 22 PCB Jamnut Receptacle

APCD P/N	# of Contacts	Contact Size	Contact P/N	Shell Size	Key	Color	P/N Marking	Mating
SJS502160P	None			5	-	Black	SJS502160P	SJS830250P
SJS502161P	2	22	M39029/58-360					
SJS502162P	2	22	CNP831033					



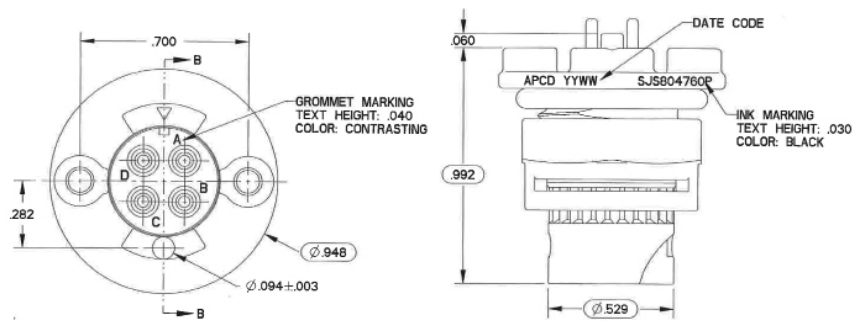
## 3 Position, Size 22 Jamnut Receptacle

APCD P/N	# of Contacts	Contact Size	Contact P/N	Shell Size	Key	Color	P/N Marking	Mating
SJS503160P	None			5	-	Black	SJS503160P	SJS830210P
SJS503161P	3	22	M39029/58-360					
SJS503162P	3	22	CNP831033					



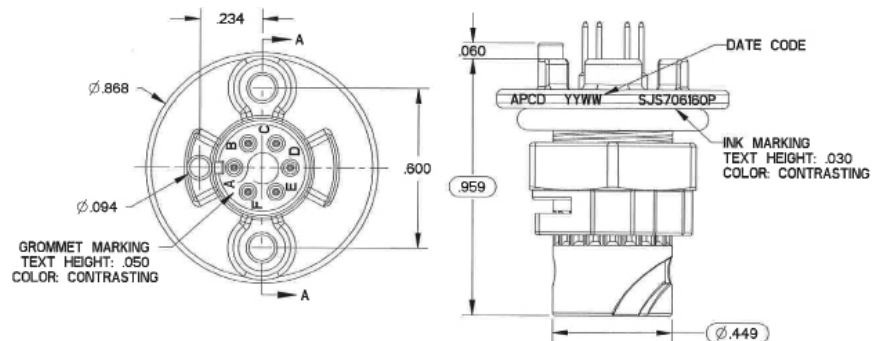
## 4 Position, Size 16 Jamnut Receptacle

APCD P/N	# of Contacts	Contact Size	Contact P/N	Shell Size	Key	Color	P/N Marking	Mating
SJS804760P	None			8	A	White	SJS804760P	SJS840410P
SJS804761P	4	16	M39029/58-364					
SJS804762P	4	16	CNP8310160					



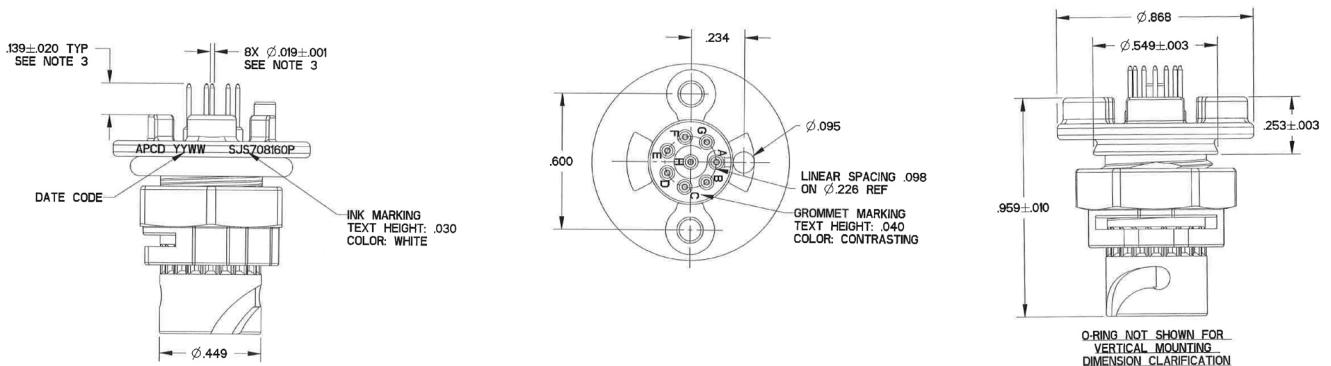
## 6 Position, Size 22 Jamnut Receptacle

APCD P/N	# of Contacts	Contact Size	Contact P/N	Shell Size	Key	Color	P/N Marking	Mating
SJS706160P	None			7	-	Black	SJS706160P	SJS861700P
SJS706161P	6	22	M39029/58-360					
SJS706162P	6	22	CNP831033					



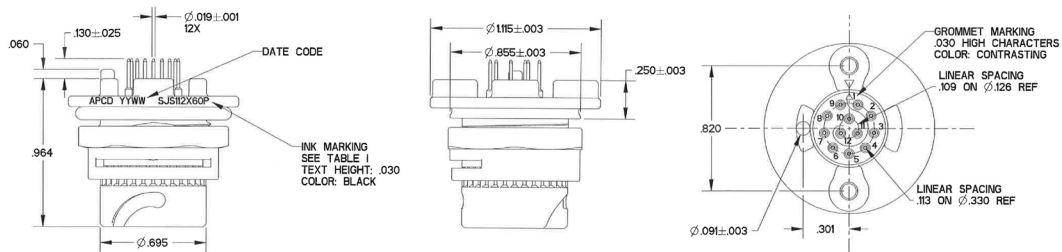
## 8 Position, Size 22 Jamnut Receptacle

APCD P/N	# of Contacts	Contact Size	Contact P/N	Shell Size	Key	Color	P/N Marking	Mating
SJS708160P	None			7	A	Black	SJS708160P	SJS830100P
SJS708161P	8	22	M39029/58-360					
SJS708162P	8	22	CNP831033					



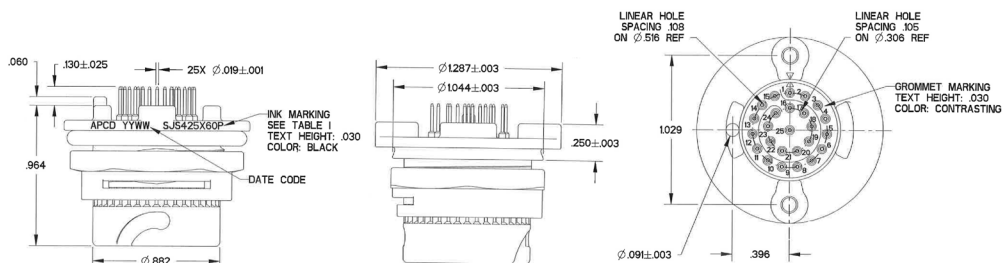
## 12 Position, Size 22 Jamnut Receptacle

APCD P/N	# of Contacts	Contact Size	Contact P/N	Shell Size	Key	Color	P/N Marking	Mating
SJS112160P	None			11	A	Black	SJS112160P	SJS112110P
SJS112161P	12	22	M39029/58-360					
SJS112162P	12	22	CNP831033					
SJS112260P	None							
SJS112261P	12	22	M39029/58-360		B	Green	SJS112260P	SJS112210P
SJS112262P	12	22	CNP831033					
SJS112360P	None							
SJS112361P	12	22	M39029/58-360					
SJS112362P	12	22	CNP831033		C	White	SJS112360P	SJS112310P
SJS112460P	None							
SJS112461P	12	22	M39029/58-360					
SJS112462P	12	22	CNP831033					



## 25 Position, Size 22 Jamnut Receptacle

APCD P/N	# of Contacts	Contact Size	Contact P/N	Shell Size	Key	Color	P/N Marking	Mating
SJS425160P	None			14	A	Black	SJS425160P	SJS425110P
SJS425161P	25	22	M39029/58-360					
SJS425162P	25	22	CNP831033					
SJS425260P	None							
SJS425261P	25	22	M39029/58-360		B	Green	SJS425260P	SJS425210P
SJS425262P	25	22	CNP831033					
SJS425360P	None							
SJS425361P	25	22	M39029/58-360					
SJS425362P	25	22	CNP831033		C	White	SJS425360P	SJS425310P
SJS425460P	None							
SJS425461P	25	22	M39029/58-360					
SJS425462P	25	22	CNP831033					

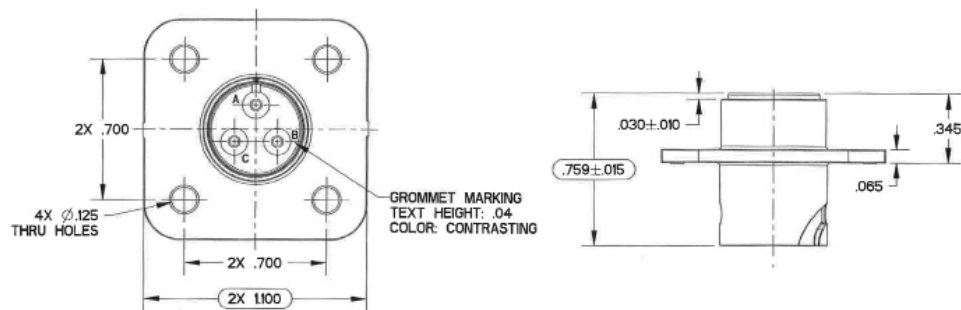


## Square Receptacle

Type	Part Number	Position	Size	Page
Square Receptacle	SJS803730P	3	16	30
	SJS862450P	3	20	31
	SJS805730P	5	22	31
	SJS830220P	8	22	32
	SJS0AA730P	9	16 & 22D	32
	SJS812730P	12	22	33

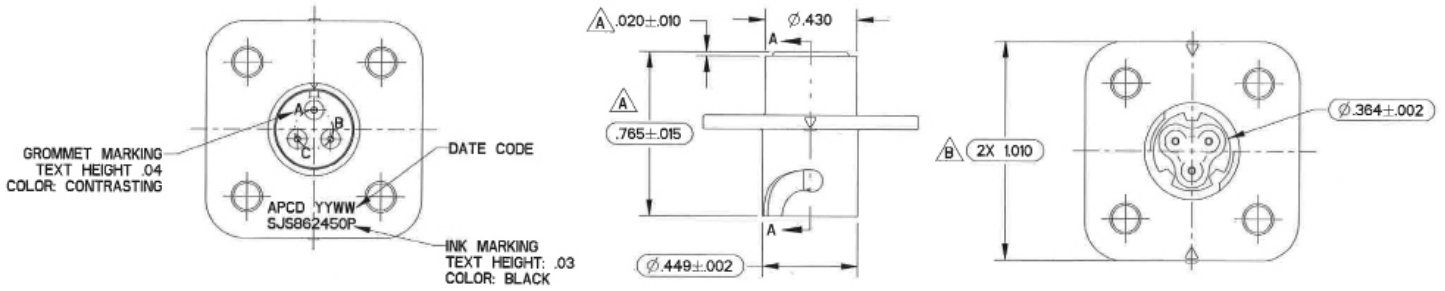
## 3 Position, Size 16 Square Receptacle

APCD P/N	# of Contacts	Contact Size	Contact P/N	Shell Size	Key	Color	P/N Marking	Mating
SJS803730P	None			8	A	White	SJS803730P	SJS840310P
SJS803731P	3	16	M39029/58-364					
SJS803130P	None				B	Black	SJS803130P	SJS840340P
SJS803131P	3	16	M39029/58-364					



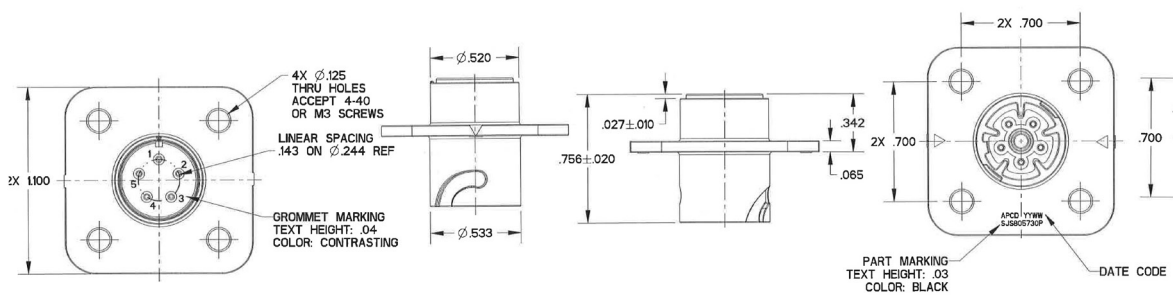
## 3 Position, Size 20 Square Receptacle

APCD P/N	# of Contacts	Contact Size	Contact P/N	Shell Size	Key	Color	P/N Marking	Mating
SJS862450P	None			7	-	White	SJS862450P	SJS862300P
SJS862451P	3	20	M39029/58-363					



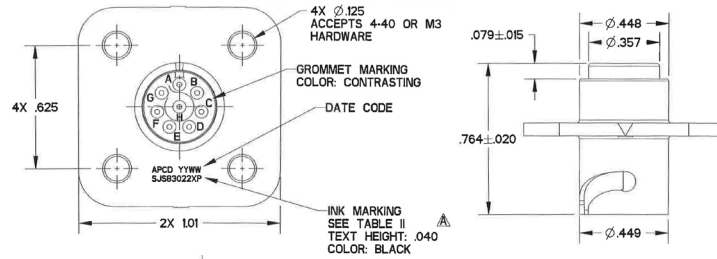
## 5 Position, Size 22 Square Receptacle

APCD P/N	# of Contacts	Contact Size	Contact P/N	Shell Size	Key	Color	P/N Marking	Mating
SJS805730P	None			8	-	White	SJS805730P	SJS860510P
SJS805731P	5	22	M39029/58-360					



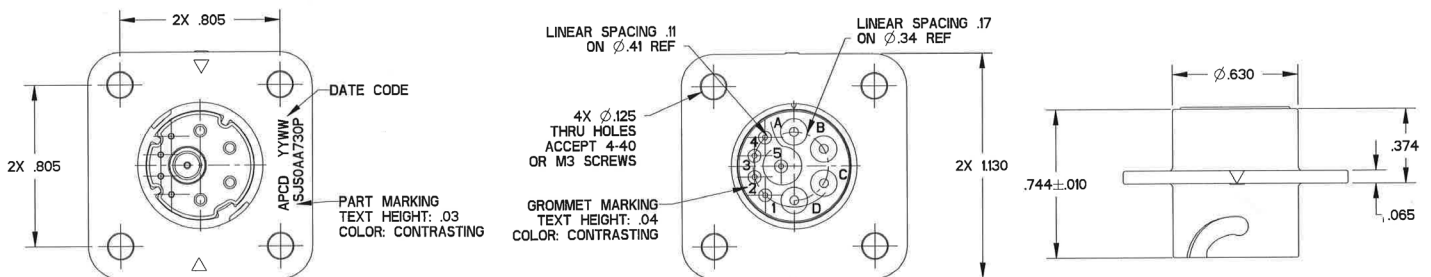
## 8 Position, Size 22 Square Receptacle

APCD P/N	# of Contacts	Contact Size	Contact P/N	Shell Size	Key	Color	P/N Marking	Mating			
SJS830220P	None			7	A	Black	SJS830220P	SJS830100P			
SJS831220P	8	22	M39029/58-360		B	Green	SJS830221P	SJS830101P			
SJS830221P	None										
SJS831221P	8	22	M39029/58-360								
SJS830222P	None										
SJS831222P	8	22	M39029/58-360						C	Yellow	SJS830222P



## 9 Position, Size 16 & 22D Square Receptacle

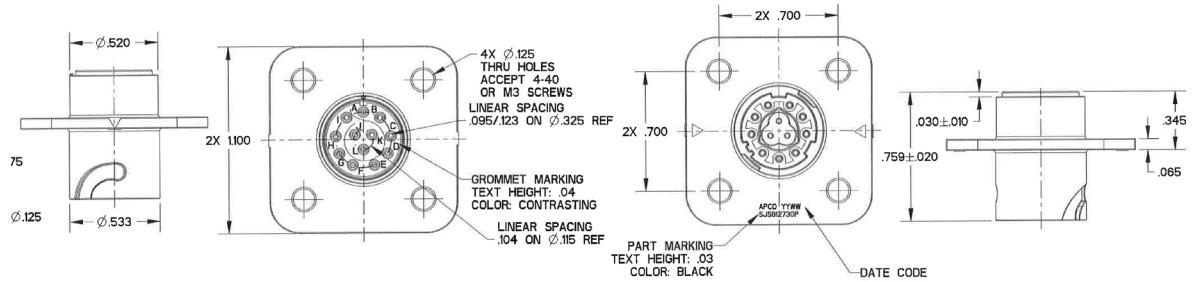
APCD P/N	# of Contacts	Contact Size	Contact P/N	Shell Size	Key	Color	P/N Marking	Mating
SJS0AA730P	None			10	-	White	SJS0AA730P	SJS860910P
SJS0AA731P	5	22D	M39029/58-360					
	4	16	M39029/58-364					
SJS0AA737P	5	22	CNP831033					
	3	16	CNP8310160					
	1	16 COAX	173-900163-01					





## 12 Position, Size 22 Square Receptacle

APCD P/N	# of Contacts	Contact Size	Contact P/N	Shell Size	Key	Color	P/N Marking	Mating
SJS812730P	None			8	-	White	SJS812730P	SJS861300P
SJS12731P	12	22	M39029/58-360					

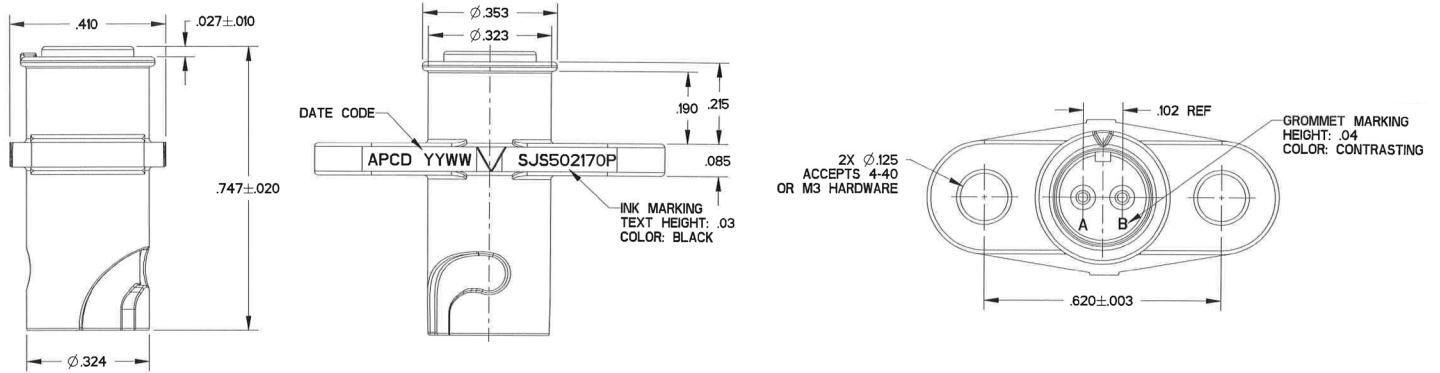


## Oval Receptacle

Type	Part Number	Position	Size	Page
Oval Receptacle	SJS502170P	2	22	34
	SJS503170P	3	22	34
	SJS708170P	8	22	35
	SJS0AB770P	10	16 & 22	35

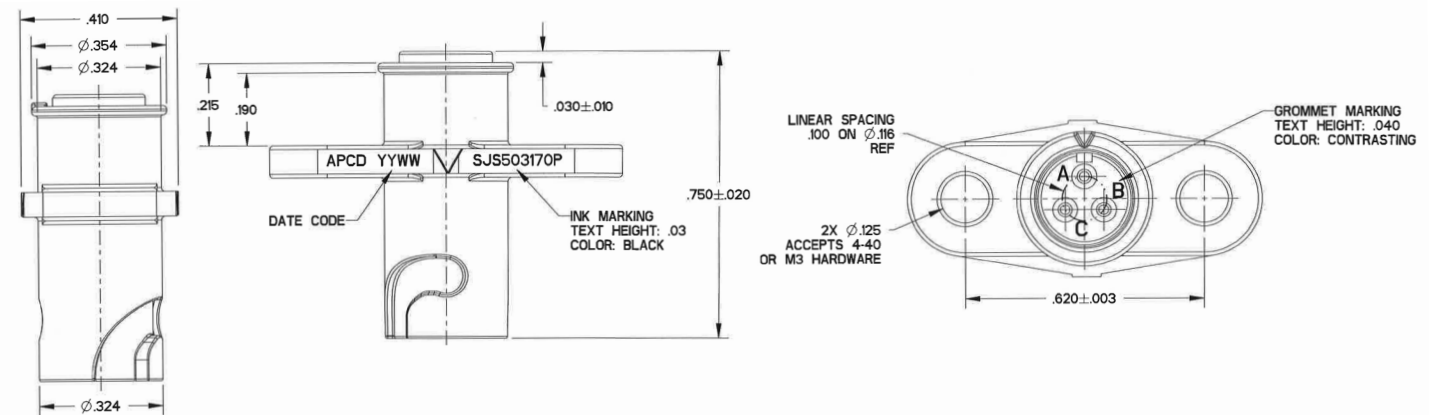
## 2 Position, Size 22 Oval Receptacle

APCD P/N	# of Contacts	Contact Size	Contact P/N	Shell Size	Key	Color	P/N Marking	Mating
SJS502170P	None			5	-	Black	SJS502170P	SJS830250P
SJS502171P	2	22	M39029/58-360					



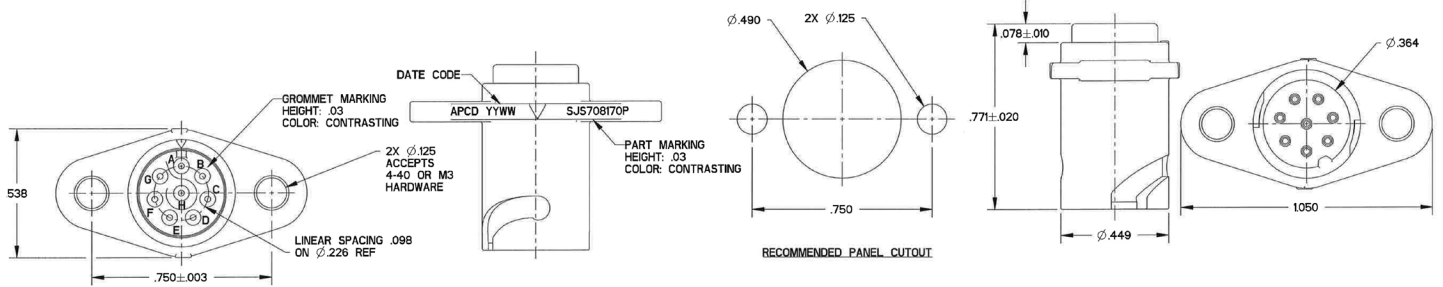
## 3 Position, Size 22 Oval Receptacle

APCD P/N	# of Contacts	Contact Size	Contact P/N	Shell Size	Key	Color	P/N Marking	Mating
SJS503170P	None			5	-	Black	SJS503170P	SJS830210P
SJS503171P	3	22	M39029/58-360					



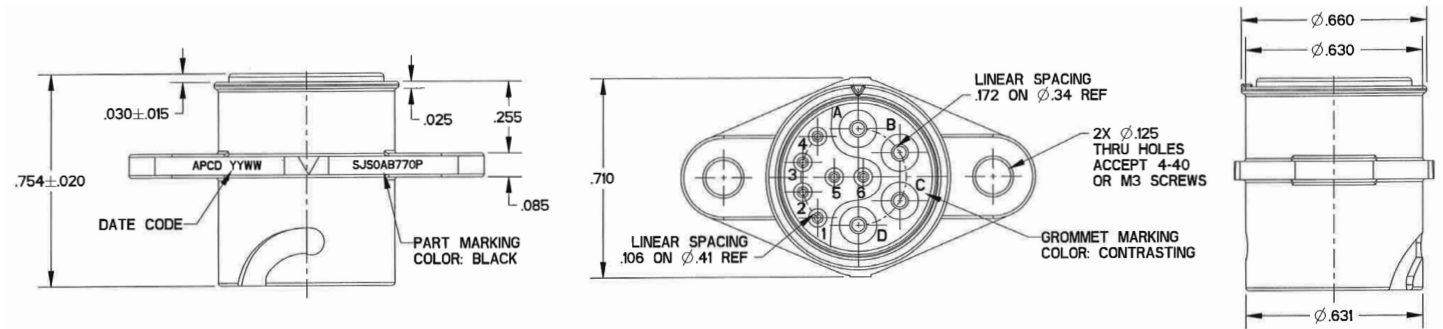
## 8 Position, Size 22 Oval Receptacle

APCD P/N	# of Contacts	Contact Size	Contact P/N	Shell Size	Key	Color	P/N Marking	Mating
SJS708170P	None			7	A	Black	SJS708170P	SJS830100P
SJS708171P	8	22	M39029/58-360					



## 10 Position, Size 16 & 22 Oval Receptacle

APCD P/N	# of Contacts	Contact Size	Contact P/N	Shell Size	Key	Color	P/N Marking	Mating
SJS0AB770P	None			10	-	White	SJS0AB770P	SJS861100P
SJS0AB771P	6	22	M39029/58-360					
	4	16	M39029/58-363					

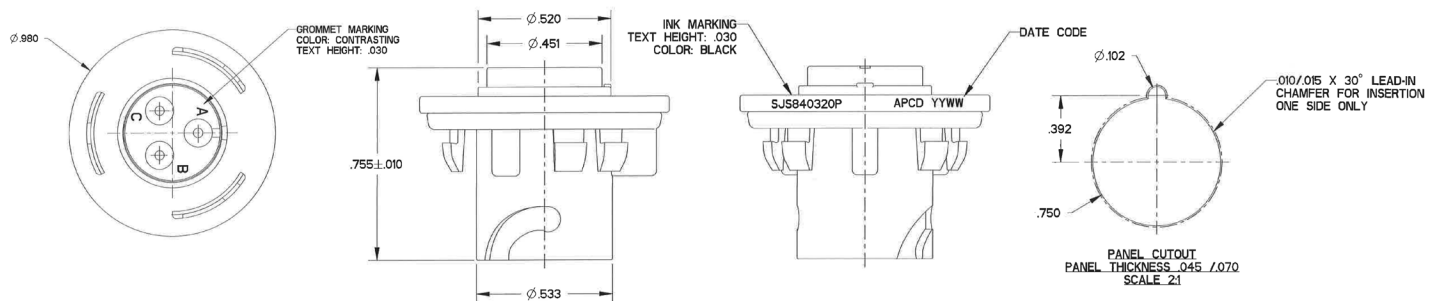


## Circular Receptacle

Type	Part Number	Position	Size	Page
Oval Receptacle	SJS840320P	3	16	36
	SJS860520P	5	22D	37

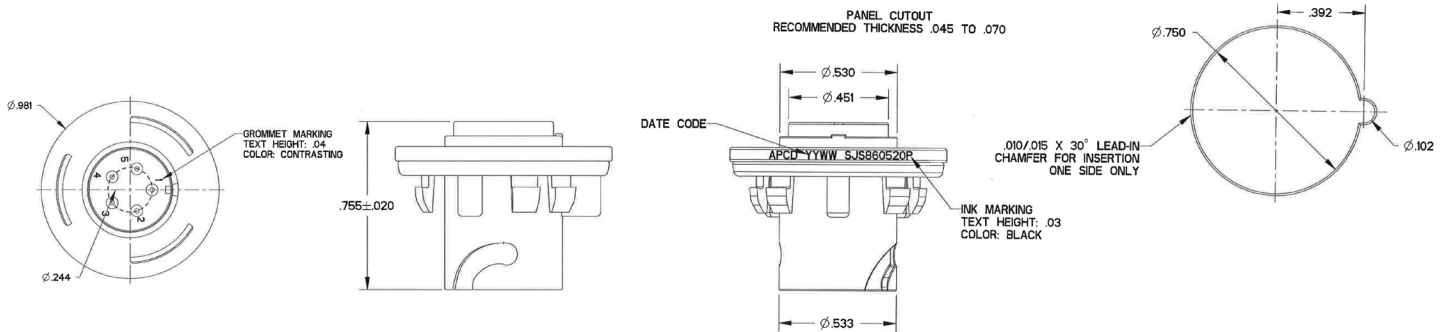
### 3 Position, Size 16 Circular Receptacle

APCD P/N	# of Contacts	Contact Size	Contact P/N	Shell Size	Key	Color	P/N Marking	Mating
SJS840320P	None			8	A	White	SJS840320P	SJS840310P
SJS940321P	3	16	M39029/58-364					
SJS840330P	None				B	Black	SJS840330P	SJS840340P
SJS840331P	3	16	M39029/58-364					



## 5 Position, Size 22D Circular Receptacle

APCD P/N	# of Contacts	Contact Size	Contact P/N	Shell Size	Key	Color	P/N Marking	Mating
SJS860520P	None			8	-	White	SJS860520P	SJS860510P
SJS860521P	5	22/22D	M39029/58-360				SJS870520P	SJS870510P
SJS870520P	None						SJS860520P	SJS860510P
SJS870521P	5	22/22D	M39029/58-360				SJS870520P	SJS870510P



## Accessories

Shell Size	Strain Relief Single	Strain Relief Single 90°	Strain Relief Single 45°	Double Strain Relief	Double Side Tape Mount Cradle	Screw Mount Cradle	Tube Mount Cradle	Single Side Tape Tube Mount Cradle	Double Side Tape Tube Mount Cradle	Dummy Flanges	Hard Protective Caps
5	SJSA55000	SJSA55100	SJSA55200	SJSA56000	SJS257000	SJS257100	SJSA5V000	SJS5AV010	SJS5AV020	-	SJSA5B000
7	SJS450350	SJSA75100	SJSA75200	SJSA76000	SJS883000	SJS450250	SJSA7V000	SJSA7V010	SJSA7V020	SJS830220D	SJSA7B000
8	SJSA85000	SJSA85100	SJSA85200	SJSA86000	SJS445000	SJS450100	SJSA8V000	SJSA8V010	SJSA8V020	-	SJSA8B000
10	SJSA05000	SJSA05100	SJSA05200	SJSA06000	SJS991000	-	SJSA0V000	SJSA0V010	SJSA0V020	SJS0AA730D	SJSA0B000

## Contact Matrix

Contact Size	Contact Style	Available		Contact P/N		QPL Part No. (Machined Only)	Contact Retention	Crimp Tensile Strength
		Push-Pull	Twist-Lock	Machined	Stamped & Formed			
12	Pin	Yes	Yes	CNP058365	SCP058365	M39029/58-365	.012" [0,30mm] @ 30lbf [133N]	100lbf [445N]
	Socket	No	Yes	CNS057359	SCS057359	M39029/57-359		
	Socket-L	Yes	No	CNS056353	n/a	M39029/56-353		
16	Pin	Yes	Yes	CNP058364	SCP058364	M39029/58-364	.012" [0,30mm] @ 25lbf [111N]	40lbf [180N]
	Socket	No	Yes	CNS057358	SCS057358	M39029/57-358		
	Socket-L	Yes	No	CNS056352	n/a	M39029/56-352		
20	Pin	Yes	Yes	CNP058363	SCP058363	M39029/58-363	.012" [0,30mm] @ 20lbf [90N]	20lbf [90N]
	Socket	No	Yes	CNS057357	SCS057357	M39029/57-357		
	Socket-L	Yes	No	CNS056351	n/a	M39029/56-351		
22D	Pin	No	Yes	CNP058360	n/a	M39029/58-360	.012" [0,30mm] @ 10lbf [44N]	10 lbf [45N]
	Socket	No	Yes	CNS057354	n/a	M39029/57-354		

Contact Size	Wire Accommodations			
	Size (AWG)	Max Current Rating (A)	ØD Range	Strip Length
12	12	23	.097 - .142" [2,46 - 3,61mm]	.209 - .240" [5,31 - 6,10mm]
	14	17		
16	16	13	.065 - .109" [1,65 - 2,77mm]	.209 - .240" [5,31 - 6,10mm]
	18	10		
	20	7.5		
20	20	7.5	.040 - .083" [1,02 - 2,11mm]	.209 - .240" [5,31 - 6,10mm]
	22	5		
	24	3		
22D	22	5	.030 - .054" [0,76 - 1,37mm]	.141 - .172" [3,58 - 4,37mm]
	24	3		
	26	2		
	28	1.5		

# ACCESSORIES, CONTACTS & TOOLING

## Tooling Part Numbers



Contact P/N	Mating End Size	Wire Barrel Size	Wire Gage Range	Test Current Per Wire Gage (A)	Crimp Tool	Positioner	Installation Tool	Extraction Tool
M39029/22-191	22	22	22	5	M22520/7-01	M22520/7-11	M81960/14-01	
			24	3				
			26	2				
M39029/22-192	20	20	20	7.5	M22520/7-01	M22520/7-12	M81969/14-10	
			22	5				
			24	3				
M39029/22-193	16	16	16	13	M22520/7-01	M22520/7-13	M81969/14-03	
			18	10				
			20	7.5				
M39029/22-605	12	12	12	23	M22520/1-01	M22520/1-16	M81969/16-03	
			14	17				
M39029/56-351	20	20	20	7.5	M22520/1-01	M22520/1-04 (Red)	M81969/8-05	M81969/8-06
			22	5	M22520/2-01	M22520/2-10	M81969/14-10	
			24	3	M22520/7-01	M22520/7-08		
M39029/56-352	16	16	16	13	M22520/1-01	M22520/1-04 (Blue)	M81969/8-07	M81969/8-08
			18	10	M22520/7-01	M22520/7-04	M81969/14-03	
			20	7.5				
M39029/56-353	12	12	12	23	M22520/1-01	M22520/1-04 (Yellow)	M81969/8-09	M81969/8-10
			14	17			M81969/14-04	
M39029/57-354	22	22D	22	5	M22520/2-01	M22520/2-06	M81969/8-01	M81969/8-02
			24	3	M22520/7-01	M22520/7-06	M81960/14-01	
			26	2				
			28	1.5				
M39029/57-357	20	20	20	7.5	M22520/1-01	M22520/1-04 (Red)	M81969/8-05	M81969/8-06
			22	5	M22520/2-01	M22520/2-10	M81969/14-10	
			24	3	M22520/7-01	M22520/7-08		
M39029/57-358	16	16	16	13	M22520/1-01	M22520/1-04 (Blue)	M81969/8-07	M81969/8-08
			18	10	M22520/7-01	M22520/7-04	M81969/14-03	
			20	7.5				
M39029/57-359	12	12	12	23	M22520/1-01	M22520/1-04 (Yellow)	M81969/8-09	M81969/8-10
			14	17			M81969/14-04	
M39029/58-360	22	22D	22	5	M22520/2-01	M22520/2-09	M81969/8-01	M81969/8-02
			24	3	M22520/7-01	M22520/7-07	M81969/14-01	
			26	2				
			28	1.5				
M39029/58-363	20	20	20	7.5	M22520/1-01	M22520/1-04 (Red)	M81969/8-05	M81969/8-06
			22	5	M22520/2-01	M22520/2-10	M81969/14-10	
			24	3	M22520/7-01	M22520/7-08		
M39029/58-364	16	16	16	13	M22520/1-01	M22520/1-04 (Blue)	M81969/8-07	M81969/8-08
			18	10	M22520/7-01	M22520/7-04	M81969/14-03	
			20	7.5				
M39029/58-365	12	12	12	23	M22520/1-01	M22520/1-04 (Yellow)	M81969/8-09	M81969/8-10
			14	17			M81969/14-04	

# PEGASUS

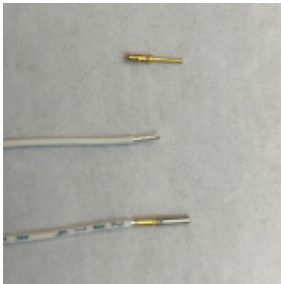
Contact Size	Wire Size	Insulation O.D	Stripping Length "A"
8	8-10 AWG	0.124-0.155 in	0.470 in
12	12-14 AWG	0.097-0.142 in	0.188 in
16	16-20 AWG	0.065-0.109 in	0.188 in
20	20-24 AWG	0.040-0.083 in	0.188 in
22D	22-28 AWG	0.030-0.055 in	0.125 in

## Crimp Tool Setup

1. Select proper crimp tool and positioner based on contact size from the tables.
2. Assemble positioner on crimp tool and turn to lock it in place.
3. Use instructions on the positioner to set the dial on the crimp tool.

## Crimp Wire To Contacts

1. Place the wire into the contact. All wire strands should be in crimp barrel and wire must be visible through inspection hole.
2. Place the contact fully into the crimp tool so the contact shoulder is against the crimp tool shoulder.
3. Squeeze the handles on the crimp tool together firmly until the ratchet disengages. The tool will not release until the crimp cycle is complete.
4. Check that the wire is still visible through the inspection hole in the contact.



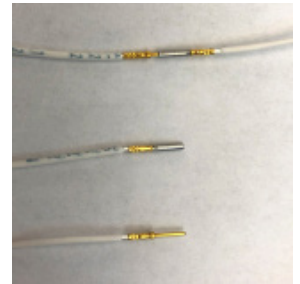
Step One



Step One



Step Three



Step Four

## Wire Preparation

Strip wire to length shown in chart. Do not cut or nick wire strands. Twist wire strands back to form a firm bundle.

Contact Size	Wire Size	Insulation O.D	Stripping Length "A"
22D	22-28 AWG	030-.055 in	.118-.157 in

## Crimp Tool

Part Number: 10-745003-22D or DMC GMT220









[www.amphenolpcd.com](http://www.amphenolpcd.com)