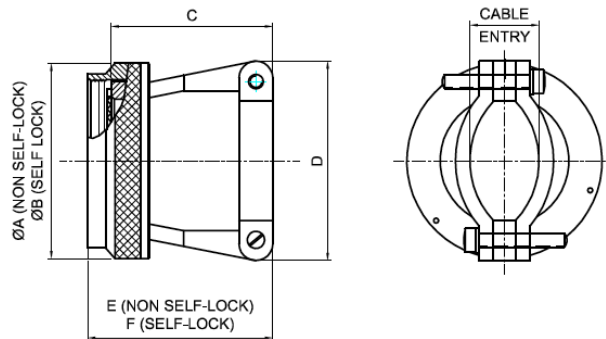


## STRAIGHT; SELF-LOCK/SPIN

Connector Group K

D38999 Series I & II

M85049	/49-2	-	W	10
SERIES	SLASH #	COUPLING	FINISH	DASH #
	49-2: Straight	S: Self Lock -: Spin	A: Hard Anodized Black N: Electroless Nickel W: Cadmium Olive Drab	Table A



DASH #	Connector Shell Size	A Ø Max.		B Max.		C Max.		D Max.		E Max.		F Max.		Cable Entry			
														Min.		Max.	
		inch	mm	inch	mm	inch	mm	inch	mm	inch	mm	inch	mm	inch	mm	inch	mm
8	8/9	0.75	19.05	0.86	21.84	0.91	23.11	0.85	21.59	1.10	27.94	1.15	29.21	0.10	2.54	0.23	5.84
10	10/11	0.85	21.59	0.98	24.89	0.91	23.11	0.90	22.86	1.10	27.94	1.15	29.21	0.15	3.81	0.23	5.84
12	12/13	1.00	25.4	1.16	29.46	1.01	25.65	1.10	27.94	1.20	30.48	1.25	31.75	0.19	4.826	0.33	8.38
14	14/15	1.10	27.94	1.28	32.51	1.06	26.92	1.15	29.21	1.25	31.75	1.30	33.02	0.26	6.604	0.46	11.68
16	16/17	1.25	31.75	1.41	35.81	1.16	29.46	1.30	33.02	1.36	34.544	1.40	35.56	0.28	7.112	0.61	15.49
18	18/19	1.40	35.56	1.52	38.60	1.41	35.81	1.50	38.1	1.60	40.64	1.65	41.91	0.33	8.382	0.63	16.00
20	20/21	1.50	38.10	1.64	41.65	1.51	38.35	1.60	40.64	1.70	43.18	1.75	44.45	0.34	8.636	0.70	17.78
22	22/23	1.65	41.91	1.77	44.95	1.66	42.16	1.70	43.18	1.85	46.99	1.90	48.26	0.38	9.652	0.82	20.82
24	24/25	1.75	44.45	1.89	48.00	1.76	44.70	1.80	45.72	.95	24.13	2.00	50.8	0.42	10.668	0.85	21.59