

Straight; Spin Coupling

Connector Group L

38999 Series III & Series IV

M85049	/20	-11	W
SERIES	SLASH #	ACCESSORY SHELL SIZE	FINISH
	20: Straight	Table A	N: Electroless Nickel W: Cadmium Olive Drab over Electroless Nickel Z: Black Zinc Nickel

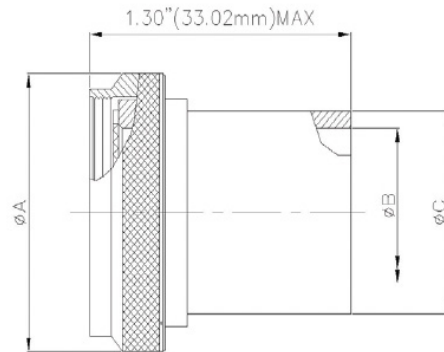


TABLE-A

Accessory Shell Size	Connector Shell Size	ϕA Max.		ϕB Max.		ϕC Max.	
		inch	mm	inch	mm	inch	mm
9	9 / A	0.75	19.05	0.27	6.73	0.35	8.81
11	11 / B	0.85	21.59	0.34	8.71	0.50	12.65
13	13 / C	1.00	25.40	0.44	11.10	0.51	12.95
15	15 / D	1.10	27.94	0.56	14.27	0.63	16.00
17	17 / E	1.25	31.75	0.69	17.45	0.76	19.30
19	19 / F	1.40	35.56	0.81	20.62	0.89	22.61
21	21 / G	1.50	38.10	0.94	23.80	1.01	25.65
23	23 / H	1.65	41.91	1.05	26.57	1.13	28.70
25	25 / J	1.75	44.45	1.13	28.58	1.20	30.53