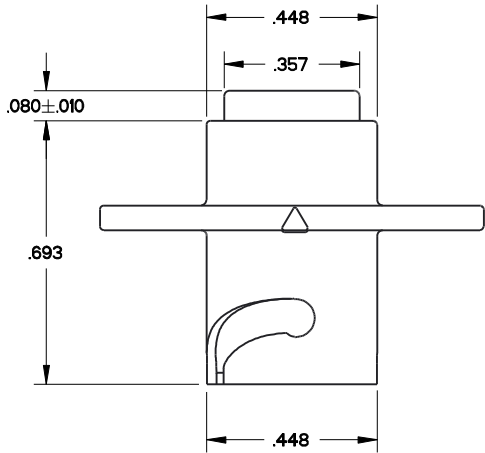
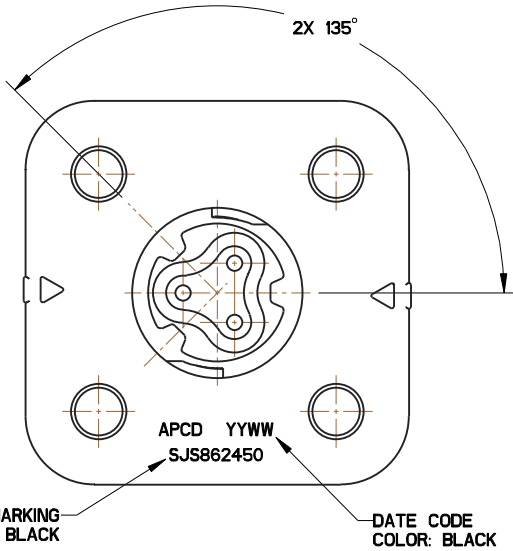
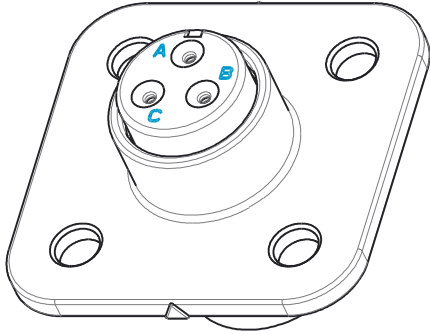
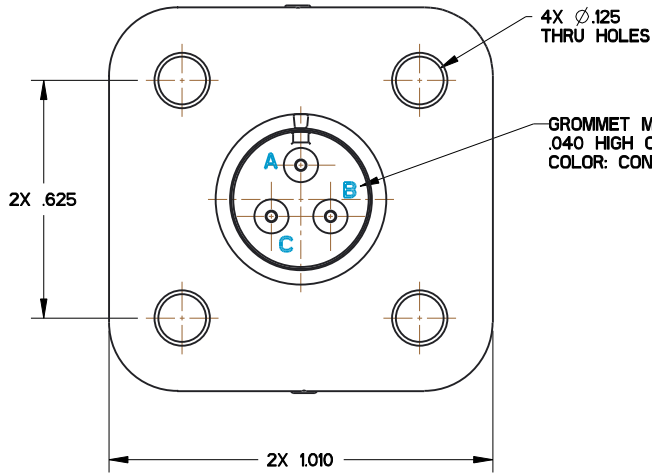


SJS862450

REV	ECN	APP'D
1		



SJS862450

SJS862450

- NOTES:
- MATERIALS:
HOUSING: PA6/6, COLOR: WHITE
CONTACT RETAINER: STAINLESS STEEL
GROMMET: SILICONE RUBBER PER A-A-59588
 - MATING CONTACTS: SEE TABLE I
 - PART MATES WITH SJS862300/301
 - WEIGHT: 2.2 GRAMS
 - SUPPLIED WITH DUST CAP.

APCD P/N	CONTACTS SUPPLIED	HOUSING COLOR	PART MARKING
SJS862450	(3) M39029/58-363	WHITE	SJS862450
SJS862451	NONE		

DIMENSIONS ANSI Y14.5M UNITS: INCHES Pro/E FILE	TOLERANCES .XX ±0.01 .XXX ±0.005 ANGLES ±2.0°	PROJECTION 	Amphenol Pcd <i>SPECIFICATION DRAWING</i>		TITLE SJS, PANEL MOUNT RECEPTACLE 3 POSITION, SIZE 20 SHELL SIZE 7		
			ENGR TONY.CHEN	Dec-10-13			
ORIGINAL	THIS DOCUMENT CONTAINS PROPRIETARY INFORMATION WHICH IS THE CONFIDENTIAL PROPERTY OF AMPHENOL PCD INC., BEVERLY, MA		CHKD	SIZE B	DWG NO. SJS862450_CE	REV 1	
			APPD	CODE: 58982	SCALE: 3:1	SHEET 1 OF 1	