

Product Update | Amphenol Pcd

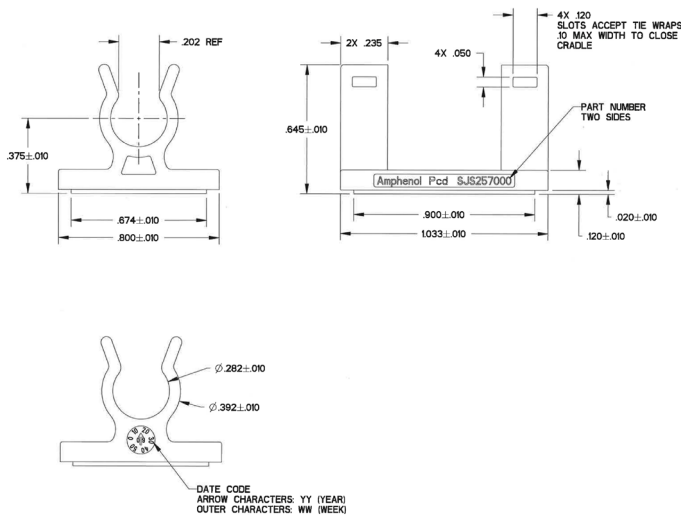


Luminus Series Shell Size 5: Screw Mount Cradle & Tape Mount Cradle

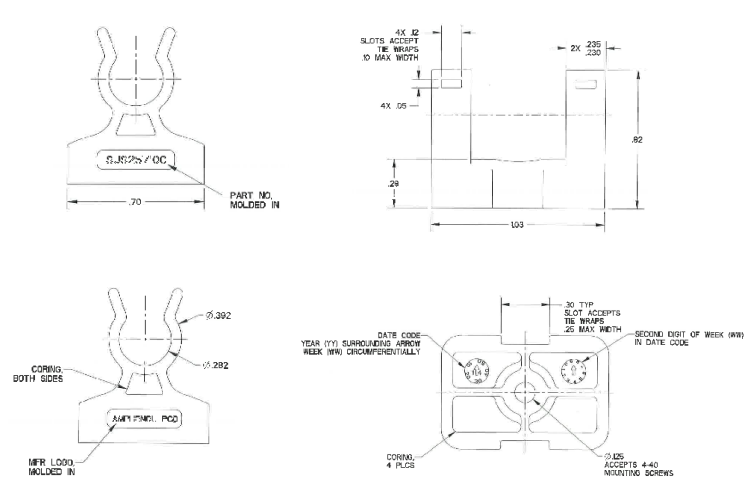
Amphenol Pcd is pleased to announce the latest addition to our Luminus accessories; the SJS25700 and SJS257100 cradles for mounting shell size 5 connectors. These two cradles offer the option of either convenient tape mounting styles or enhanced security of the screw mount style. The tape mount style uses the 3M 5958FR tape for superior long lasting adhesion under a wide range of operating conditions. The screw mount style allows the use of industry standard 4/40 imperial or M3 metric mounting hardware. Both cradles have tie wrap features on the tines, for those customers that desire the redundant security of tie wraps or nomex string.

Available 11/1

SJS257000 Size 5 Cradle



SJS257100 Size 5 Cradle



(*Specifications on back)

John Whittaker

jwhittaker@amphenolpcd.com
Office: 978.624.3447
Mobile: 978.882.3609

Hilary Juntwait

hjuntwait@amphenolpcd.com
Office: 978.624.3459



Materials & Specifications

	Twist & Lock			
Materials (Custom Material Available)	Insulator Body: Polyamide 6/6 (Nylon)	Thermal Shock	-65°C to 200°C	
	Grommet: Silicone Rubber		Vibration	30G Sinusoidal; 43.96G Random
	Contact Retainer: Stainless Steel			Shock
	Contacts: Copper Alloy Gold Plated		Salt Spray	
Temperature Range	-65°C to 125°C	Humidity		10 Days @ 25°C to 65°C, 90% - 95% RH
Temperature Life	500 hours @ 85°C		Fluid Immersion	Lubricating Oil per Mil-Prf-7808
Insulation	5000 MΩ Min. @ 500 VDC	Cleaning Compound per Mil-Prf-87937, Alkaline Base		
Resistance		Isopropyl Alcohol & Mineral Spirit Solution		
Dielectric Withstanding	1500 VAC, 60 Hz @ Sea Level, 1ma	Skydrol Hydraulic Fluid		
	300 VAC, 60 Hz @ 70,000 ft, 2 ma	Hydraulic Fluids per MIL-PRF-83282 MIL-PRF-87257		
	300 VAC, 60 Hz @ 100,000 ft, 2 ma	Ethylene Glycol		
Durability	500 mating cycles	Propylene Glycol		
Altitude Immersion	5% salt solution	Aviation Jet A		
	5000Mohms @ 1500 VAC, sea level	Seal Rating	IP67	
	5000Mohms @ 300 VAC, 70k ft		UL94, V0.	
	5000Mohms @ 300 VAC, 100k ft	Flammability	DOTG section 26.6.2 & 26.6.3	
Temperature Cycling	5(1) Hour Cycles: -65°C to 125°C		FAR Part 25 App F Part I	
		RoHS & REACH Compliance	Yes	

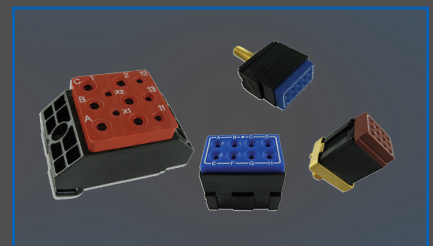
Related Products | Amphenol Pcd



Rayzor Series
NEW



Pegasus Series
NEW



Relay Sockets & Junction Modules

Amphenol Pcd

www.amphenolpcd.com
info@amphenolpcd.com
978.624.3400

