

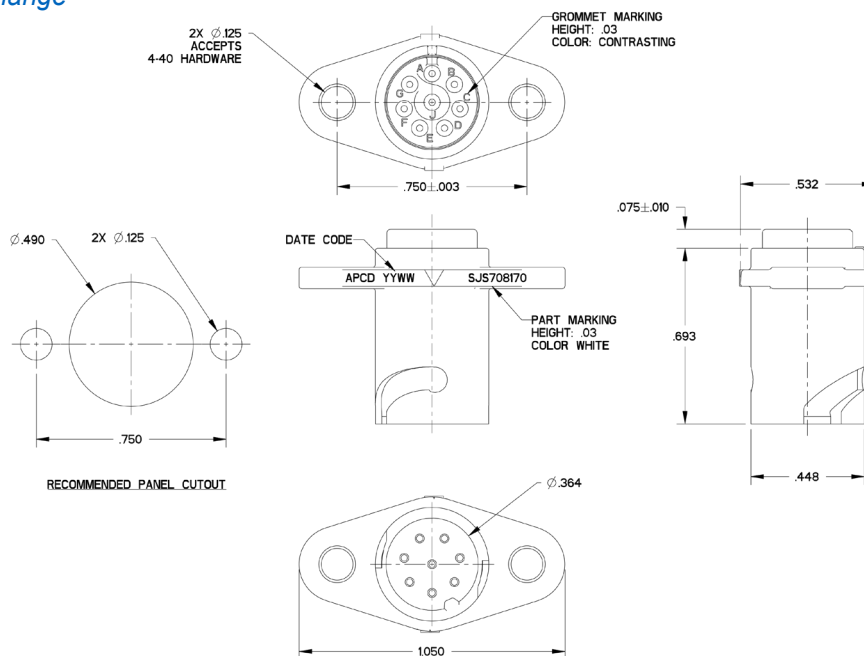


Luminus Series Shell Size 7: 8 Pin, Size 22 Oval Flange Mount

Amphenol Pcd is pleased to introduce new footprint style Luminus configuration, the Oval Flange Mount. The Oval Flange mounting style offers the same secure panel screw mounting effectiveness of our existing flange, but with 50% less surface area. This reduced footprint is ideal for applications where space is at a premium, or mounting surfaces are limited, such as seat cross members or reinforcing bars. The Oval Flange Mount is first available in one of our most popular styles, the 8 pin size 22 gauge, and is referenced by p/n SJS708170.

Available Immediately

SJS708170 Oval Flange



(*Specifications on back)

John Whittaker

jwhittaker@amphenolpcd.com
Office: 978.624.3447
Mobile: 978.882.3609

Hilary Juntwait

hjuntwait@amphenolpcd.com
Office: 978.624.3459



Materials & Specifications

	Twist & Lock			
Materials (Custom Material Available)	Insulator Body: Polyamide 6/6 (Nylon)	Thermal Shock	-65°C to 200°C	
	Grommet: Silicone Rubber		Vibration	30G Sinusoidal; 43.96G Random
	Contact Retainer: Stainless Steel			Shock
	Contacts: Copper Alloy Gold Plated		Salt Spray	
Temperature Range	-65°C to 125°C	Humidity		10 Days @ 25°C to 65°C, 90% - 95% RH
Temperature Life	500 hours @ 85°C		Fluid Immersion	Lubricating Oil per Mil-Prf-7808
Insulation	5000 MΩ Min. @ 500 VDC			Cleaning Compound per Mil-Prf-87937, Alkaline Base
Resistance				Isopropyl Alcohol & Mineral Spirit Solution
Dielectric Withstanding	1500 VAC, 60 Hz @ Sea Level, 1ma	Skydrol Hydraulic Fluid		Hydraulic Fluids per MIL-PRF-83282 MIL-PRF-87257
	300 VAC, 60 Hz @ 70,000 ft, 2 ma	Ethylene Glycol	Propylene Glycol	
	300 VAC, 60 Hz @ 100,000 ft, 2 ma	Aviation Jet A		
Durability	500 mating cycles	Seal Rating	IP67	
Altitude Immersion	5% salt solution		Flammability	UL94, V0.
	5000Mohms @ 1500 VAC, sea level	DOTG section 26.6.2 & 26.6.3		
	5000Mohms @ 300 VAC, 70k ft	FAR Part 25 App F Part I		
	5000Mohms @ 300 VAC, 100k ft			
Temperature Cycling	5(1) Hour Cycles: -65°C to 125°C	RoHS & REACH Compliance	Yes	

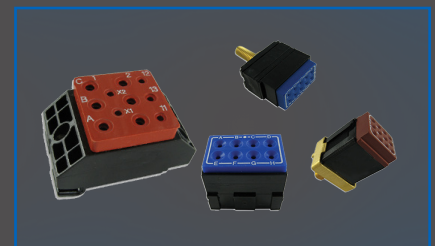
Related Products | Amphenol Pcd



Rayzor Series
NEW



Pegasus Series
NEW



Relay Sockets & Junction Modules