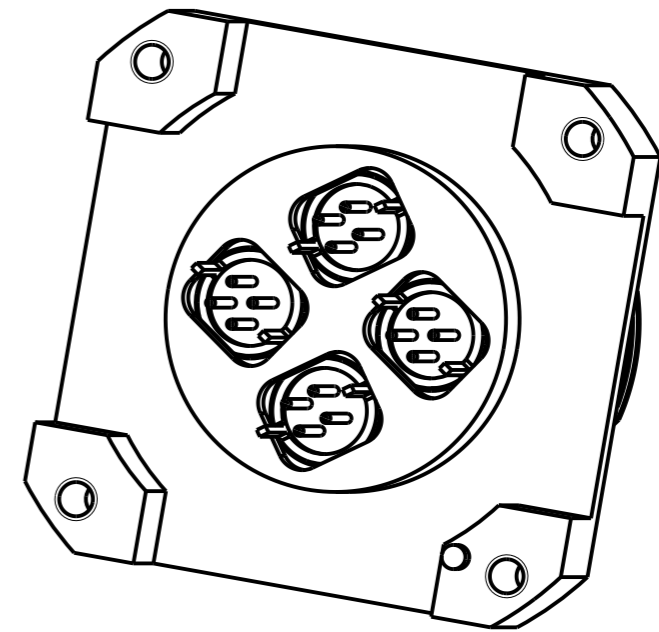
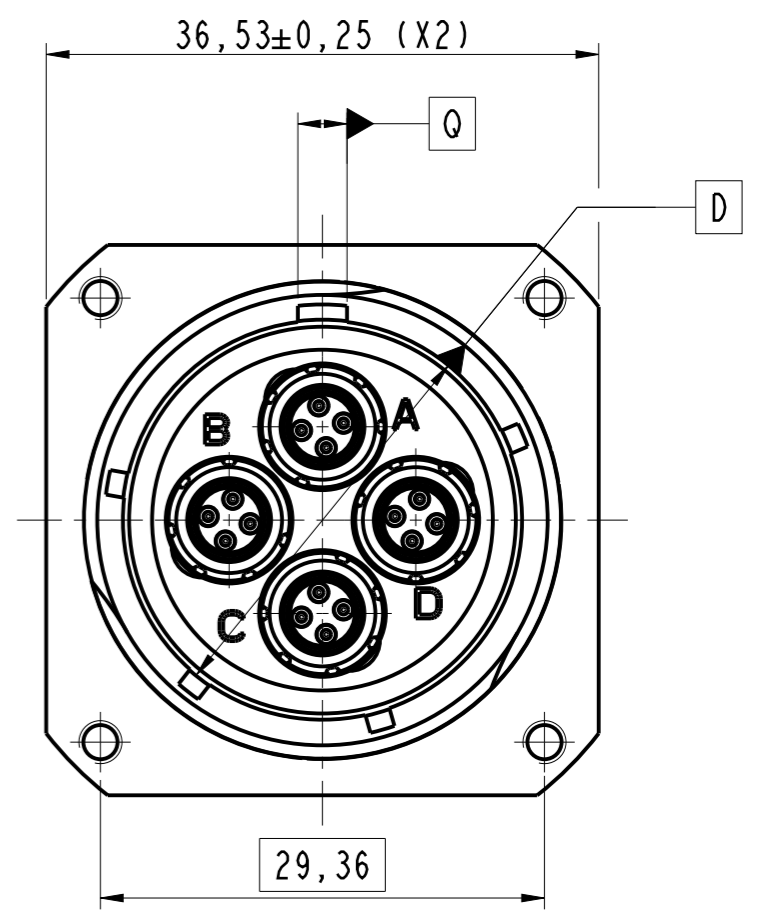
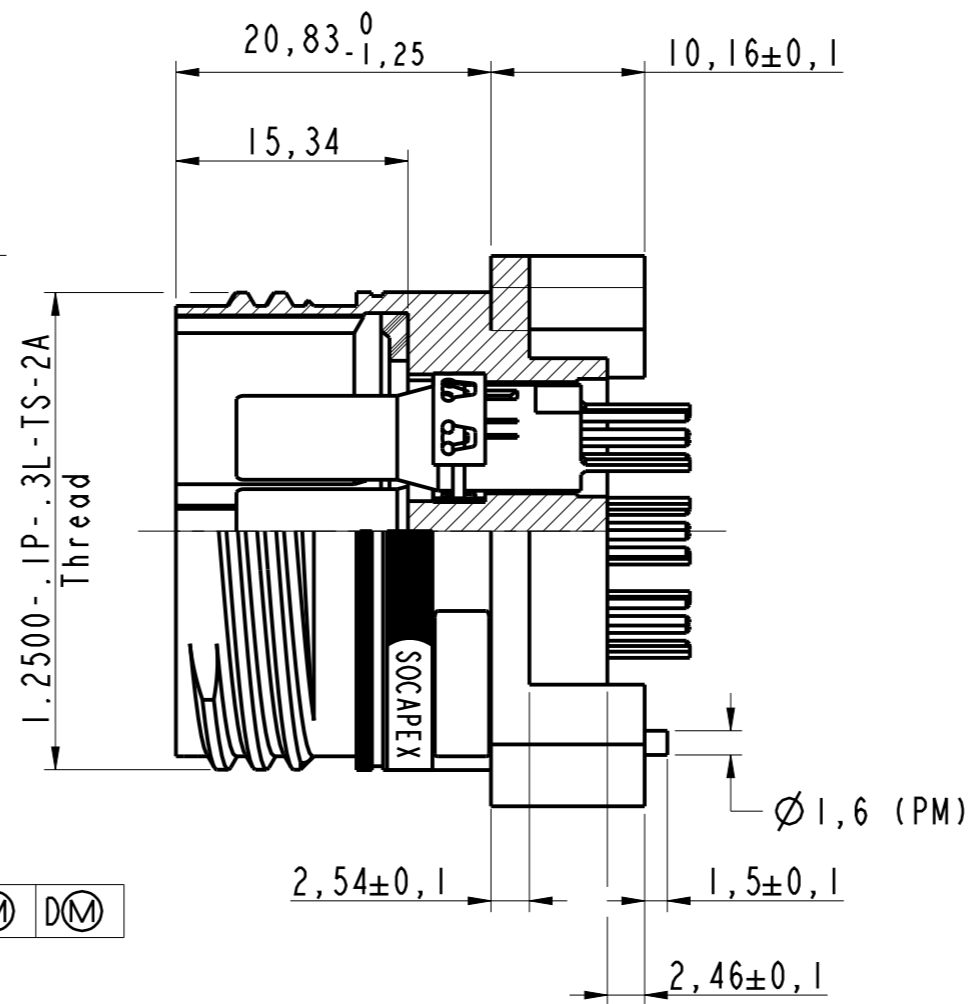
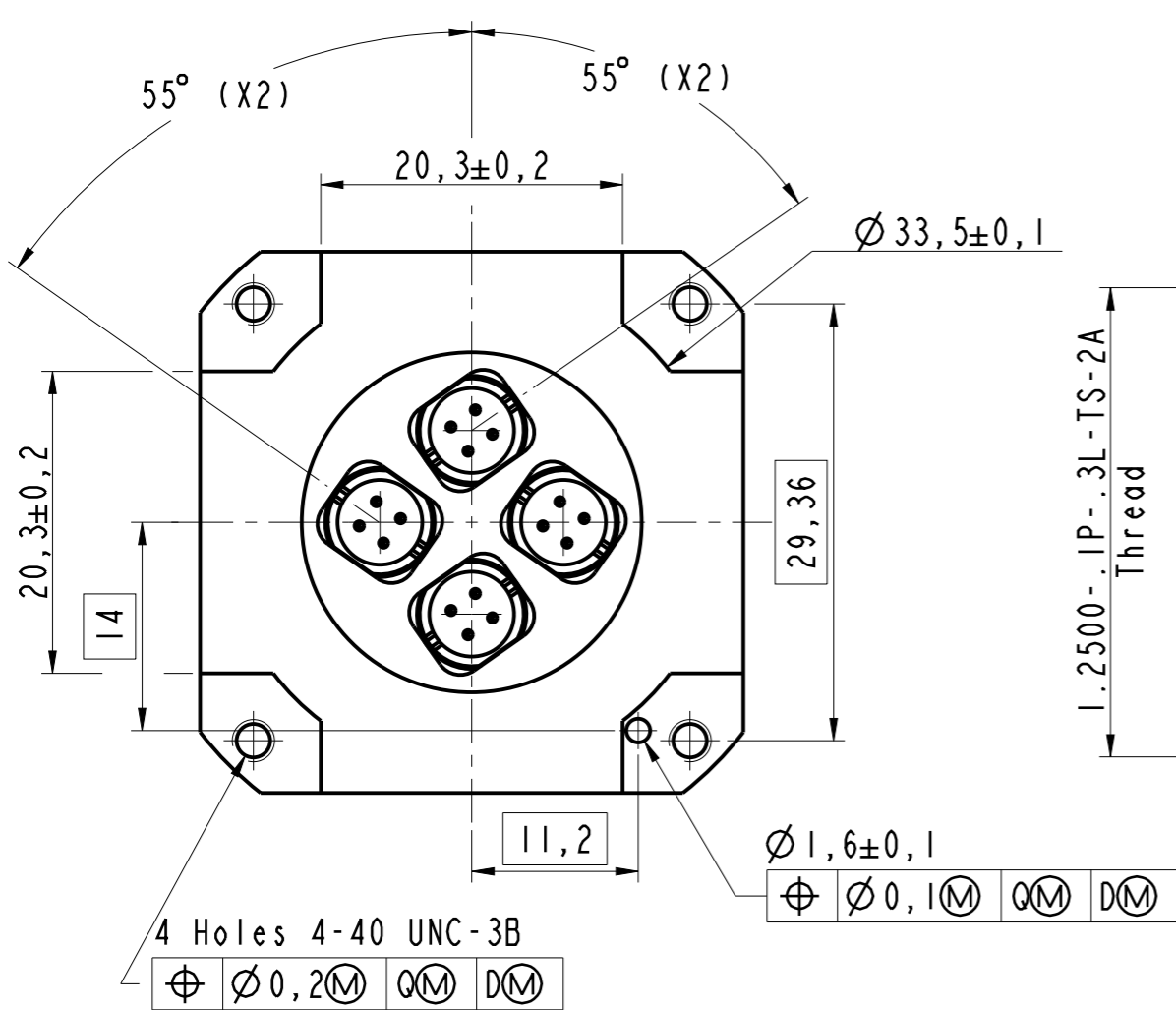


DANS LE BUT CONSTANT D'AMELIORER SES PRODUITS, Amphenol Socapex SE RESERVE LE DROIT D'EN MODIFIER TOUTE COTE OU CARACTERISTIQUE.
TMP 036 A

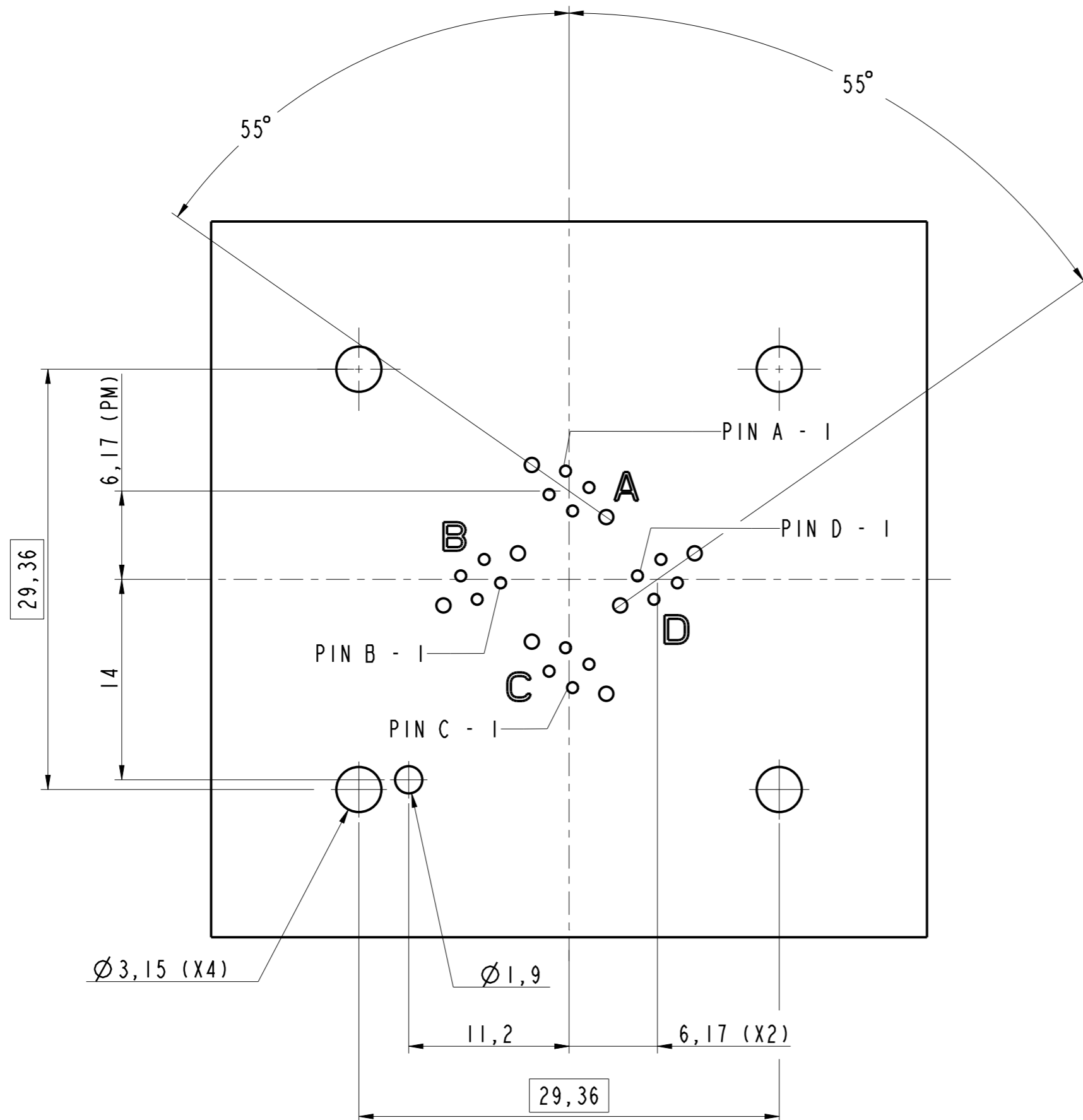


- Notes:
- This connector shall be equipped with Amphenol Socapex quadrax 603228
 - Connector:
 - 221632 delivered without contacts
 - 221633 delivered with contacts
 - Material and features:
 - Receptacle shell: Aluminum shell with nickel plating
 - Retention clip: Copper alloy with grounded feature
 - Main joint gasket: Fluorosilicone

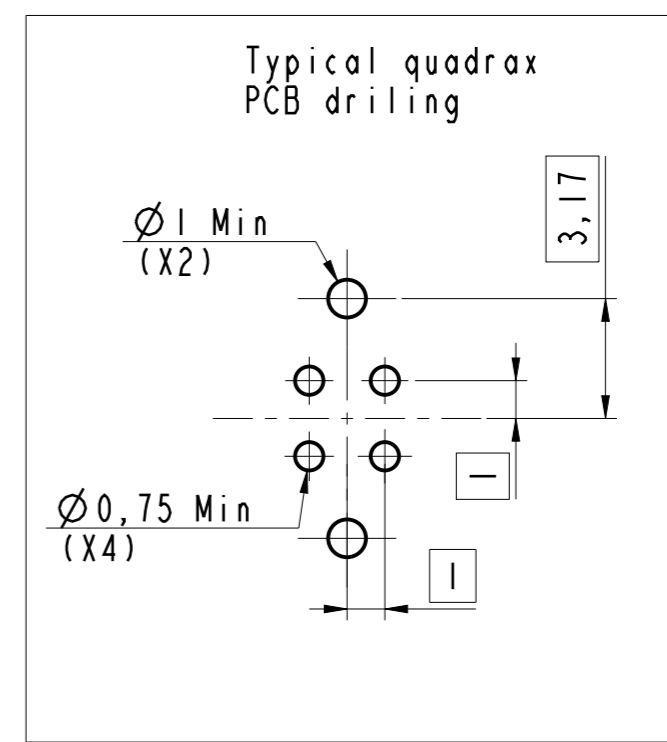
Receptacle TVP00 with 4 quadrax contacts PCB mount with stand-off

MODIFICATIONS	A	Plan original	ECHELLE	Amphenol Socapex BP 29 - 74311 THYEZ CEDEX	DESSIN: S.Holennavar LE:01/06/15
			2		TECHNIQUE: L.Lagrange LE:01/06/15
					A

DANS LE BUT CONSTANT D'AMELIORER SES PRODUITS, Amphenol Socapex SE RESERVE LE DROIT D'EN MODIFIER TOUTE COTE OU CARACTERISTIQUE.
TMP 036 A



Rep	X (mm)	Y (mm)
A	0	6,17
B	-6,17	0
C	0	-6,17
D	6,17	0



PCB layout
Top view

MODIFICATIONS	A	Plan original	ECHELLE

Amphenol Socapex
BP 29 - 74311 THYEZ CEDEX

DESSIN: S.Holennavar	LE:01/06/15
TECHNIQUE: L.Lagrange	LE:01/06/15
A	
173-PLC-1349-00	2/2